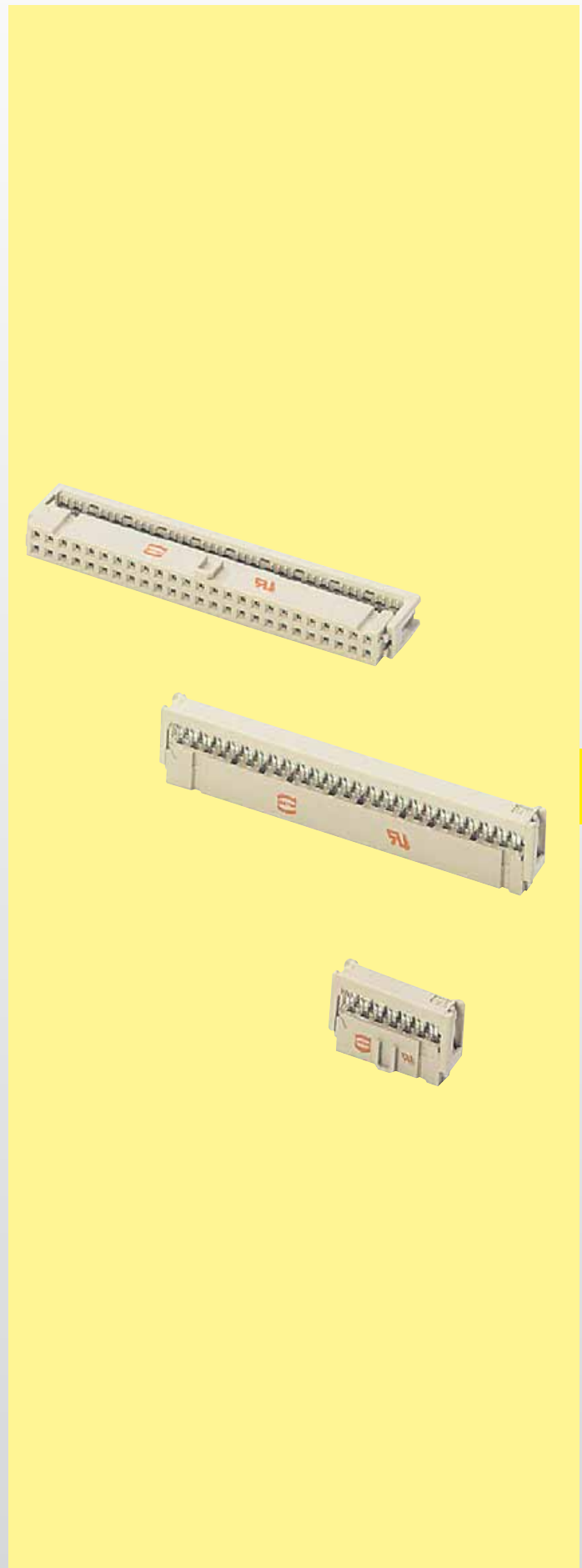


Number of contacts	6, 10, 14, 16, 20, 26, 30*, 34, 40, 50, 60, 64
Approvals	IEC 60 603-13 DIN EN 60 603-13 D 2632 BT 224 NFC 93-428 (HE 10) UL recognized: E102079 CSA: 98267 comply with MIL-C 83 503
Pitch	2.54 mm [0.100"]
Working current	1 A
Test voltage $U_{r.m.s.}$	1 kV
Contact resistance	$\leq 20 \text{ m}\Omega$
Insulation resistance	$\geq 10^9 \Omega$
Temperature range	-55 °C ... + 125 °C The maximum temperature includes heating of contacts and ambient temperature
Terminations	IDC flat cable: AWG 26/7 – AWG 28/7
Materials	
Moulding	Thermoplastic resin (PBTP) UL 94-V0
Contact surface ¹⁾	<u>Contact zone</u> : gold-plated according to performance level ¹⁾ <u>Termination zone</u> : tinned



¹⁾ Performance level 3 as per IEC 603-13, ≥ 50 mating cycles, no gas test
Performance level 2 as per IEC 603-13, ≥ 200 mating cycles, 4 days gas test
as per MIL-C 83 503, $> 0.76 \mu\text{m Au}$ (30 μ inch), other performance levels on request

* on request

Number of contacts

6-64

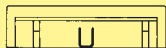


Female connector

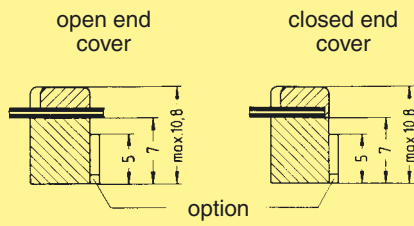
Identification No. of contacts Part No. Drawing Dimensions in mm

Female connector with central polarization

without strain relief clamp



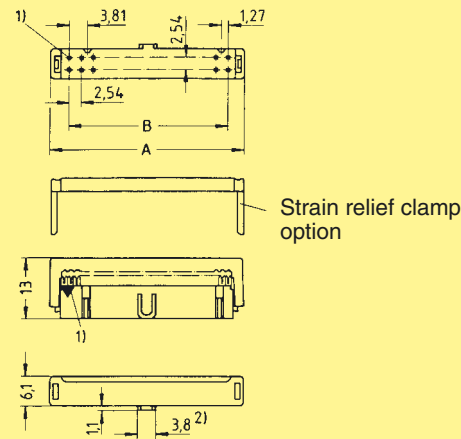
No. of contacts	open end cover	closed end cover
6	09 18 506 □ 803	09 18 506 □ 804
10	09 18 510 □ 803	09 18 510 □ 804
14	09 18 514 □ 803	09 18 514 □ 804
16	09 18 516 □ 803	09 18 516 □ 804
20	09 18 520 □ 803	09 18 520 □ 804
26	09 18 526 □ 803	09 18 526 □ 804
34	09 18 534 □ 803	09 18 534 □ 804
40	09 18 540 □ 803	09 18 540 □ 804
50	09 18 550 □ 803	09 18 550 □ 804
60	09 18 560 □ 803	09 18 560 □ 804
64	09 18 564 □ 803	09 18 564 □ 804



with strain relief clamp

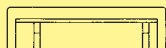


No. of contacts	open end cover	closed end cover
6	09 18 506 □ 813	09 18 506 □ 814*
10	09 18 510 □ 813	09 18 510 □ 814*
14	09 18 514 □ 813	09 18 514 □ 814*
16	09 18 516 □ 813	09 18 516 □ 814*
20	09 18 520 □ 813	09 18 520 □ 814*
26	09 18 526 □ 813	09 18 526 □ 814*
34	09 18 534 □ 813	09 18 534 □ 814*
40	09 18 540 □ 813	09 18 540 □ 814*
50	09 18 550 □ 813	09 18 550 □ 814*
60	09 18 560 □ 813	09 18 560 □ 814*
64	09 18 564 □ 813	09 18 564 □ 814*

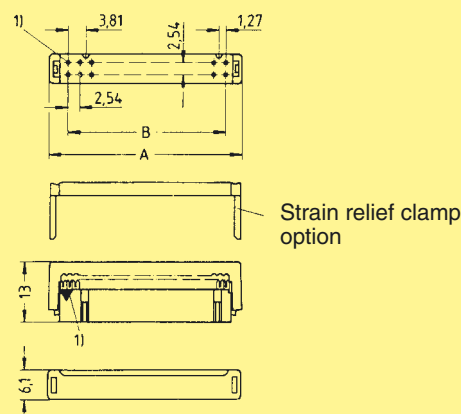


Female connector without central polarization

without strain relief clamp



No. of contacts	open end cover	closed end cover
10	09 18 510 □ 805*	09 18 510 □ 806*
14	09 18 514 □ 805*	09 18 514 □ 806*
16	09 18 516 □ 805*	09 18 516 □ 806*
20	09 18 520 □ 805*	09 18 520 □ 806*
26	09 18 526 □ 805*	09 18 526 □ 806*
34	09 18 534 □ 805*	09 18 534 □ 806*
40	09 18 540 □ 805*	09 18 540 □ 806*
50	09 18 550 □ 805*	09 18 550 □ 806*
60	09 18 560 □ 805*	09 18 560 □ 806*
64	09 18 564 □ 805*	09 18 564 □ 806*



with strain relief clamp



No. of contacts	open end cover	closed end cover
10	09 18 510 □ 815*	09 18 510 □ 816*
14	09 18 514 □ 815*	09 18 514 □ 816*
16	09 18 516 □ 815*	09 18 516 □ 816*
20	09 18 520 □ 815*	09 18 520 □ 816*
26	09 18 526 □ 815*	09 18 526 □ 816*
34	09 18 534 □ 815*	09 18 534 □ 816*
40	09 18 540 □ 815*	09 18 540 □ 816*
50	09 18 550 □ 815*	09 18 550 □ 816*
60	09 18 560 □ 815*	09 18 560 □ 816*
64	09 18 564 □ 815*	09 18 564 □ 816*

No. of contacts	6	10	14	16	20	26	34	40	50	60	64
A	12.2	17.3	22.4	24.9	30.0	37.6	47.8	55.4	68.1	80.8	85.9
B	5.08	10.16	15.24	17.78	22.86	30.48	40.64	48.26	60.96	73.66	78.74

Number of contacts

6-64



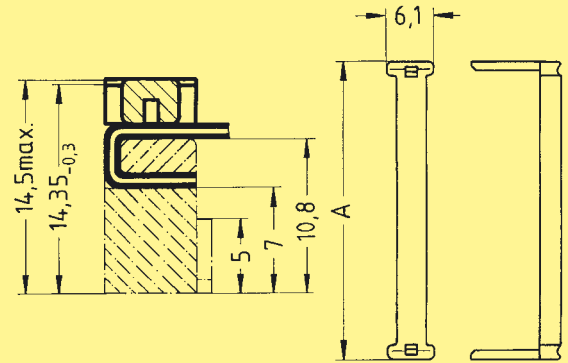
Strain relief clamp/Locking lever

Identification	No. of contacts	Part No.	Drawing	Dimensions in mm
----------------	-----------------	----------	---------	------------------

Strain relief clamp

6	09 18 506 9002
10	09 18 510 9002
14	09 18 514 9002
16	09 18 516 9002
20	09 18 520 9002
26	09 18 526 9002
34	09 18 534 9002
40	09 18 540 9002
50	09 18 550 9002
60	09 18 560 9002
64	09 18 564 9002

No. of contacts	A
6	12.2
10	17.3
14	22.4
16	24.9
20	30.0
26	37.6
34	47.8
40	55.4
50	68.1
60	80.8
64	85.9



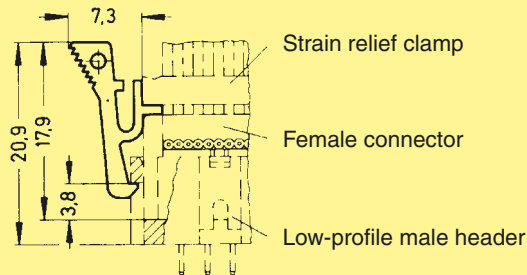
30 contacts on request

Locking lever for female connector

Only in conjunction with low-profile male header and strain relief

When the security of latching is required and space is a premium, these locking levers can be fitted onto the strain relief of the HARTING female connector. This can then be used in conjunction with male low profile headers (see pages 09.12 and 09.13).

09 18 000 9905¹⁾

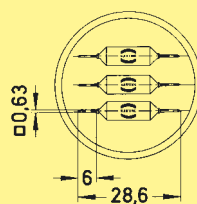


Coding system with loss of contact

To avoid cross-plugging adjacent connectors a coding system is required. A code pin is inserted into the appropriate cavity in the female connector. The corresponding male contact is removed by a special removal tool.

Code pin

09 18 000 9901²⁾



Removal tool for male contacts

09 99 000 0133



¹⁾ Order 2 per female connector
²⁾ Part No. comprises 6 code pins