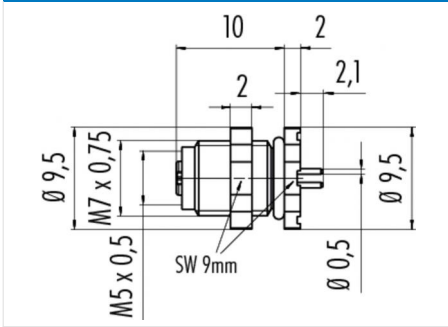


Product description	M5 female panel mount connector, Contacts: 4, not shielded, dip-solder, IP67
Area	M5 series 707
Order number	09 3112 81 04

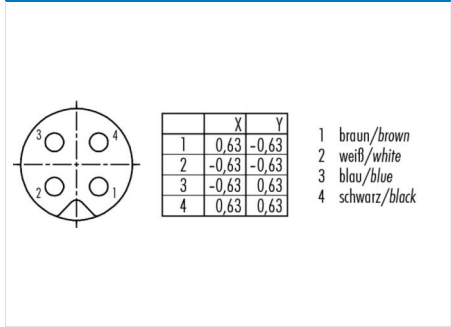
Illustration



Scale drawing



Contact arrangement



You can find the assembly instructions on the next page.

Technical data

General values

Connector design	female panel mount connector
Connector locking system	screw
Termination	dip-solder
Upper limit temperature	80 °C
Lower limit temperature	- 25 °C
Customs tariff number	85369010

Electrical values

Rated current (40 °C)	1 A
Rated voltage	60 V
Rated impulse voltage	800 V
Pollution degree	3
Overvoltage category	II
Insulating material group	I
Insulation resistance	> 10 ⁸ Ω
EMC compliance	not shielded
Degree of protection	IP67
Mechanical operation	> 100 Mating cycles

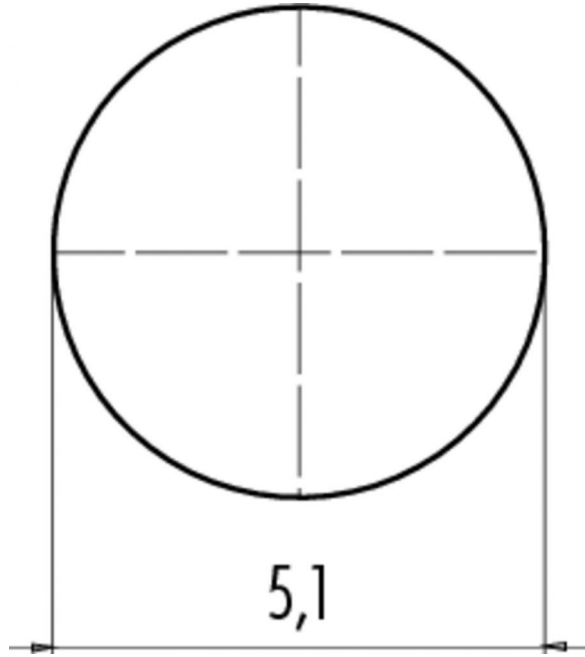
Material

Contact material	CuSn (bronze)
Contact plating	Au (gold)
Contact body material	PA

Product description **M5 female panel mount connector, Contacts: 4, not shielded, dip-solder, IP67**

Area **M5 series 707**
Order number **09 3112 81 04**

Assembly instructions / Panel cut-out



Product description	M5 female panel mount connector, Contacts: 4, not shielded, dip-solder, IP67
Area	M5 series 707
Order number	09 3112 81 04

Security notices

The connectors are designed for use in plant, control system and electrical equipment. The end user is responsible for checking whether the connectors are suitable for use in other applications. Connectors with degree of protection IP 67 and IP 68 are not suitable for use under water. When used outdoors, the connectors must be separately protected against corrosion. For further information about IP degrees of protection refer to 'Technical support' in the Download Centre.