

Product Male socket, solder termination
Area Snap-in connectors IP 40

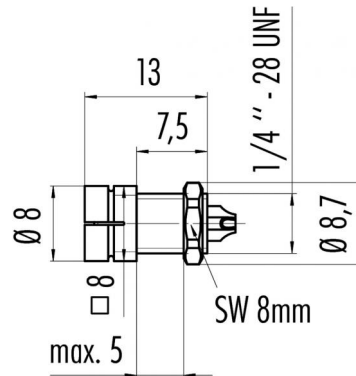
serie 709/719

Pole 3
Article number 09 9749 30 03

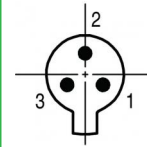
illustration



scale drawing



Contact Arrangement



	X	Y
1	1,20 - 0,70	
2	0,00	1,40
3	-1,20 - 0,70	

You can find the item description and assembly instruction on the next page.

Technical data

Common values

Connector Design	Male socket
Connector locking system	Snap-in locking
Termination	solder
Wire gauge (mm)	0,25 mm ²
Wire gauge (AWG)	24
Cable outlet	-
Upper temperature	+70 °C
Lower temperature	-25 °C

Electrical values

Rated voltage	60 V
Rated impulse voltage	800
Pollution degree	I
Overvoltage category	II
Material group	III
Rated current (40°C)	3 A
Volume resistivity	≤ 3 mΩ
EMV compliance	not shieldable
Degree of protection	IP 40
Mechanical operation	>100 mating cycles

Material

Material of contact	CuZn (brass)
Contact plating	Au (gold)
Material of contact body	PA
Material of housing	PA

Cable data

material housing	-
insulation single lead	-
single lead structure	-
conductor resistance	-

Contacts 3, Male socket, solder termination



Product Male socket, solder termination
Area Snap-in connectors IP 40

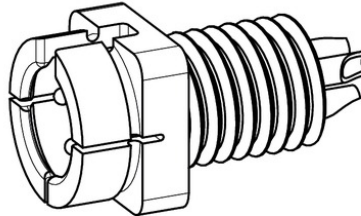
serie 709/719

Pole 3
Article number 09 9749 30 03

Date: 2014-10-05 - Page 2 of 2

Item description

Steckereinsatz
male insert



Sechskantmutter
hexagonal nut

Installation instructions / Mounting cutout

Ø 6,4

