

Product Area Adapter for sockets, front fastened
Snap-in connectors IP 40

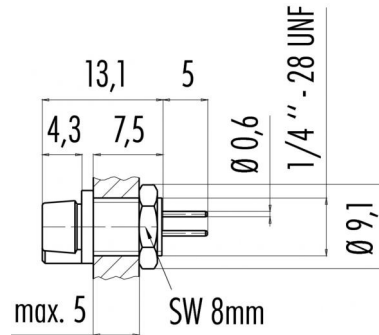
serie 709/719

Pole 4
Article number 09 9766 20 04

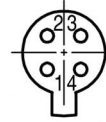
illustration



scale drawing



Contact Arrangement



	X	Y
1	-1,06	-1,06
2	-1,06	1,06
3	1,06	1,06
4	1,06	-1,06

You can find the item description and assembly instruction on the next page.

Technical data

Common values

Connector Design	Female socket
Connector locking system	Snap-in locking
Termination	dip solder
Wire gauge (mm)	-
Cable outlet	-
Upper temperature	+70 °C
Lower temperature	-25 °C

Electrical values

Rated voltage	60 V
Rated impulse voltage	800
Pollution degree	I
Overvoltage category	II
Material group	III
Rated current (40°C)	3 A
Volume resistivity	≤ 3 mΩ
EMV compliance	not shieldable
Degree of protection	IP 40
Mechanical operation	>100 mating cycles

Material

Material of contact	CuSn (bronze)
Contact plating	Au (gold)
Material of contact body	PA
Material of housing	PA

Cable data

material housing	-
insulation single lead	-
single lead structure	-
conductor resistance	-

Contacts 4, Female socket, dip solder termination



Product Area Adapter for sockets, front fastened
Snap-in connectors IP 40

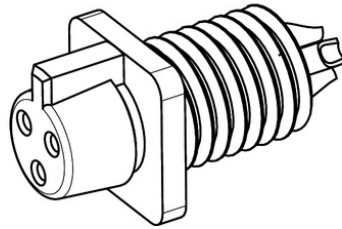
serie 709/719

Pole 4
Article number 09 9766 20 04

Date: 2014-10-05 - Page 2 of 2

Item description

Buchseneinsatz
female insert



Sechskantmutter
hexagonal nut

Installation instructions / Mounting cutout

