

Product Area Male socket, dip solder termination
Snap-in connectors IP 40

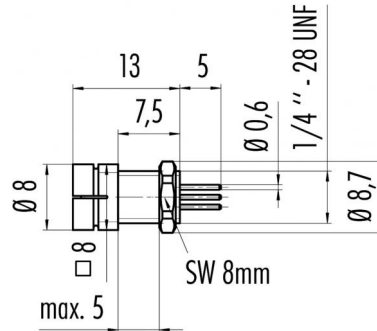
serie 709/719

Pole 5
Article number 09 9791 20 05

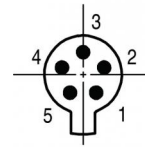
illustration



scale drawing



Contact Arrangement



	X	Y
1	0,88	-1,21
2	1,42	0,46
3	0,00	1,49
4	-1,42	0,46
5	-0,88	-1,21

You can find the item description and assembly instruction on the next page.

Technical data

Common values

Connector Design	Male socket
Connector locking system	Snap-in locking
Termination	dip solder
Wire gauge (mm)	-
Cable outlet	-
Upper temperature	+70 °C
Lower temperature	-25 °C

Electrical values

Rated voltage	60 V
Rated impulse voltage	800
Pollution degree	I
Overvoltage category	II
Material group	III
Rated current (40°C)	3 A
Volume resistivity	≤ 3 mΩ
EMV compliance	not shieldable
Degree of protection	IP 40
Mechanical operation	>100 mating cycles

Material

Material of contact	CuZn (brass)
Contact plating	Au (gold)
Material of contact body	PA
Material of housing	PA

Cable data

material housing	-
insulation single lead	-
single lead structure	-
conductor resistance	-

Contacts 5, Male socket, dip solder termination



Product Area Male socket, dip solder termination
Snap-in connectors IP 40

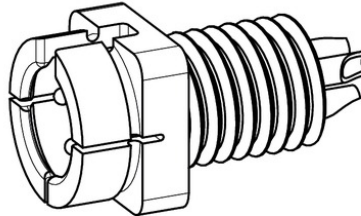
serie 709/719

Pole 5
Article number 09 9791 20 05

Date: 2014-10-05 - Page 2 of 2

Item description

Steckereinsatz
male insert



Sechskantmutter
hexagonal nut

Installation instructions / Mounting cutout

Ø 6,4

