



TE Internal #: 1-1337430-0

RF Connectors, BNC RF Interface, Plug, RF Connector Mated Outer Diameter (Approximate) .572 in [14.53 mm], 50 Ω

[View on TE.com >](#)

Connectors > RF Coax Connectors > RF Connectors



RF Interface: **BNC**

RF Connector Style: **Plug**

RF Connector Mated Outer Diameter (Approximate): **14.53 mm [.572 in]**

Impedance: **50 Ω**

Compatible With RF Cable Type: **Raychem 5026A1318, Raychem 5026A1331, Raychem 5026A1631, Raychem 5026C1309, Raychem 5026D1028, Raychem 5026D1424, Raychem CLFH-316, Raychem EPD 26995Q, RG 174A, RG 188A, RG 316, URM 95**

Features

Product Type Features

RF Interface	BNC
RF Connector Style	Plug
Compatible With RF Cable Type	Raychem 5026A1318, Raychem 5026A1331, Raychem 5026A1631, Raychem 5026C1309, Raychem 5026D1028, Raychem 5026D1424, Raychem CLFH-316, Raychem EPD 26995Q, RG 174A, RG 188A, RG 316, URM 95
Connector System	Cable-to-Cable
Sealable	Yes
Connector & Contact Terminates To	Wire & Cable
Connector Seal Type	Gasket

Configuration Features

Number of Positions	1
Number of Coaxial Contacts	1

Electrical Characteristics

Impedance	50 Ω
-----------	------

Body Features

Body Insulation	With
Cable Connector Orientation	Straight



Body Material	Brass
---------------	-------

Body Plating Material	Silver
-----------------------	--------

Contact Features

Crimp Type	Hex
------------	-----

RF Connector Center Contact Plating Material	Silver
--	--------

RF Connector Center Contact Material	Brass
--------------------------------------	-------

Termination Features

Termination Method to Wire & Cable	Crimp
------------------------------------	-------

Mechanical Attachment

RF Connector Coupling Mechanism	Bayonet
---------------------------------	---------

RF Contact Captivation Method	Mechanical
-------------------------------	------------

Detent	Without
--------	---------

Dimensions

RF Connector Mated Outer Diameter (Approximate)	14.53 mm [.572 in]
---	--------------------

Usage Conditions

Operating Temperature Range	-65 – 165 °C [-85 – 329 °F]
-----------------------------	-----------------------------

Operation/Application

Operating Frequency	4 GHz
---------------------	-------

Packaging Features

Packaging Quantity	50
--------------------	----

Packaging Method	Box
------------------	-----

Other

Grade	Professional
-------	--------------

Gasket Material	Silicone Rubber
-----------------	-----------------

Coupling Nut Base Material	Brass
----------------------------	-------

Dielectric Material	PTFE
---------------------	------

Product Compliance

[For compliance documentation, visit the product page on TE.com>](#)

EU RoHS Directive 2011/65/EU	Compliant with Exemptions
------------------------------	---------------------------

EU ELV Directive 2000/53/EC	Compliant with Exemptions
-----------------------------	---------------------------

China RoHS 2 Directive MIIT Order No 32, 2016	Restricted Materials Above Threshold
---	--------------------------------------

EU REACH Regulation (EC) No. 1907/2006

Current ECHA Candidate List: JAN 2021 (211)

Candidate List Declared Against: JAN 2021 (211)

SVHC > Threshold:

Pb (4% in Component Part)

Article Safe Usage Statements:

Do not eat, drink or smoke when using this product. Wash thoroughly after handling. Recycle if possible and dispose of the article by following all applicable governmental regulations relevant to your geographic location.

Halogen Content

Low Halogen - Br, Cl, F, I < 900 ppm per homogenous material. Also BFR/CFR/PVC Free

Solder Process Capability

Not applicable for solder process capability

Product Compliance Disclaimer

This information is provided based on reasonable inquiry of our suppliers and represents our current actual knowledge based on the information they provided. This information is subject to change. The part numbers that TE has identified as EU RoHS compliant have a maximum concentration of 0.1% by weight in homogenous materials for lead, hexavalent chromium, mercury, PBB, PBDE, DBP, BBP, DEHP, DIBP, and 0.01% for cadmium, or qualify for an exemption to these limits as defined in the Annexes of Directive 2011/65/EU (RoHS2). Finished electrical and electronic equipment products will be CE marked as required by Directive 2011/65/EU. Components may not be CE marked. Additionally, the part numbers that TE has identified as EU ELV compliant have a maximum concentration of 0.1% by weight in homogenous materials for lead, hexavalent chromium, and mercury, and 0.01% for cadmium, or qualify for an exemption to these limits as defined in the Annexes of Directive 2000/53/EC (ELV). Regarding the REACH Regulation, the information TE provides on SVHC in articles for this part number is based on the latest European Chemicals Agency (ECHA) 'Guidance on requirements for substances in articles' posted at this URL: <https://echa.europa.eu/guidance-documents/guidance-on-reach>

Compatible Parts



TE Part # 1052534-1
2052 1300 02



TE Part # 1051081-1
2006 7941 00



TE Part # 1050854-1
2002 5015 00



TE Part # 1052522-1
2052 1201 00,SMA FM JACK RECPT



TE Part # 1052523-1
2052 1201 02,SMA FM JACK RECPT



TE Part # 1051005-1
2004 7641 02



TE Part # 1051052-1
2006 5013 00



TE Part # 1052422-1
2052 0000 02,SMA FM JACK RECPT



TE Part # 1052349-1
2051 1352 02,SMA FM PLUG RECPT



TE Part # 1052518-1
2052 1200 02

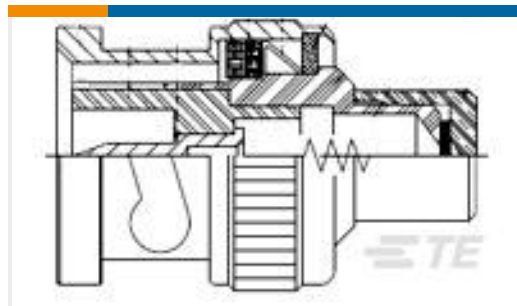


TE Part # 9-1478245-0
PRO-C HEX DIE PSF1/7

Customers Also Bought



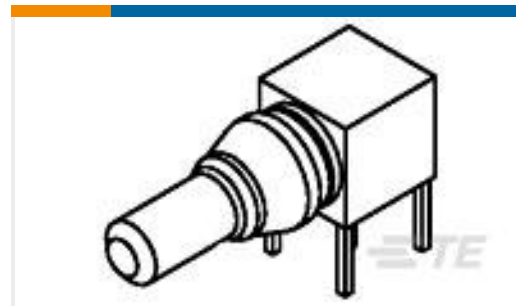
TE Part #1-1478996-6
Cable Boot Black RG174, 179, 187, 188, 3



TE Part #1-1337463-0
BNC Plg Term 50Ohm Silver Pltd



TE Part #T4112011031-000
M12 F, 3P GOLD A_CODE RA SHIELDED PG7



TE Part #1-1393589-8
C42334A 347A102=HS-STECKER



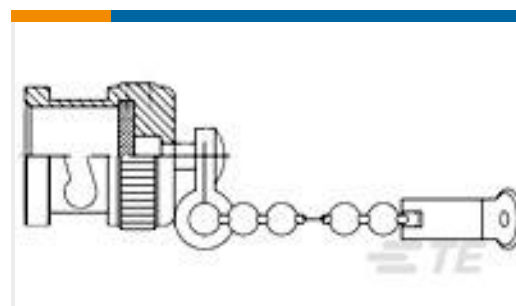
TE Part #1-1478046-0
BNC BH Adp JJ 50Ohm Silver Plt



TE Part #1-1337548-0
BNC RM BHJ Hex 50Ohm Nickel Pltd RG174A/



TE Part #1-1337477-0
SMB Str Jk Hex 50Ohm Gold Pltd RG174A/U,



TE Part #1-1337524-0
BNC Plg DCap & Chn Nickel Pltd



TE Part #1-2176215-9
CPF A 0402 3K9 0.1% 25PPM 1K RL



TE Part #1-1337457-0
BNC Str Adp JJ 50Ohm Silver Pltd

Documents

Product Drawings

[BNC Str Plg Hex 50Ohm Silver Pltd RG174A](#)

English

Product Specifications

[Economy RF Coaxial Connectors](#)

English

[Product Specification](#)

English

1-1337430-0

RF Connectors, BNC RF Interface, Plug, RF Connector Mated Outer Diameter
(Approximate) .572 in [14.53 mm], 50 Ω

