

1-1337480-0 ✓ ACTIVE



TE Internal #: 1-1337480-0

RF Connectors, SMB RF Interface, Jack, RF Connector Mated Outer Diameter (Approximate) .187 in [4.75 mm], 50 Ω , Snap-On, 4GHz Operating Frequency

[View on TE.com >](#)

Connectors > RF Coax Connectors > RF Connectors



RF Interface: **SMB**

RF Connector Style: **Jack**

RF Connector Mated Outer Diameter (Approximate): **4.75 mm [.187 in]**

Impedance: **50 Ω**

RF Connector Coupling Mechanism: **Snap-On**

Features

Product Type Features

Connector Product Type	Connector Assembly
RF Interface	SMB
RF Connector Style	Jack
Connector System	Cable-to-Panel
Sealable	No
Connector & Contact Terminates To	Wire & Cable

Configuration Features

Number of Positions	1
Number of Coaxial Contacts	1

Electrical Characteristics

Impedance	50 Ω
-----------	-------------

Body Features

Body Shape	Hexagonal
Cable Connector Orientation	Straight
Body Material	Brass
Body Plating Material	Gold

Contact Features

RF Connector Center Contact Plating Material	Gold
--	------



RF Connector Center Contact Material	Brass
--------------------------------------	-------

Termination Features

Termination Method to Wire & Cable	Crimp
------------------------------------	-------

Mechanical Attachment

Panel Attachment Style	Front Mount
------------------------	-------------

Panel Mount Feature Type	Hex Nut
--------------------------	---------

RF Connector Coupling Mechanism	Snap-On
---------------------------------	---------

Connector Mounting Type	Panel Mount
-------------------------	-------------

RF Contact Captivation Method	Mechanical
-------------------------------	------------

Detent	Without
--------	---------

Dimensions

Flats Dimension	6.0 A/F
-----------------	---------

Panel Cutout	4.9 x 4.5 D-Shape
--------------	-------------------

Panel Thickness (Recommended)	2.4 mm [.094 in]
-------------------------------	------------------

Product Length	14.2 mm [.559 in]
----------------	-------------------

RF Connector Mated Outer Diameter (Approximate)	4.75 mm [.187 in]
---	-------------------

Usage Conditions

Operating Temperature Range	-65 – 165 °C [-85 – 329 °F]
-----------------------------	-----------------------------

Operation/Application

Operating Frequency	4 GHz
---------------------	-------

Packaging Features

Packaging Quantity	100
--------------------	-----

Packaging Method	Tray
------------------	------

Other

Grade	Professional
-------	--------------

Lockwasher Plating Material	Gold
-----------------------------	------

Lockwasher Material	Brass
---------------------	-------

Additional Features	Pin Protection
---------------------	----------------

Dielectric Material	PTFE
---------------------	------

Product Compliance

[For compliance documentation, visit the product page on TE.com>](#)

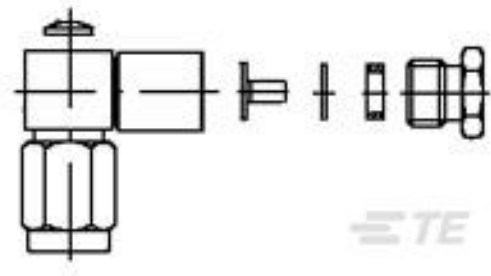


EU RoHS Directive 2011/65/EU	Not Compliant
EU ELV Directive 2000/53/EC	Compliant with Exemptions
China RoHS 2 Directive MIIT Order No 32, 2016	Restricted Materials Above Threshold
EU REACH Regulation (EC) No. 1907/2006	<p>Current ECHA Candidate List: JUN 2020 (209)</p> <p>Candidate List Declared Against: JUN 2020 (209)</p> <p>SVHC > Threshold:</p> <p>Pb (3% in Component Part)</p> <p>Article Safe Usage Statements: Do not eat, drink or smoke when using this product. Wash thoroughly after handling. Recycle if possible and dispose of the article by following all applicable governmental regulations relevant to your geographic location.</p>
Halogen Content	Low Bromine/Chlorine - Br and Cl < 900 ppm per homogenous material. Also BFR /CFR/PVC Free
Solder Process Capability	Wave solder capable to 265°C

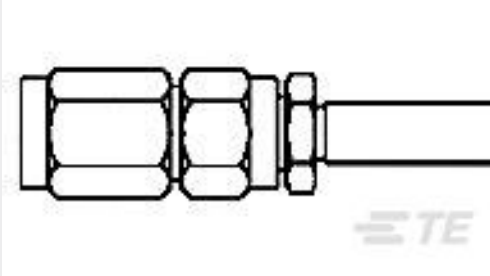
Product Compliance Disclaimer

This information is provided based on reasonable inquiry of our suppliers and represents our current actual knowledge based on the information they provided. This information is subject to change. The part numbers that TE has identified as EU RoHS compliant have a maximum concentration of 0.1% by weight in homogenous materials for lead, hexavalent chromium, mercury, PBB, PBDE, DBP, BBP, DEHP, DIBP, and 0.01% for cadmium, or qualify for an exemption to these limits as defined in the Annexes of Directive 2011/65/EU (RoHS2). Finished electrical and electronic equipment products will be CE marked as required by Directive 2011/65/EU. Components may not be CE marked. Additionally, the part numbers that TE has identified as EU ELV compliant have a maximum concentration of 0.1% by weight in homogenous materials for lead, hexavalent chromium, and mercury, and 0.01% for cadmium, or qualify for an exemption to these limits as defined in the Annexes of Directive 2000/53/EC (ELV). Regarding the REACH Regulation, the information TE provides on SVHC in articles for this part number is based on the latest European Chemicals Agency (ECHA) 'Guidance on requirements for substances in articles' posted at this URL: <https://echa.europa.eu/guidance-documents/guidance-on-reach>

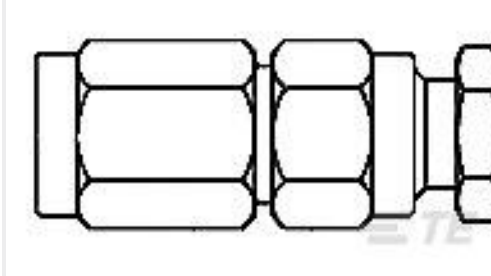
Compatible Parts



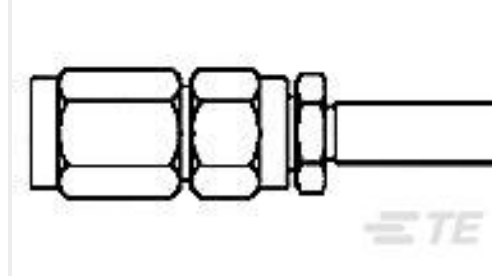
TE Part # 1060183-1
5007 5008 09



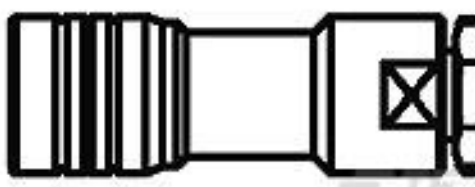
TE Part # 1060221-1
5031 5014 09



TE Part # 1060163-1
5001 5015 09



TE Part # 1060220-1
5031 5007 09



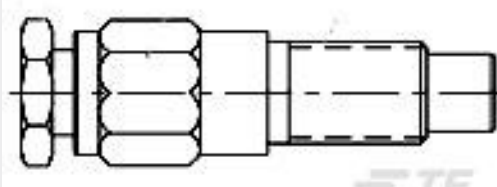
TE Part # 1-1337475-0
SMB Str Plg PS 50Ohm Gold Pltd
RG174A/U,



TE Part # 1060412-1
5137 5010 09



TE Part # 1060368-1
5131 5007 09,SMB CABLE PLUG



TE Part # 1311638-1
C65E06G022X



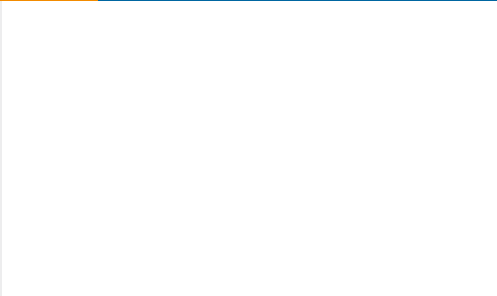
TE Part # 414002-7
PLUG,CABLE,RTANG,SMB,NI PLTD




TE Part # 619203-1
COAX, SERIES SMB RA PLUG, 50 O



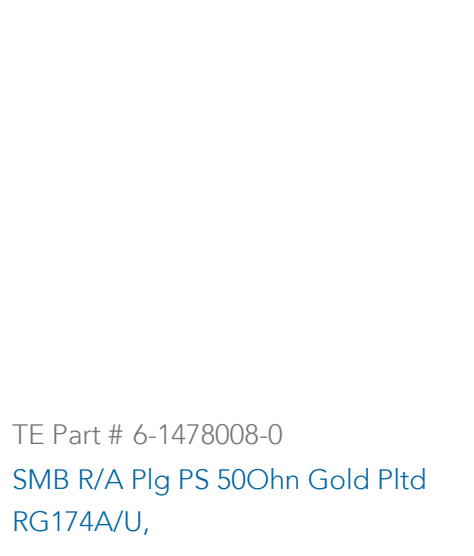
TE Part # 6-1337478-0
SMB R/A Plg Hex 50Ohm Gold Plated
RG174A



TE Part # 6-1337597-0
SMB Str Plg Hex 50Ohm Gold Pltd
RG174A/U



TE Part # 6-1337600-0
SMB R/A Plg Hex 50Ohm Gold Pltd
RG178B/U



TE Part # 6-1478008-0
SMB R/A Plg PS 50Ohm Gold Pltd
RG174A/U,

Customers Also Bought



TE Part #4-1625999-0
Power Resistor: Aluminum Housed,
HSC



TE Part #2-323916-1
PIDG RING TONGUE TERMINALS



TE Part #1-480283-0
08P CMNL PLUG HSG M/M NATL



TE Part #60620-4
CMNL PIN 20-14 TPPHBZ L/P



TE Part #2176330-3
CRGP 2010 15R 1%



TE Part #1614349-7
RN 0603 10K5 0.1% 10PPM CUT
LENGTH



TE Part #1623551-1
CRG1206 1% 68R



TE Part #6-1614350-4
RN 0603 17K8 0.1% 10PPM CUT
LENGTH



Documents

Product Drawings

[SMB FM BHSkt 50Ohm Gold Pltd](#)

English

CAD Files

[3D PDF](#)

3D

Customer View Model

[ENG_CVM_CVM_1-1337480-0_C.2d_dxf.zip](#)

English

Customer View Model

[ENG_CVM_CVM_1-1337480-0_C.3d_igs.zip](#)

English

Customer View Model

[ENG_CVM_CVM_1-1337480-0_C.3d_stp.zip](#)

English

By downloading the CAD file I accept and agree to the [Terms and Conditions](#) of use.

Datasheets & Catalog Pages

[SMB Connectors](#)

English