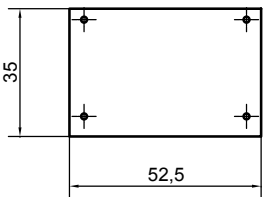
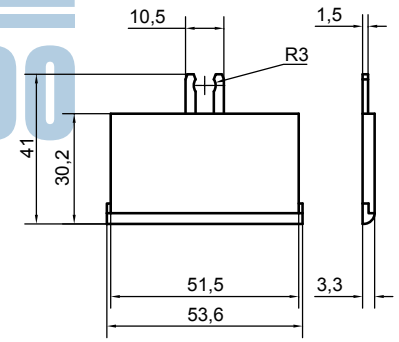
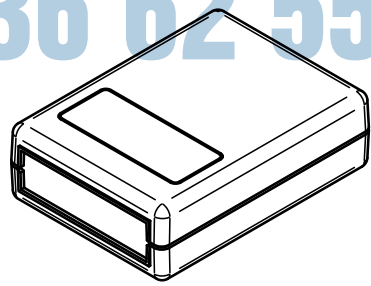


PCB MAX SIZE



www.technik  
elektronika  
Tel.: +36 62 554-600



	Denomination	Assembly 10005-B		Part. Number	10005-B
	Subject to technical modification without prior notice. Tipographical and other errors do not justify any claim for damages. All dimensions should be verified using an actual moulded part.				
	This document contains proprietary information TEKO S.p.a. and is tendered subject to the conditions that the information be retained in confidence not be reproduced or copied and not be used or incorporated in any product.				Rev. Index 18/11/2005
					Scale A2