



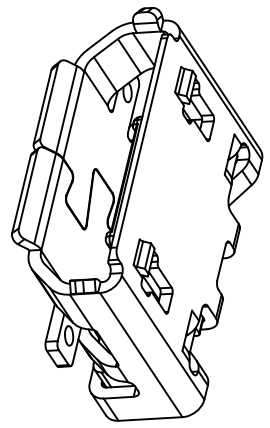
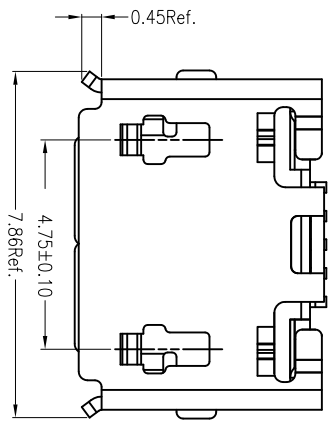
Copyright FCI



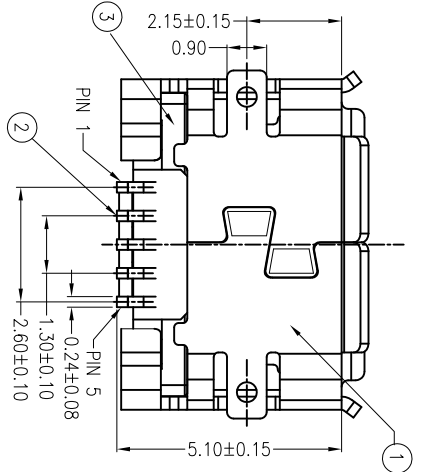
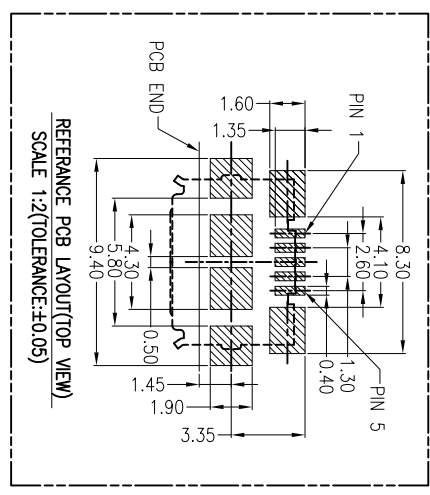
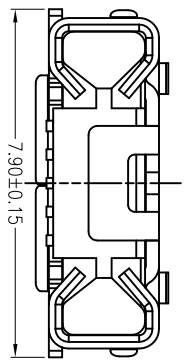
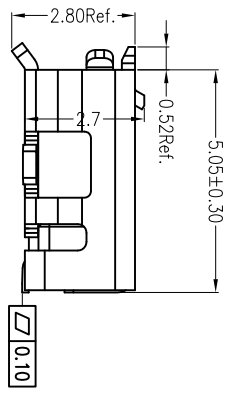
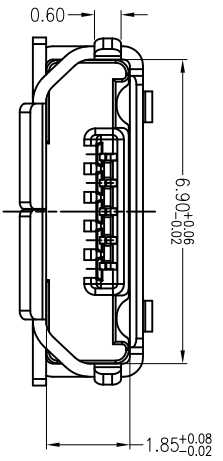
FCIconnect.com



PART NUMBER
10118192-0001LF



- NOTES:
1. MATERIAL:
HOUSING: HIGH THERMOPLASTIC RESIN, UL94V-0, COLOR: BLACK
TERMINAL: COPPER ALLOY
SHELL: STAINLESS
 2. FINISH:
CONTACT AREA: GOLD PLATED
CONTACT SOLDER AREA: GOLD FLASH
SHELL: MATTE TIN PLATED
UNDER NICKEL PLATED ALL OVER.
 3. PRODUCT SPECIFICATION: GS-12-641.
 4. PACKAGING SPECIFICATION: GS-14-2180.
 5. THE "LF" MEANS FOR LEAD FREE AND CAN WITHSTAND EXPOSE TO 260°C PEAK TEMPERATURE FOR 10 SECONDS IN IR REFLOW PROCESS.



Item	Title	QTY
1	Shell	1
2	Terminal	5
3	InsertMolding	1

mat'l. code		surface		tolerance		projection		product family	
lfr	ecp no	dr	date	ASME Y14.5	ASME Y14.5	ASME Y14.5	ASME Y14.5	title	USB
A	LS	10/21/11		tolerances unless otherwise specified				MICRO USB B TYPE RECEPTACLE	
				angles	g	.X±0.38	MM	dwg no	10118192
				X°±2°	g	.XX±0.25	scale	sheet 1 of 1	A4
				dr	JASON HSU	05/21/11			
				engr	JASON HSU	05/21/11			
				chr	JASON HSU	05/21/11			
				appd	GARY HSEH	05/21/11			
Sheet Index	revision	A							
	Sheet	1							