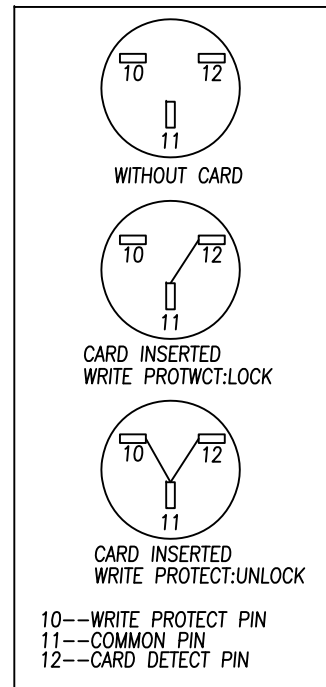
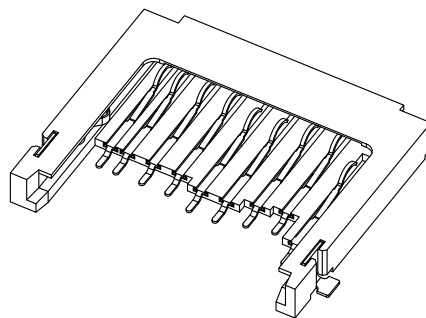


SD CARD PIN DESIGN

Pin No.	Name	Description
1#	CD/DAT3	Card detect/Data I/O
2#	CMD	Command
3#	VSS1	Ground
4#	VDD	Power
5#	CLK	Clock
6#	VSS2	Ground
7#	DAT0	Data I/O
8#	DAT1	Data I/O
9#	DAT2	Data I/O



- MATERIAL**
HOUSING: HIGH TEMPERATURE THERMOPLASTIC.
CONTACT: COPPER ALLOY.
SHELL: COPPER ALLOY.
- PLATING**
CONTACT AREA: 3u" and 10u" GOLD PLATED OVER Ni.
SOLDER TAIL: 100 u" MIN Sn PLATED OVER Ni.
SHELL SOLDER AREA: GOLD PLATED OVER Ni.
CONTACT NUMBER: 9 PIN
- RATING**
CURRENT RATING: 0.5A
VOLTAGE RATING: 250VRM
OPERATING TEMPERATURE: -25°C~90°C
- SPECIFICATION**
CONTACT RESISTANCE: 100mΩ Max
DIELECTRIC WITHSTANDING VOLTAGE: 500VAC
INSULATION RESISTANCE: 100MΩ Min
INSERTION FORCE: 40N MAX.
SEPARATION FORCE: 2N MIN.

104B-T X A 0-R
1 2 3 4

1.Type
T:TOP Mount
3.Stand Off
A:0mm

2.Contact Plating
A:10u"Gold Plating
B:3u" Gold Plating
4.ROHS

UNLESS OTHERWISE SPECIFIED TOLERANCE	
ANG.	±5°
0.	±
.0	±0.25
.00	±0.20
SCALE: AS SHOWN	UNIT: mm
DRAWN willis	2007/1/18
CHECKED	/ /
APPROVED	/ /
DATE	SIZE A4



ATTEND TECHNOLOGY INC.

www.attend.com.tw

DRAWN NAME:	SD Socket Top Mount
PRODUCT NO.	104B-TXA0-R
FILE NAME:	104B-TXA0-R

REV.	DESCRIPTION	DATE	SIZE	REV.
1			A4	