



Optional parts to the cap series:

- **Spacer** improves activation and sealing functionality (necessity dependent on front panel thickness and design considerations)
- **Sealing** is only necessary when front panel sealing (IP67) is required.

The cap series is designed to be flush with the front plate to give a neat and aesthetic look. Caps can also be front panel sealed to IP67.

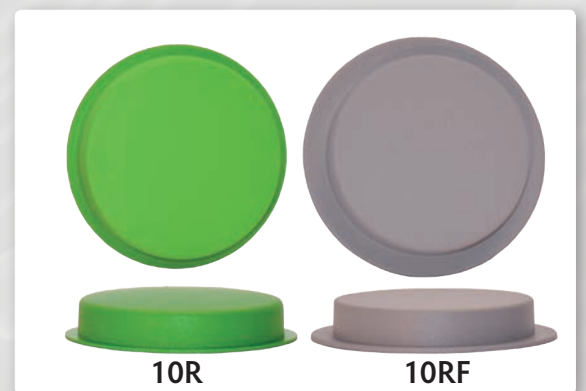
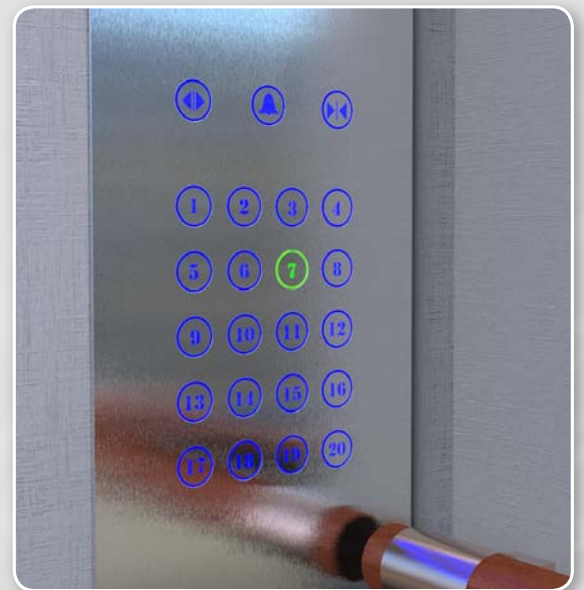
10R/10RF/10RM provide many options regarding illumination. As LEDs need to be placed on the PCB to have an even illumination, it is easy to customise your design.











There is full illumination with frosted white 10R and 10RF caps, and legend illumination with either reverse-printed 10R and 10RF or metal legend on 10RM. In case of the legend illumination, there is a ring illumination acting as a light guide.

10R/10RF/10RM cap series is based on Multimec® 5G series PCB mounted single pole momentary switches that have 10 million operating cycles, three standard actuation forces (2.0, 3.5, 6.5N and 2.0N quiet), sealed to IP67 and can handle more than 100N robustness. The 5G switches have two function options: normal open or normal closed/normal open.

The 10R/10RF/10RM series are **30mm round caps** with a low total height of 11mm:

- **10R** has a slightly rounded top.
- **10RF** has a flat top with slightly sharper edges.
- **10RM** has a flat top with a metal plate that leaves a 1mm rim.



Standard legend options for 10R/10RF/10RM				
				
				

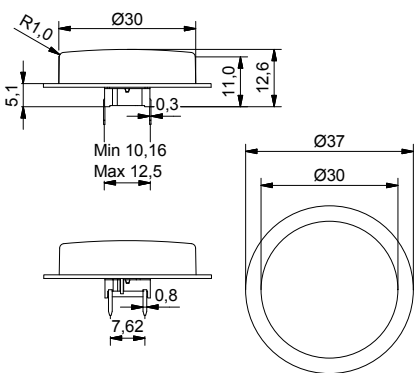


- Option of having IP67 front panel sealing
  - Ø30 mm; h =11 mm
  - Material: ABS/polycarbonate
  - Temp. Range:
    - Solid cap: -40/+65°C
    - Transparent cap: -40/+85°C
  - Panel cut-out: 10R/10RF/10RM-Ø30.6
  - Height of the spacer=3.9mm (designed for 2mm front panel)
- Cap series is based on Multimec 5G switch:
    - TH or SMD
    - Momentary/single pole
    - 10,000,000 operations
    - Actuations force: 2.0N, 3.5N 6.5N or 2.0N quiet
    - Temp. range: -40/+160°C
    - IP 67 sealing
    - NO or NC/NO

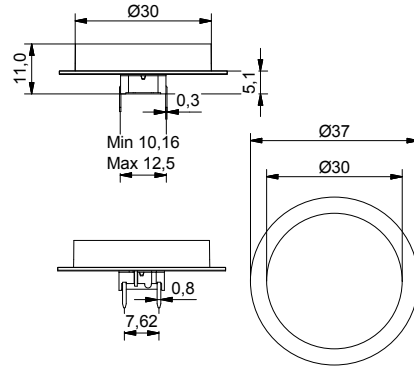
All dimensions in mm

## DIMENSIONS

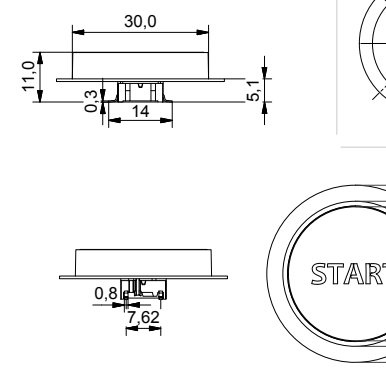
### TH + 10R



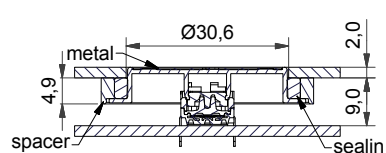
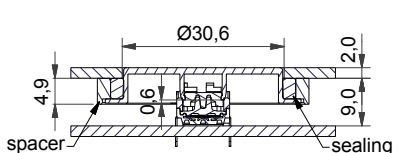
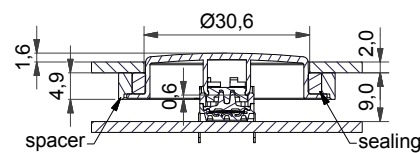
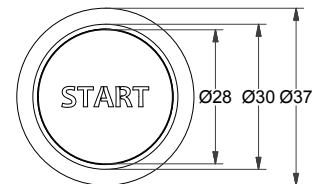
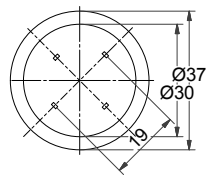
### TH + 10RF



### SMD w/LED + 10RM



## PLACEMENT OF LEDS ON PCB



## ILLUMINATED - HOW TO ORDER

Switch	Mounting	Actuation force	LED	Cap	Sealing	Colour code	Spacer
5 G	<input type="checkbox"/> <input type="checkbox"/> <input type="checkbox"/>	<input type="checkbox"/> <input type="checkbox"/>	<input type="checkbox"/> <input type="checkbox"/> <input type="checkbox"/> <input type="checkbox"/> +	<input type="checkbox"/> <input type="checkbox"/> <input type="checkbox"/> <input type="checkbox"/>	<input type="checkbox"/> <input type="checkbox"/> <input type="checkbox"/> <input type="checkbox"/>	<input type="checkbox"/> <input type="checkbox"/> <input type="checkbox"/> <input type="checkbox"/>	+ <input type="checkbox"/> <input type="checkbox"/> <input type="checkbox"/> <input type="checkbox"/> <input type="checkbox"/> <input type="checkbox"/>
	TH9 through-hole SH9 surface mount	20 35 65 Q*	01 blue 22 green 42 yellow 61 white 82 red 2242 green/yellow 8222 red/green 8242 red/yellow	10R 10RF 10RM	W sealing optional	16 frosted white	optional 
Legend options:							
			017 ON/OFF	048 CANCEL	118 OK		
			018 STOP	054 +	123		
			031 START	059 -			
			038 RESET	105 ENTER			

\*For an illuminated quiet 2.0N switch add Q to the end of the switch part number.

## NON-ILLUMINATED- HOW TO ORDER

Switch	Mounting	Actuation force	Cap	Sealing	Colour code	Spacer
5 G	<input type="checkbox"/> <input type="checkbox"/> <input type="checkbox"/>	<input type="checkbox"/> <input type="checkbox"/> <input type="checkbox"/> +	<input type="checkbox"/> <input type="checkbox"/> <input type="checkbox"/> <input type="checkbox"/>	<input type="checkbox"/> <input type="checkbox"/> <input type="checkbox"/> <input type="checkbox"/>	<input type="checkbox"/> <input type="checkbox"/> <input type="checkbox"/> <input type="checkbox"/>	+ <input type="checkbox"/> <input type="checkbox"/> <input type="checkbox"/> <input type="checkbox"/> <input type="checkbox"/> <input type="checkbox"/>
	TH9 through-hole SH9 surface mount	20 20Q 35 65	10R 10RF	W sealing optional	00 blue 02 green 03 grey 04 yellow 06 white 08 red 09 black	optional 

Ordering example:

5GSH965+10R08 non-illuminated OR 5GTH93501+10RF16R05409 with illumination and legend

Please see colour codes, updates of products and changes of specifications on [www.mec.dk](http://www.mec.dk)