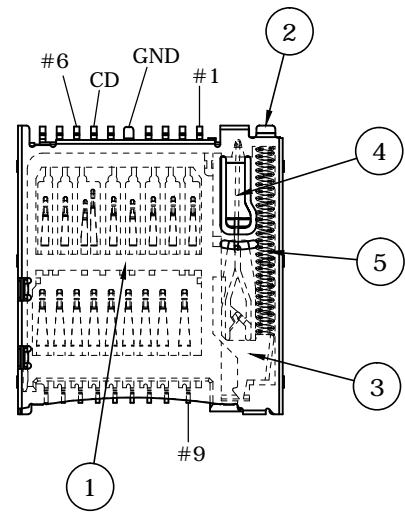
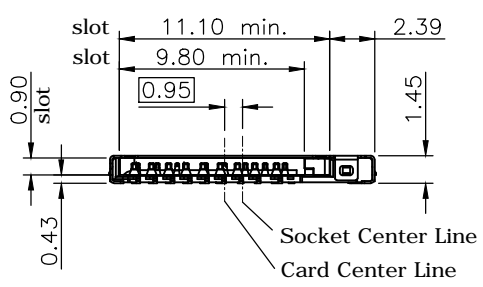
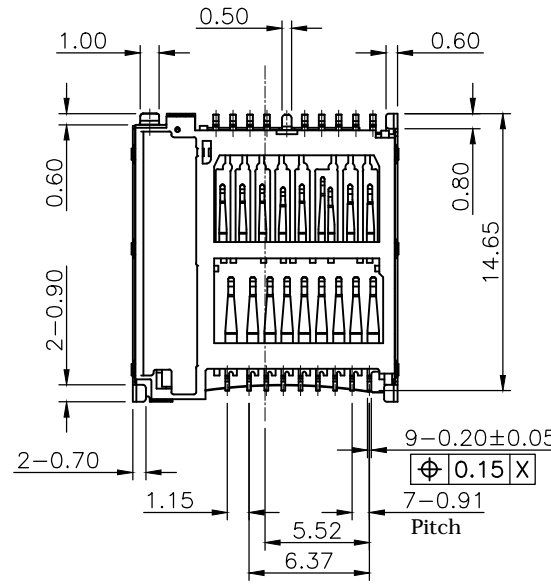
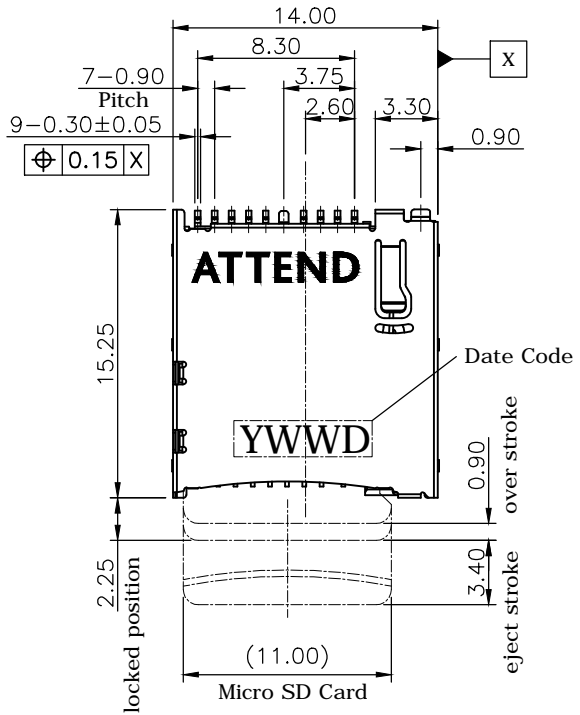


REV.	DESCRIPTION	DRAWN	DATE
1	INITIAL RELEASE	FROS	2017/01/19



SPECIFICATION:

1. ELECTRICAL
 - 1.1 Current Rating: 0.5A
 - 1.2 Voltage Rating: 3.3VDC
 - 1.3 Contact Resistance: 100mΩ
 - 1.4 Insulation Resistance: 1000MΩ
 - 1.5 Dielectric Withstanding Voltage: 500VAC
2. MECHANICAL
 - 2.1 Durability: 5,000 Cycle
 - 2.2 Insertion Force: 8N max.
 - 2.3 Extraction Force: 8N max.
3. ENVIRONMENTAL
 - 3.1 Operating temperature range: -25°C~+85°C
 - 3.2 Storage temperature range: -40°C~+85°C
4. SOLDER ABILITY
 - 4.1 Recommended IR-Reflow Temperature: 255°C max

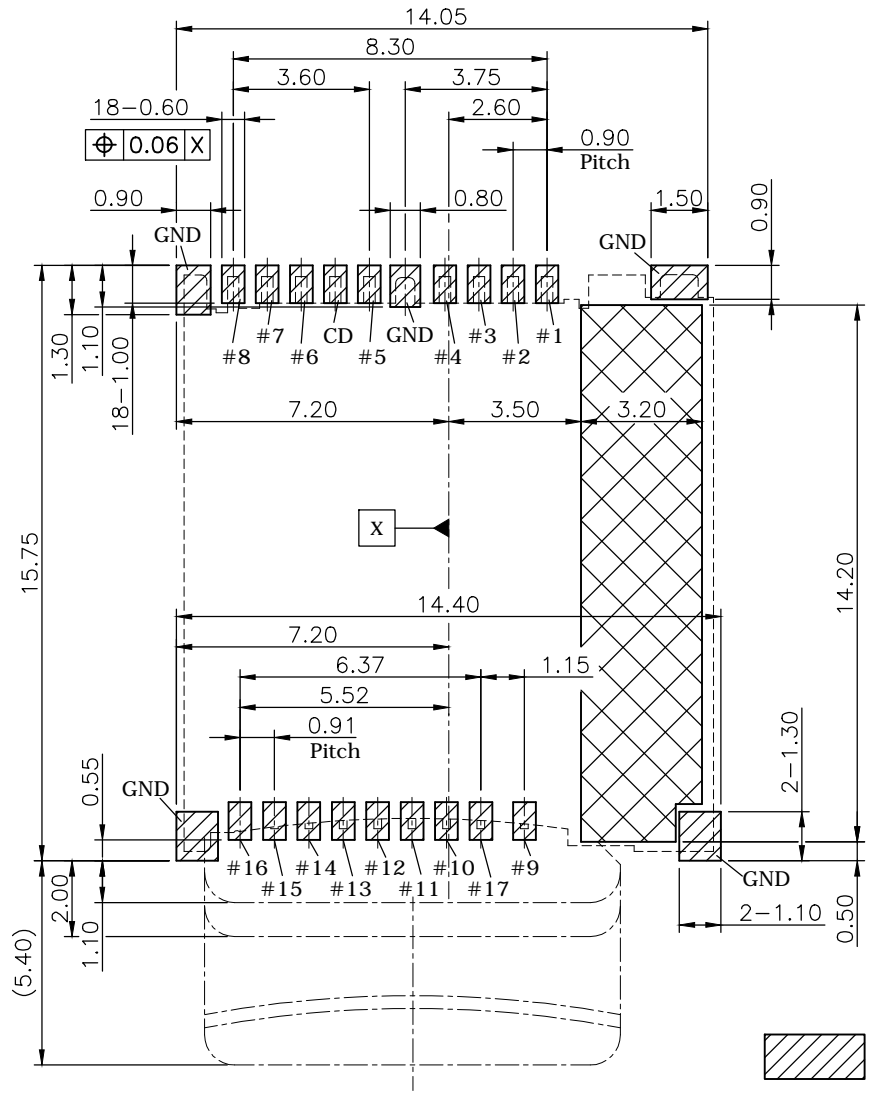
Date Code:
 Y=year, ex. 7=2017
 WW=week, 1~52 week
 D=day, 1~7, ex. 1=Monday

5	SPRING	Stainless Steel
4	DRAG LINK	Stainless Steel
3	SLIDER	LCP, UL94V-0, Black
2	SHELL	Stainless Steel, gold flash on solder tails
1	INSERT-MOLDING	Contact: Phosphor Bronze, Gold plating over Nickel Insulator: LCP, UL94V-0, Black

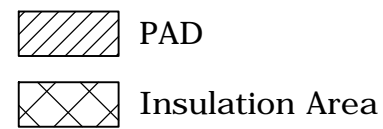
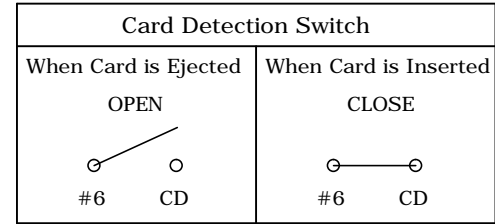
NO.	PART NAME	DESCRIPTION		
UNLESS OTHERWISE SPECIFIED TOLERANCE				
UNIT:	DECIMAL	LINEAR	ANGLES	
mm	X.	±0.50	±5°	
	X.X	±0.25	±3°	
	X.XX	±0.12	±1°	
WWW.ATTEND.COM.TW				
DRAWN	Fros	2017/01/19	DRAWN NAME:	
CHECKED	Tim	2017/01/19	UHS-II Micro SD Card Socket, Push-Push SMT Type, 10u"	
APPROVED	Ken	2017/01/19	PRODUCT NO. 112L-TDA0	
SCALE	2.5/1	SHEET 1/2	SIZE A4	FILE NAME 112L-TDA0_B_1



REV.	DESCRIPTION	DRAWN	DATE
	see sheet one		



Pin No.	Pin Assignment
# 1	DAT2
# 2	CD/DAT3
# 3	CMD
# 4	Vdd
# 5	CLK
# 6	Vss
# 7	DAT0
# 8	DAT1
# 9	Vdd2
# 10	Vss
# 11	D0+
# 12	D0-
# 13	Vss
# 14	D1-
# 15	D1+
# 16	Vss
# 17	SWIO
GND	Ground
CD	Card Detect



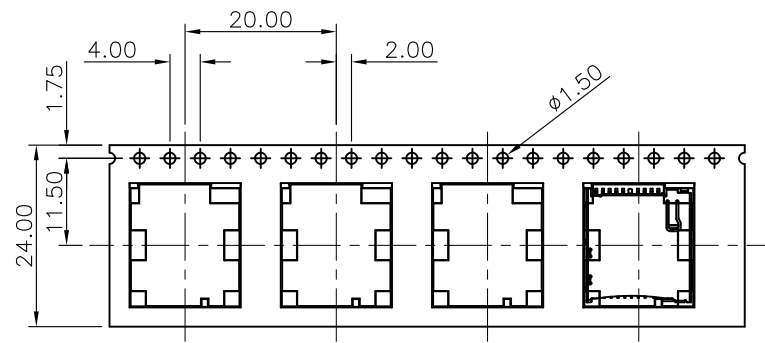
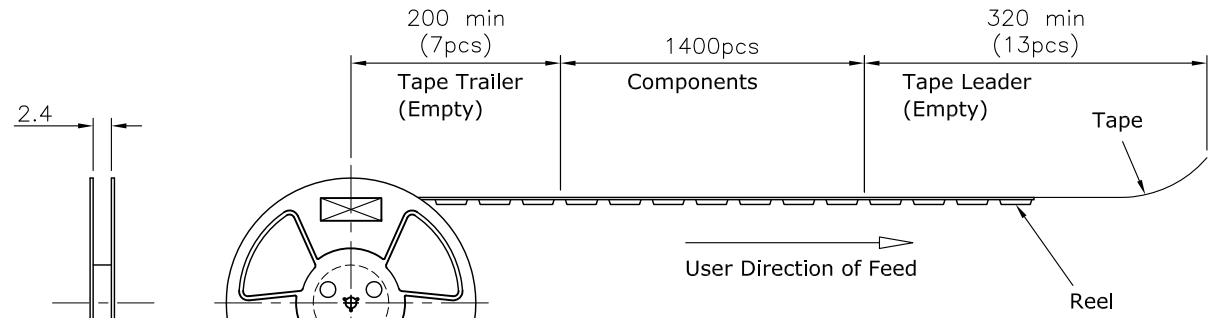
Recommended Layout (top view)
General Tolerance: ±0.05mm

UNLESS OTHERWISE SPECIFIED TOLERANCE			
UNIT:	DECIMAL	LINEAR	ANGLES
mm	X.	±0.50	±5°
	X.X	±0.25	±3°
	X.XX	±0.12	±1°
DRAWN	Fros	2017/01/19	DRAWN NAME: UHS-II Micro SD Card Socket, Push-Push SMT Type, 10u"
CHECKED	Tim	2017/01/19	
APPROVED	Ken	2017/01/19	
SCALE	5/1	SHEET	2/2
		SIZE	A4
FILE NAME		112L-TDA0_B_1	

ATTEND
WWW.ATTEND.COM.TW

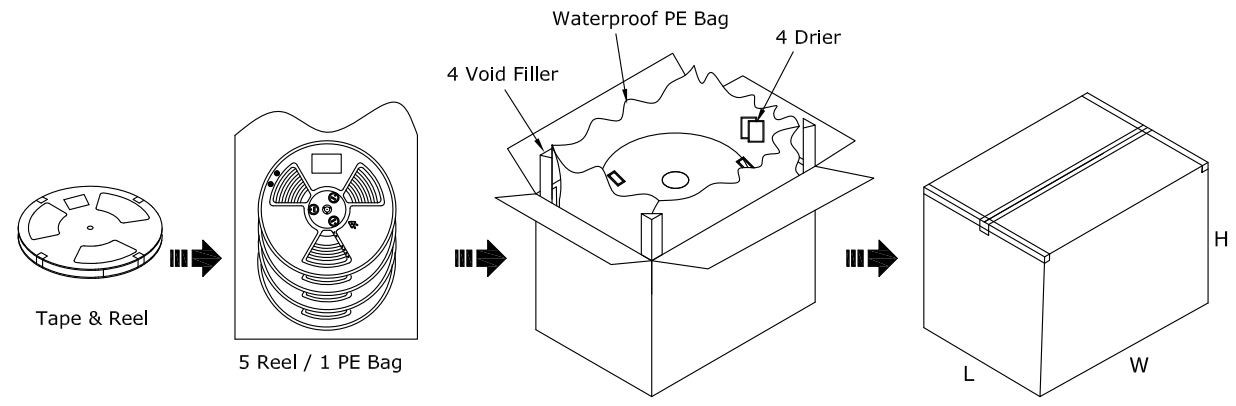
DRAWN	Fros	2017/01/19	DRAWN NAME: UHS-II Micro SD Card Socket, Push-Push SMT Type, 10u"
CHECKED	Tim	2017/01/19	
APPROVED	Ken	2017/01/19	
SCALE	5/1	SHEET	2/2
		SIZE	A4
FILE NAME		112L-TDA0_B_1	

REV.	DESCRIPTION	DRAWN	DATE
1	INITIAL RELEASE	FROS	2017/01/19


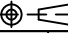


PACKAGING SPECIFICATION:

1. MATERIAL
 - 1.1 Embossed Carrier Tape: PS Black
 - 1.2 Top Cover Tape: PET
20-80g(Peel Speed 300mm/Minute)
 - 1.3 Taping Reel: Plastic
2. PACKING
 - 2.1 Quantity:
1,400 Piece / Reel
5 Reel / 7,000 piece / Carton



Carton L*W*H=350*350*170

UNLESS OTHERWISE SPECIFIED TOLERANCE					
UNIT:	DECIMAL	LINEAR	ANGLES		
mm	X.	±0.50	±5°	WWW.ATTEND.COM.TW	
	X.X	±0.25	±3°		
	X.XX	±0.12	±1°		
DRAWN	Fros	2017/01/19	DRAWN NAME: Packing of UHS-II Micro SD Socket		
CHECKED	Tim	2017/01/19			
APPROVED	Ken	2017/01/19	PRODUCT NO.	112L-TDA0	
	SCALE N/A	SHEET 1/1	SIZE A4	FILE NAME	112L-TDA0_D_1