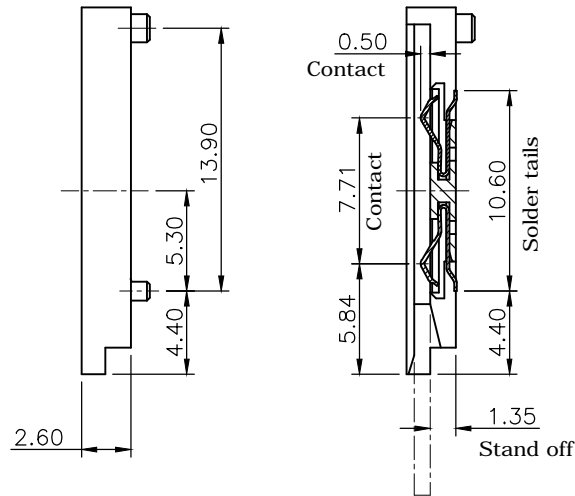
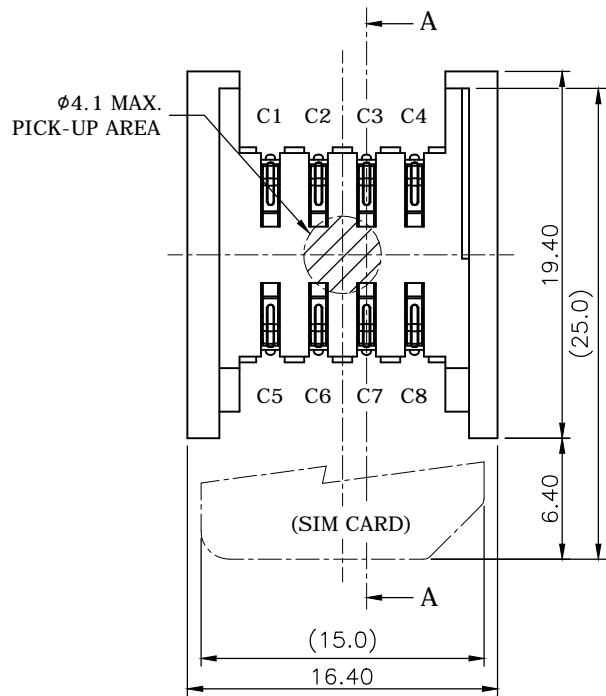
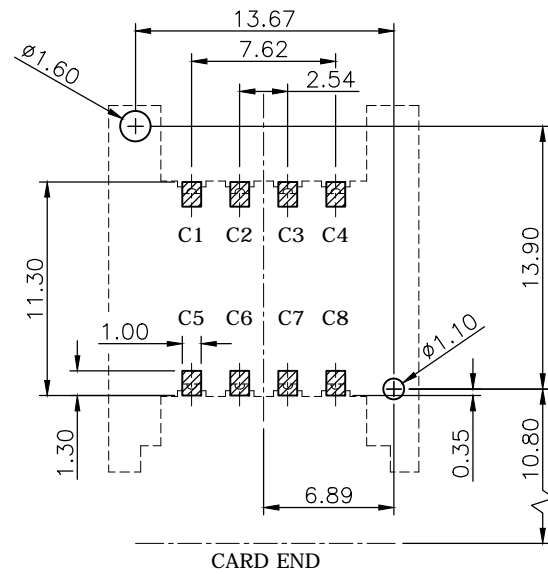
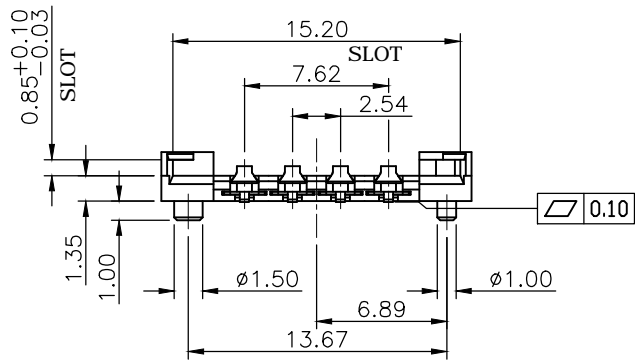


REV.	DESCRIPTION	DRAWN	DATE
1	INITIAL RELEASE	FROS	2017/10/11



SECTION A-A



RECOMMENDED LAYOUT (TOP VIEW)
GENERAL TOLERANCE: ±0.05mm

SPECIFICATION:

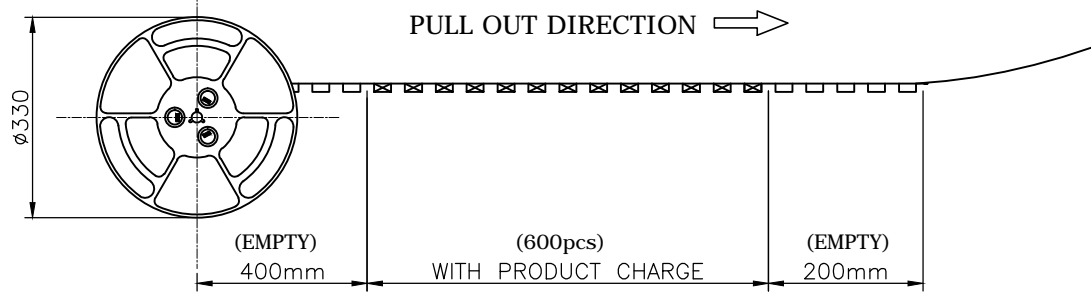
1. ELECTRICAL
 - 1.1 Current Rating: 0.5A per pin
 - 1.2 Voltage Rating: 100VAC/DC
 - 1.3 Contact Resistance: 50mΩ
 - 1.4 Insulation Resistance: 1000 MΩ
 - 1.5 Dielectric Withstanding Voltage: 500VAC
2. MECHANICAL
 - 2.1 Durability: 5,000 Cycle
3. ENVIRONMENTAL
 - 3.1 Operating temperature range: -40 °C~+85°C
 - 3.2 Storage temperature range: -40 °C~+85°C
4. SOLDER ABILITY
 - 4.1 Recommended IR-Reflow Temperature: 260 °C

115C-BC00-01	8 Pin
115C-AC00-01	6 Pin
P/N	Pin count

2	CONTACT	Phosphor Bronze, Gold plating over Nickel		
1	HOUSING	LCP, UL94V-0, Black		
NO. PART NAME		DESCRIPTION		
UNLESS OTHERWISE SPECIFIED TOLERANCE				
UNIT:	DECIMAL	LINEAR	ANGLES	
	mm	X. ±0.50	±5°	
		X.X ±0.25	±3°	
		X.XX ±0.12	±1°	
www.attend.com.tw				
DRAWN	Fros	2017/10/11	DRAWN NAME: SIM Card Socket, Holder Type X Pin, 5u", Reel, H2.6mm	
CHECKED	Tim	2017/10/11		
APPROVED	Ken	2017/10/11		
SCALE		SHEET	SIZE	PRODUCT NO. SEE TABLE
2.5/1		1/1	A4	
FILE NAME		115C-XC00-01_B_1		

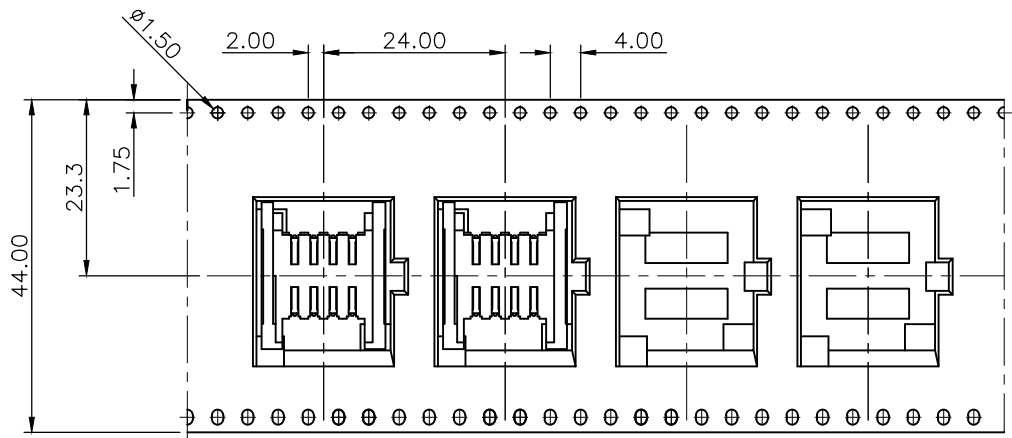


REV.	DESCRIPTION	DRAWN	DATE
1	INITIAL RELEASE	FROS	2017/10/11

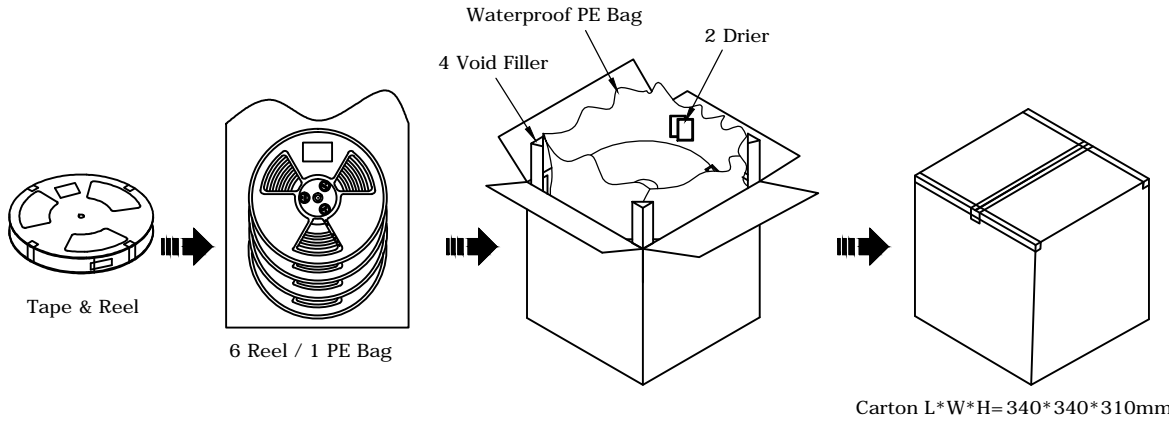


PACKAGING SPECIFICATION:

Quantity:
 600 Piece/ Reel
 6 Reel/ Carton
 3,600 Piece/ Outer Carton



115C-BC00-01	8 Pin
115C-AC00-01	6 Pin
P/N	Pin count



UNLESS OTHERWISE SPECIFIED TOLERANCE			
UNIT:	DECIMAL	LINEAR	ANGLES
mm	X.	±0.50	±5°
	X.X	±0.25	±3°
	X.XX	±0.12	±1°



www.attend.com.tw

DRAWN	Fros	2017/10/11	DRAWN NAME:	SIM Card Socket, Holder Type Packing Drawing	
CHECKED	Tim	2017/10/11	PRODUCT NO.		SEE TABLE
APPROVED	Ken	2017/10/11	FILE NAME	115C-XC00-01_D_1	
SCALE	2.5/1	SHEET	1/1	SIZE	A4