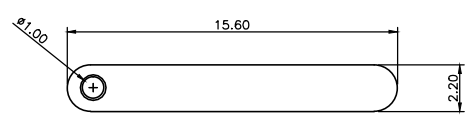
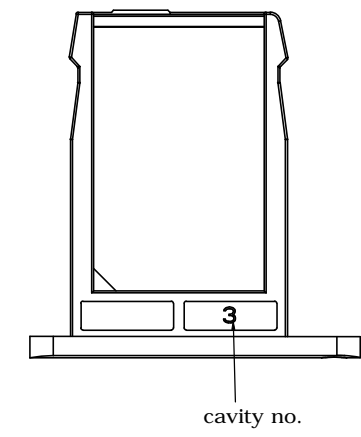
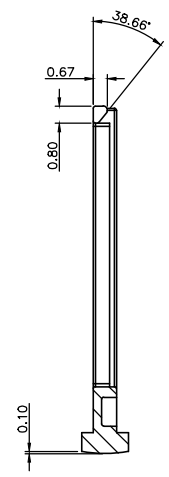
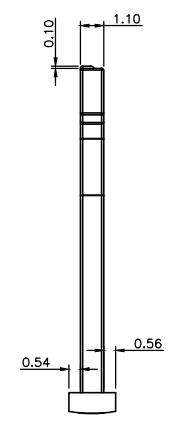
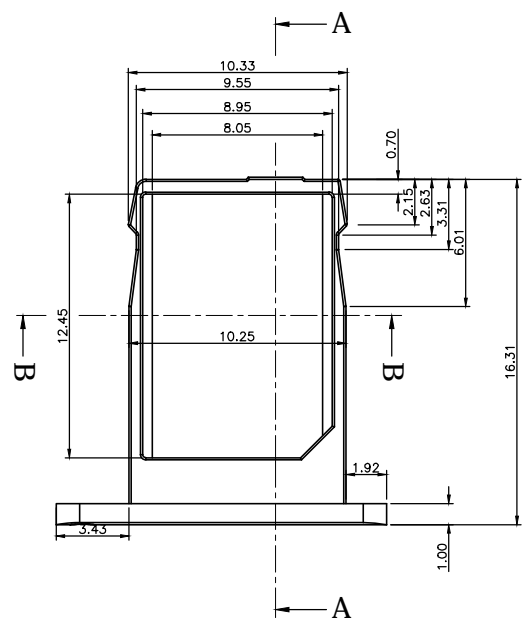
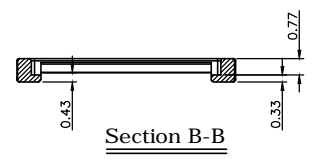




REV.	DESCRIPTION	DRAWN	DATE
1	INITIAL RELEASE	FROS	2018/11/14

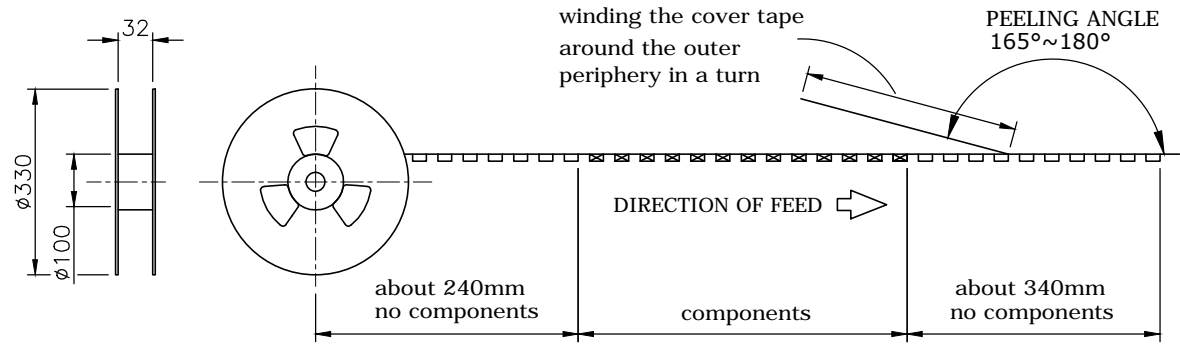
- Note:
1. Material: Stainless Steel
  2. Color: Natural



Section A-A

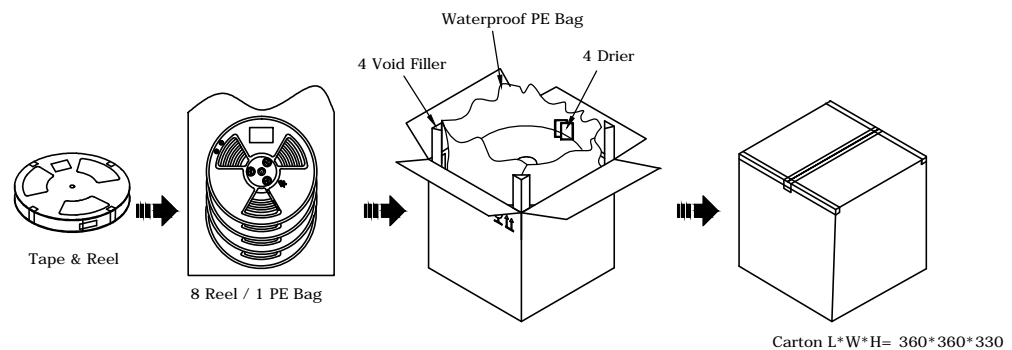
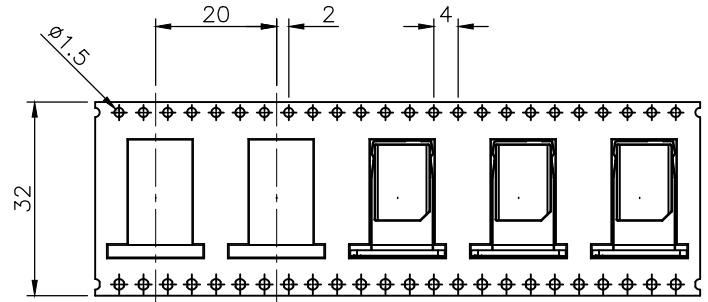
UNLESS OTHERWISE SPECIFIED TOLERANCE				 <a href="http://WWW.ATTEND.COM.TW">WWW.ATTEND.COM.TW</a>	
UNIT:	DECIMAL	LINEAR	ANGLES		
mm	X.	±0.50	±5°		
	X.X	±0.25	±3°		
	X.XX	±0.12	±1°		
DRAWN	Fros	2018/11/14	DRAWN NAME: Nano SIM Tray, 16.31		
CHECKED	Tim	2018/11/14			
APPROVED	Ken	2018/11/14	PRODUCT NO.	115S-ACA3	
	SCALE 2.8	SHEET 1/2	SIZE A4	FILE NAME 115S-ACA3_B_1	


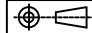
REV.	DESCRIPTION	DRAWN	DATE
	see sheet one		



### PACKAGING SPECIFICATION:

1. MATERIAL
  - 1.1 Embossed Carrier Tape: PS, transparent
  - 1.2 Top Cover Tape: PET  
20-80g(Peel Speed 300mm/Minute)  
Peeling angle: 165° to 180°
  - 1.3 Taping Reel: Plastic
2. PACKING
  - 2.1 Quantity:  
1,000Piece/ Reel  
8 Reel (8,000Piece) / Carton



UNLESS OTHERWISE SPECIFIED TOLERANCE					
UNIT:	DECIMAL	LINEAR	ANGLES		
mm	X.	±0.50	±5°	DRAWN NAME: Nano SIM Tray, 16.31	
	X.X	±0.25	±3°		
	X.XX	±0.12	±1°		
DRAWN	Fros	2018/11/14	DRAWN NAME: Nano SIM Tray, 16.31		
CHECKED	Tim	2018/11/14	DRAWN NAME: Nano SIM Tray, 16.31		
APPROVED	Ken	2018/11/14	PRODUCT NO.	115S-ACA2	
	SCALE N/A	SHEET 2/2	SIZE A4	FILE NAME	115S-ACA2_B_2