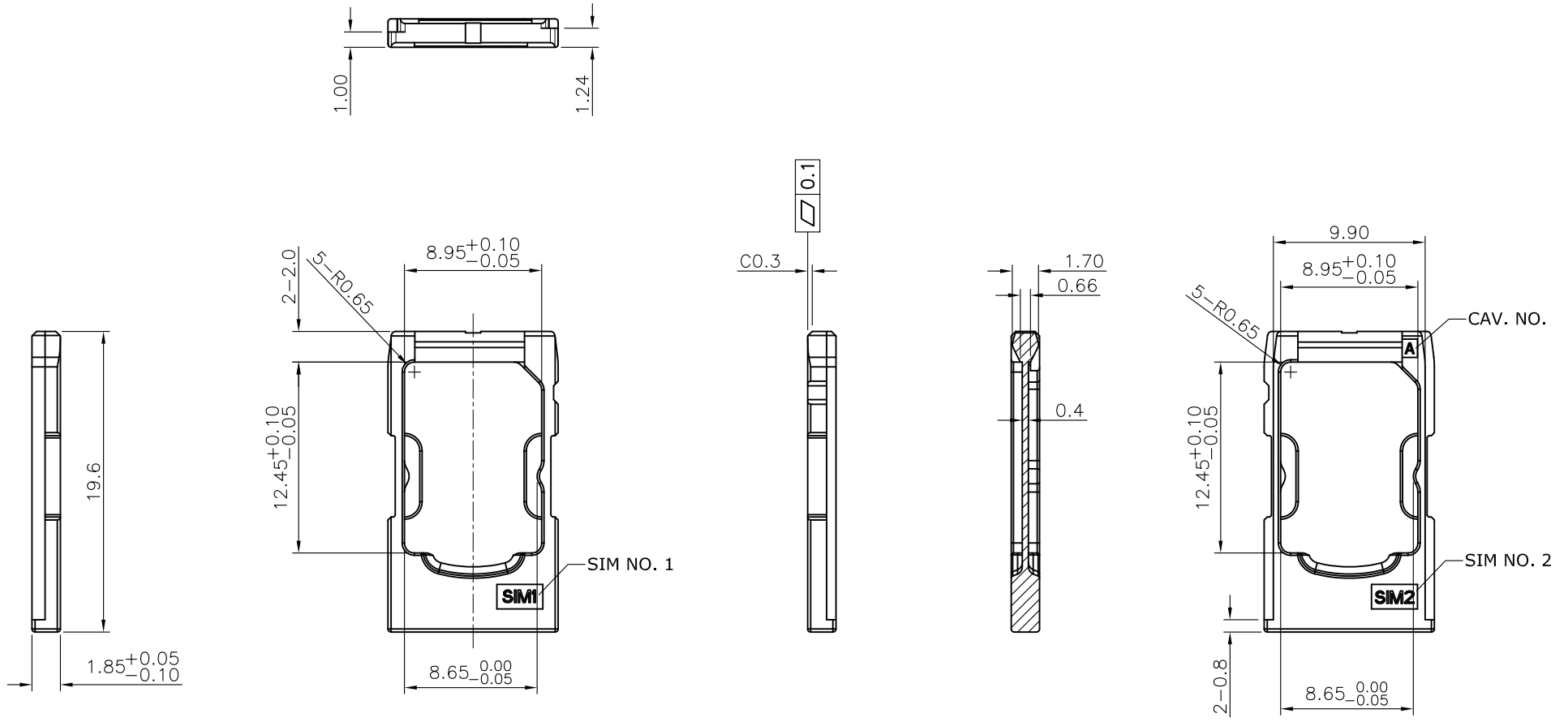




REV.	DESCRIPTION	DRAWN	DATE
1	INITIAL RELEASE	FROS	2021/12/03



- NOTE:
- MATERIAL: PC/ABS, UL 94V-0, Black
 - RoHS + HF COMPLIANT

UNLESS OTHERWISE SPECIFIED TOLERANCE					
UNIT:	DECIMAL	LINEAR	ANGLES		
mm	X.	±0.50	±5°	www.attend.com.tw	
	X.X	±0.25	±3°		
	X.XX	±0.12	±1°		
DRAWN	Fros	2021/08/10	DRAWN NAME:		
CHECKED	Tim	2021/08/10	Card Tray, Used for 115U-B100, PC+ABS, Black		
APPROVED	Ken	2021/08/10	PRODUCT NO.	115U-T003	
	SCALE 2.5/1	SHEET 1/1	SIZE A4	FILE NAME	115U-T003_B_1