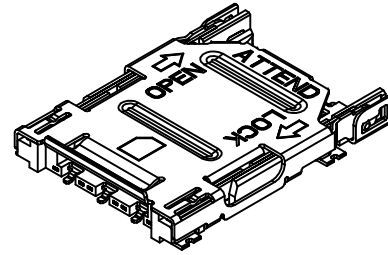


REV.	DESCRIPTION	DRAWN	DATE
1	INITIAL RELEASE	FROS	2019/08/13
1.1	add note	FROS	2019/09/02



SPECIFICATION:

- ELECTRICAL
 - Current Rating: 0.5A per pin
 - Voltage Rating: 10V DC
 - Contact Resistance: Initial 50mΩ, after 100mΩ Max.
 - Insulation Resistance: 1000MΩ
 - Dielectric Withstanding Voltage: 500VAC



2. MECHANICAL

- Terminal Durability: 5,000 cycles
- Contact Normal Force: 0.3N min. per pin
- Open & Lock Durability: 100 cycles
- Open & Lock Force: 1.5N~20N with card

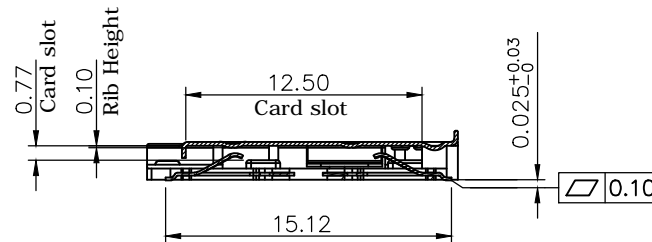
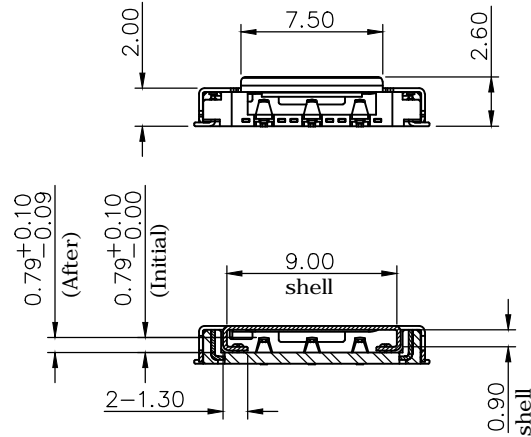
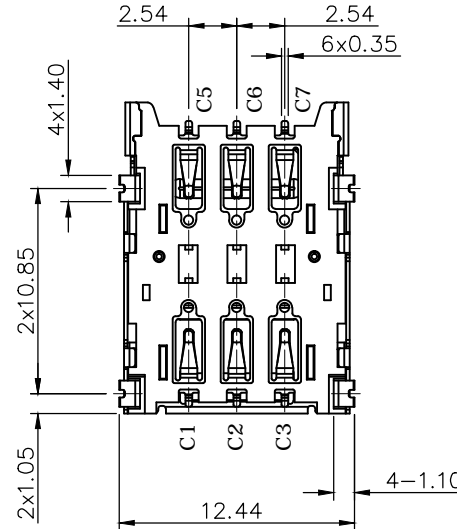
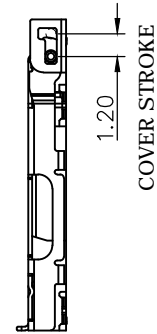
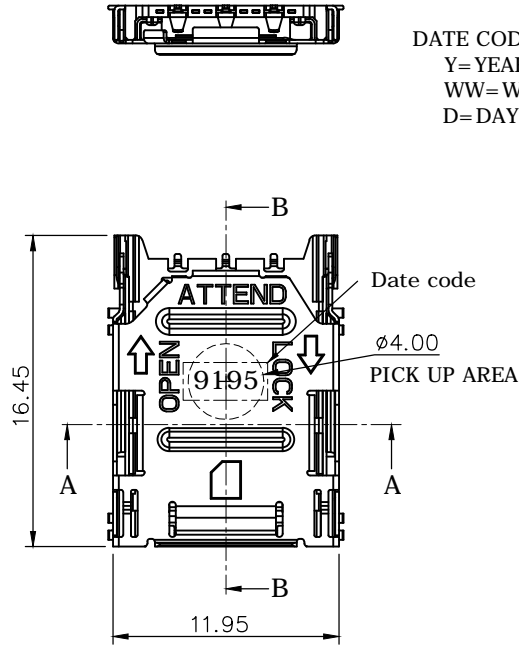
3. ENVIRONMENTAL

- Operating temperature range: -40°C~+105°C
- Storage temperature range: -40°C~+105°C

4. SOLDER ABILITY

- Recommended IR Reflow Temperature: 260°C

DATE CODE: 9195 (YWW)
 Y= YEAR(2019)
 WW= WEEK(01-52)
 D= DAY(1-7)



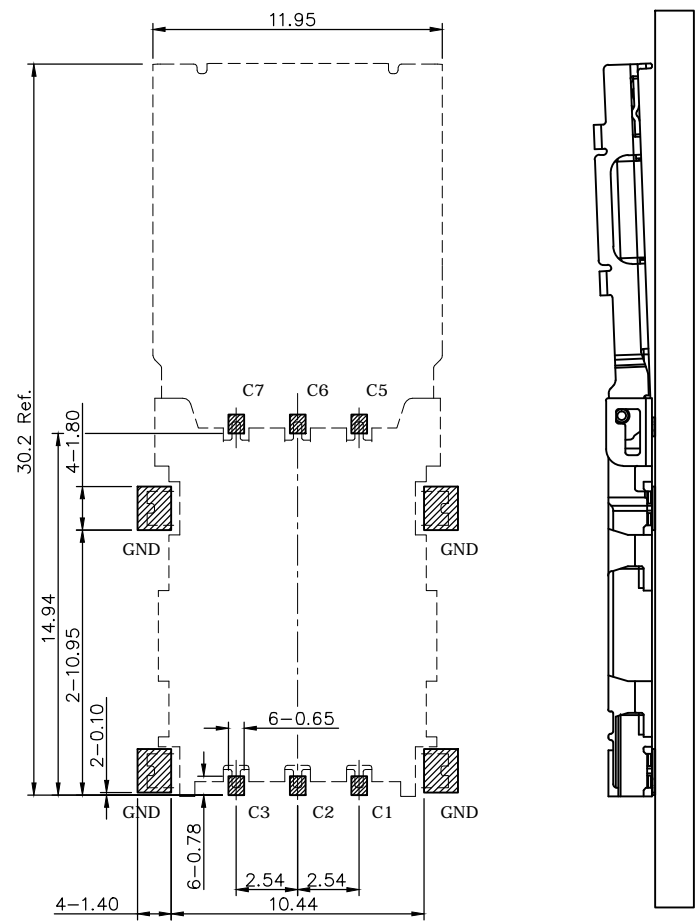
4	GROUND	Stainless Steel SUS304, 0.20t, Gold flash on solder area, under plating 50u" Nickel
3	SHELL	Stainless Steel SUS304, 0.2t
2	CONTACT	Copper alloy C5210-SH, 0.15t, 10u" Gold plating on contact area, Gold flash on solder area, under plating 50u" Nickel
1	INSULATOR	LCP, UL94V-0, Black

NO.		PART NAME	DESCRIPTION
UNLESS OTHERWISE SPECIFIED TOLERANCE			
UNIT:	DECIMAL	LINEAR	ANGLES
	X.	±0.50	±5°
	X.X	±0.25	±3°
	X.XX	±0.12	±1°
DRAWN		Fros	2019/05/20
CHECKED		Tim	2019/05/20
APPROVED		Ken	2019/05/20
SCALE		2.5/1	SHEET 1/2
SIZE		A4	
DRAWN NAME:		Nano SIM Socket Hinge Type 6 Pin 10u" Reel	
PRODUCT NO.		115V-AD00	
FILE NAME		115V-AD00_B_1.1	

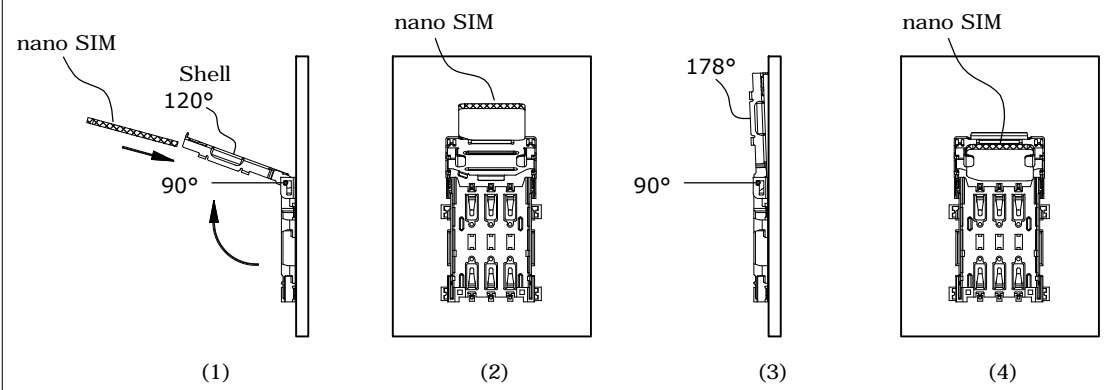


www.attend.com.tw

REV.	DESCRIPTION	DRAWN	DATE
	see sheet one		

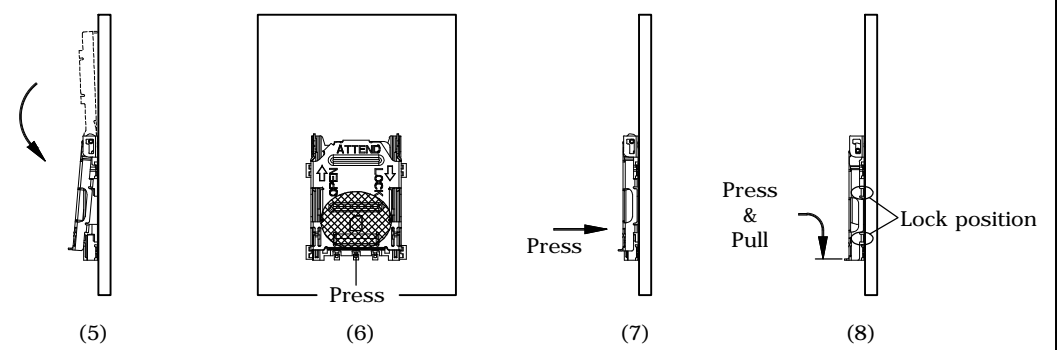


Recommended Layout (top view)
General Tolerance: $\pm 0.05\text{mm}$


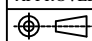


Install a Nano SIM Card

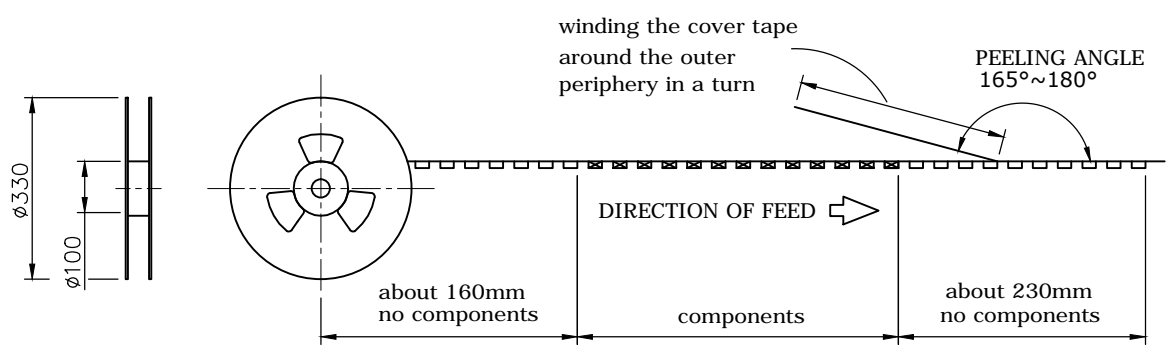
Lift up the shell between 90 to 120 degree angles (Pic. 1). This is an appropriate range to install a Nano SIM Card (Pic. 2). The shell can be fixed when it is lifted to over 90 degree angles. It will be more convenient for user to install a Nano SIM Card. On the other hand, user can find a proper angle to install the card till the shell is unfold (Pic. 3)



Close the shell to make it contact with the terminal (Pic. 5), when the card is installed into the slot (Pic. 4). Press the shell with a finger pulp (Pic. 6) till flat to the bottom (Pic. 7). In the meantime, pull the shell and make it slide to the lock position to fix it (Pic. 8).

UNLESS OTHERWISE SPECIFIED TOLERANCE				 www.attend.com.tw	
UNIT:	DECIMAL	LINEAR	ANGLES		
mm	X.	± 0.50	$\pm 5^\circ$		
	X.X	± 0.25	$\pm 3^\circ$		
	X.XX	± 0.12	$\pm 1^\circ$		
DRAWN	Fros	2019/05/20	DRAWN NAME:		
CHECKED	Tim	2019/05/20	Nano SIM Socket Hinge Type 6 Pin 10u" Reel		
APPROVED	Ken	2019/05/20	PRODUCT NO.	115V-AD00	
	SCALE N/A	SHEET 2/2	SIZE A4	FILE NAME	115V-AD00_B_1.1

REV.	DESCRIPTION	DRAWN	DATE
1	INITIAL RELEASE	FROS	2019/05/20



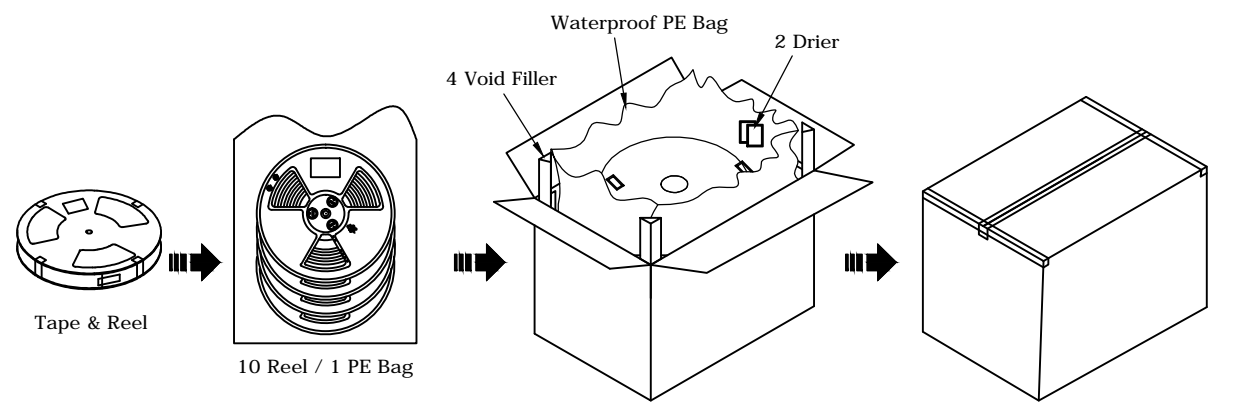
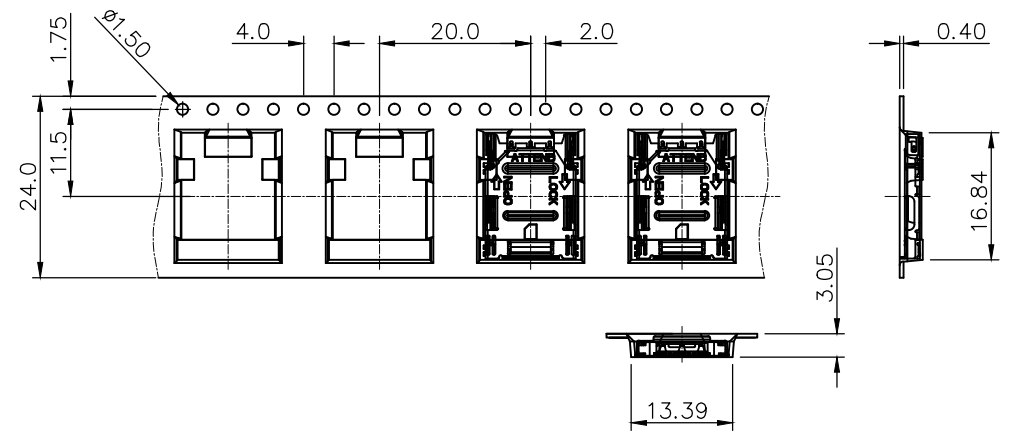
PACKAGING SPECIFICATION:

1. MATERIAL

- 1.1 Embossed Carrier Tape: PS Black
- 1.2 Top Cover Tape: PET
20-80g(Peel Speed 300mm/Minute)
- 1.3 Taping Reel: Plastic

2. PACKING

- 2.1 Quantity:
 - 1,000 Piece/Reel
 - 10 Reel/ Carton
 - 10,000 Piece/ Carton



UNLESS OTHERWISE SPECIFIED TOLERANCE							
UNIT:	DECIMAL	LINEAR	ANGLES				
mm	X.	±0.50	±5°				
	X.X	±0.25	±3°				
	X.XX	±0.12	±1°				
DRAWN	Fros	2019/05/20	DRAWN NAME: Nano SIM Socket Hinge Type Packaging Drawing				
CHECKED	Tim	2019/05/20					
APPROVED	Ken	2019/05/20					
SCALE	N/A	SHEET	1/1	SIZE	A4	FILE NAME	115V-AD00_D_1



www.attend.com.tw

Carton L*W*H=355*355*355