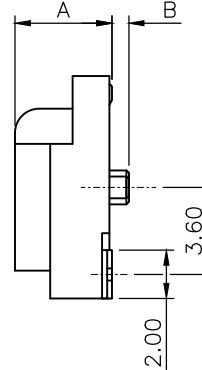


*SEE TABLE



NO.	DESCRIPTION	DRAWN	DATE
1	INITIAL RELEASE	FROS	2014/12/12
2	ADD PACKING & DIMENSIONS TABLE	FROS	2014/12/19
3	ADD PAGE 4, SLUG HOLE NOTES	FROS	2015/08/11

SPECIFICATION:

1. ELECTRICAL
 - 1.1 Current Rating: 0.5A per pin
 - 1.2 Voltage Rating: 50V DC
 - 1.3 Contact Resistance: 55mΩ Max
 - 1.4 Insulation Resistance: 500MΩ Min
 - 1.5 Dielectric Withstanding Voltage: 300VAC

2. MECHANICAL

- 2.1 Durability: 100 Cycle
- 2.2 Insertion Force: 2.3Kgf max.
- 2.3 Extraction Force: 2.3Kgf max.

3. ENVIRONMENTAL

- 3.1 Operating temperature range: -40°C~+85°C
- 3.2 Storage temperature range: -40°C~+85°C

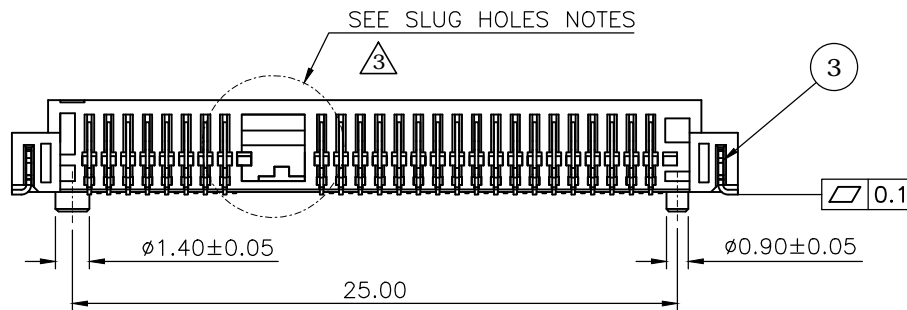
4. SOLDER ABILITY

- 4.1 Recommended IR Reflow Temperature: 260°C 10Sec


DIMENSIONS TABLE		
A	B	P/N
4.0	0.7	119A-40A00-R04
5.6	0.5	119A-56A00-R04

NOTE: 1

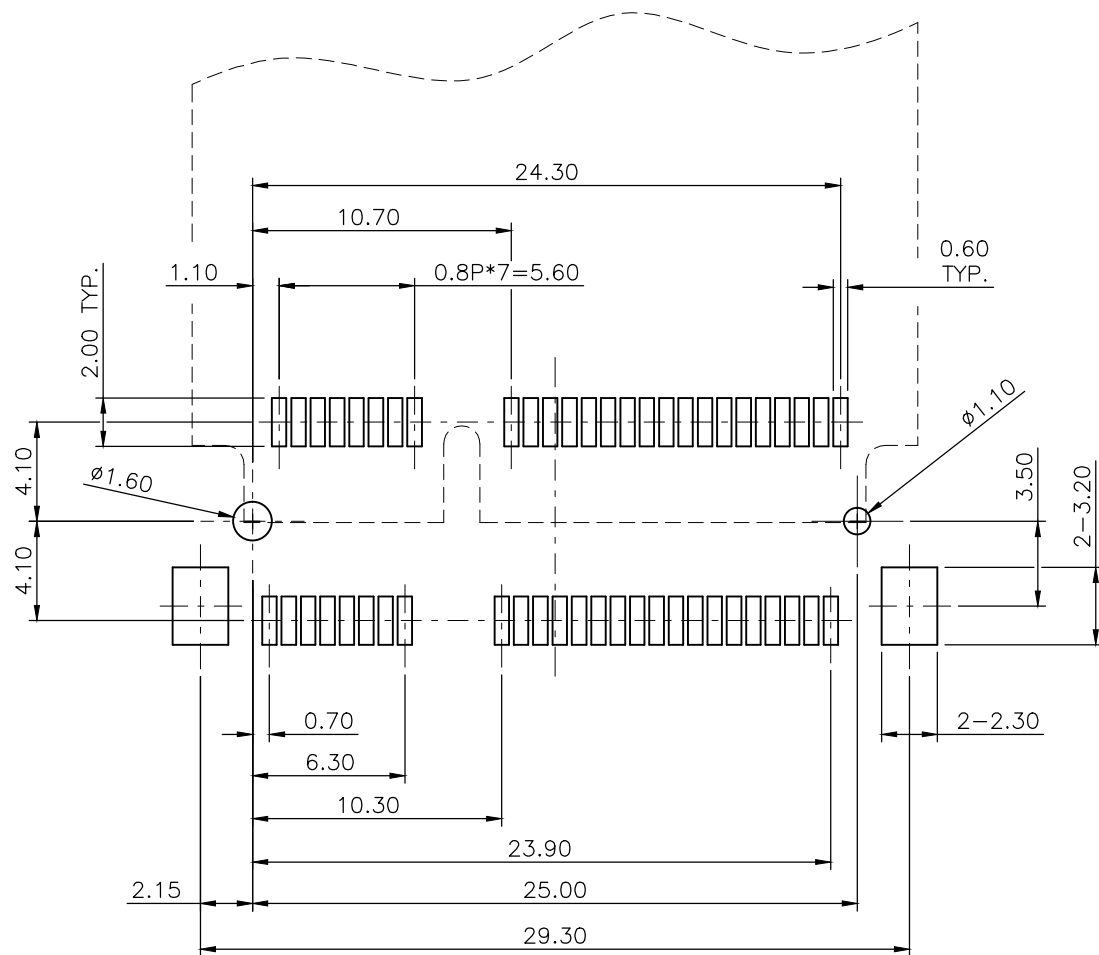
DATE CODE: 3 3 4 1
 YEAR 2013 DAY 1 AT WEEK
 WEEK 34



3	HOLDDOWN	Brass C2680, Tin Plated
2	CONTACT	Phosphor Bronze C5210, Contact Area: Gold Flash Over Nickel
1	HOUSING	LCP UL94V-0, Black

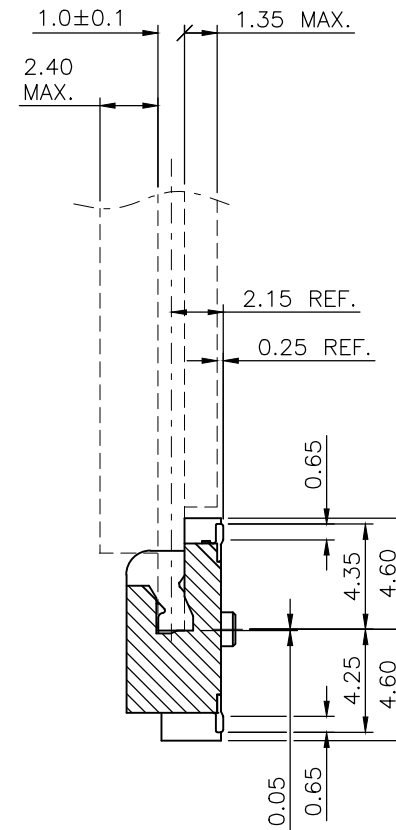
NO.	PART NAME	DESCRIPTION	
UNLESS OTHERWISE SPECIFIED TOLERANCE			
UNIT:	DECIMAL	LINEAR	ANGLES
	X.	±0.50	±5°
	X.X	±0.25	±3°
	X.XX	±0.12	±1°
 WWW.ATTEND.COM.TW			
DRAWN	Fros	2014/12/12	
CHECKED	Ron	2014/12/12	
APPROVED	Albert	2014/12/12	
DRAWN NAME:		Mini PCI Express Socket H:X.Xmm	
PRODUCT NO.		SEE P/N TABLE	
SCALE	SHEET	SIZE	
3.2	1/4	A4	
FILE NAME		119A-XXA00-R04_B_3	

NO.	DESCRIPTION	DRAWN	DATE
	SEE SHEE 1		




RECOMMEND PCB LAYOUT, TOP VIEW

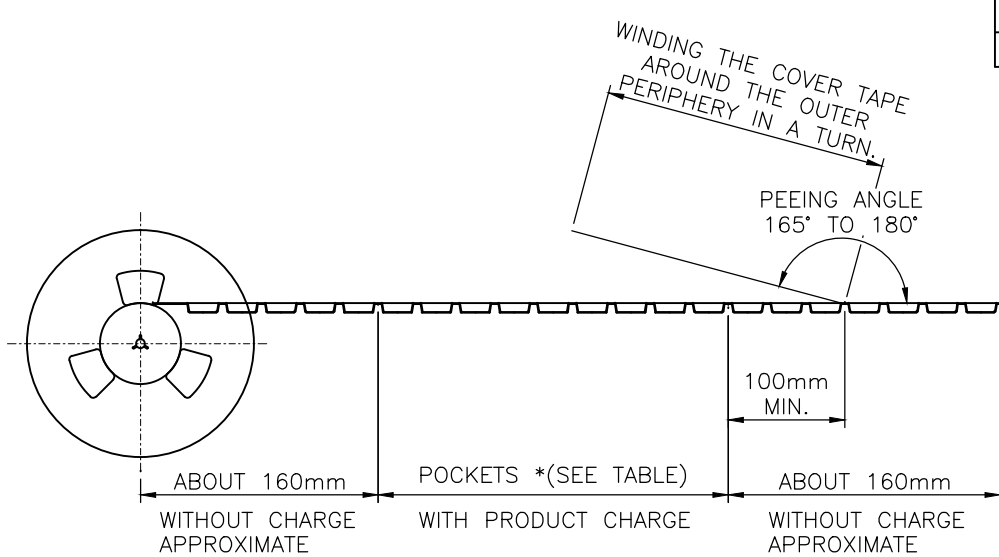
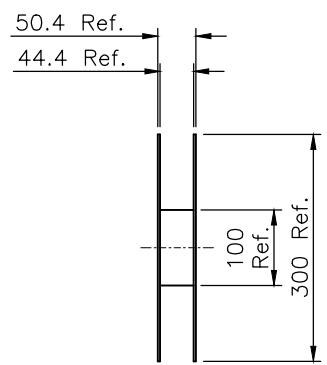
----- IS CARD
 _____ IS PAD LAYOUT



GENERAL TOLERANCE: ±0.05

UNLESS OTHERWISE SPECIFIED TOLERANCE				 WWW.ATTEND.COM.TW		
UNIT:	DECIMAL	LINEAR	ANGLES			
mm	X.	±0.50	±5°			
	X.X	±0.25	±3°			
	X.XX	±0.12	±1°			
DRAWN	Fros	2014/12/12	DRAWN NAME:			
CHECKED	Ron	2014/12/12	Mini PCI Express Socket H:X.Xmm			
APPROVED	Albert	2014/12/12	PRODUCT NO.	SEE P/N TABLE		
SCALE 3.2		SHEET 2/4	SIZE A4	FILE NAME	119A-XXA00-R04_B_3	

NO.	DESCRIPTION	DRAWN	DATE
	SEE SHEE 1		

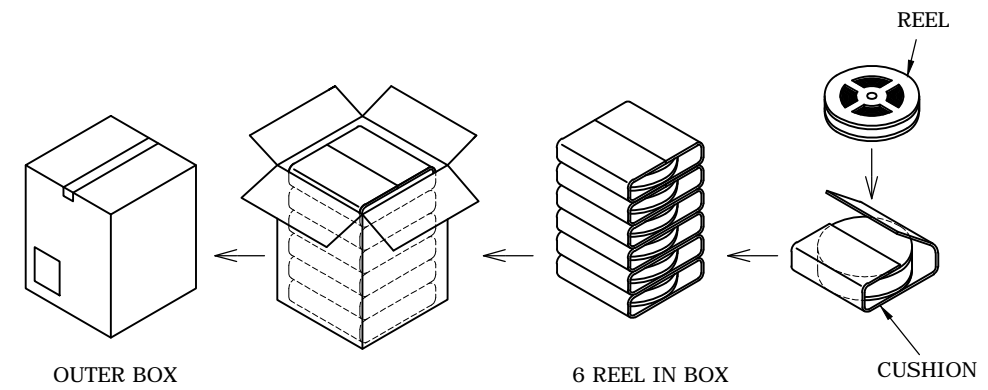
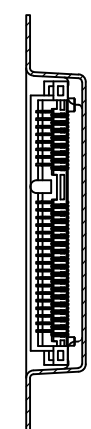
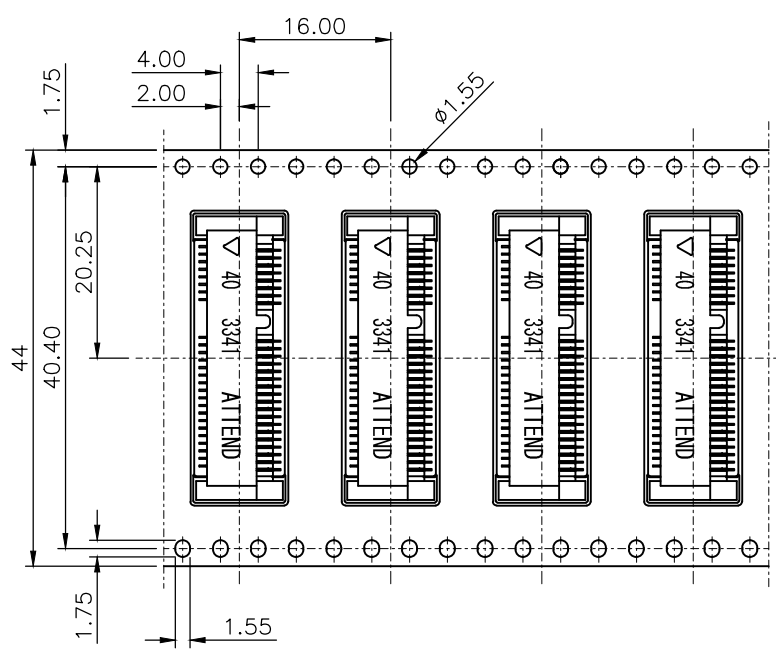


NOTE:

1. PEELING RESISTANCE: 0.1N~0.13N (10gf~130gf)
PEELING ANGLE: 165°~180°
PEELING SPEED: 300mm/min.
2. PACKING STYLE
6 REEL/CARTON

PACKING TABLE		
P/N	Q'TY/ REEL	Q'TY/ CARTON
119A-40A00-R04	700 PCS	4,200 PCS
119A-56A00-R04	550 PCS	3,300 PCS

REEL DIMENSIONS
SCALE 1/10



BOX PACKING

C	P/N
6.30	119A-40A00-R04
7.90	119A-56A00-R04

UNLESS OTHERWISE SPECIFIED TOLERANCE							
UNIT:	DECIMAL	LINEAR	ANGLES				
mm	X.	±0.50	±5°				
	X.X	±0.25	±3°				
	X.XX	±0.12	±1°				
DRAWN	Fros	2014/12/12	DRAWN NAME: Mini PCI Express Socket H:X.Xmm				
CHECKED	Ron	2014/12/12					
APPROVED	Albert	2014/12/12					
SCALE	1.25	SHEET	3/4	SIZE	A4	PRODUCT NO.	SEE P/N TABLE
						FILE NAME	119A-XXA00-R04_B_3

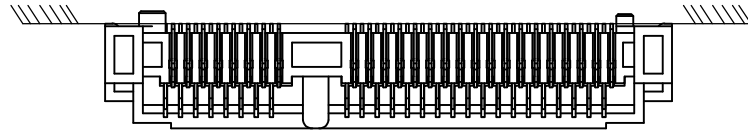


WWW.ATTEND.COM.TW

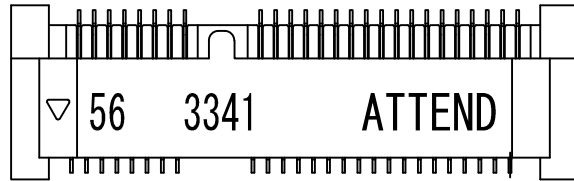
*SEE TABLE

NO.	DESCRIPTION	DRAWN	DATE
	see sheet one		

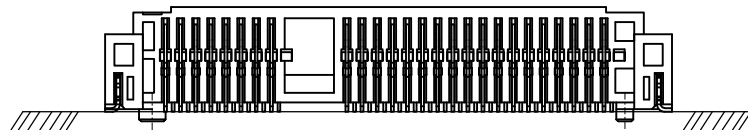
119A-56A00-R04



FRONT SIDE

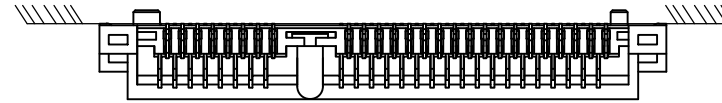


TOP VIEW

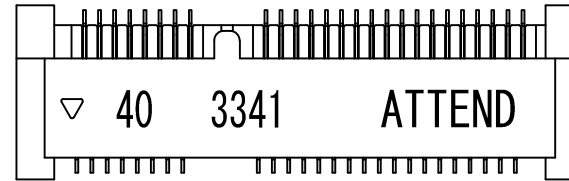


BACK SIDE

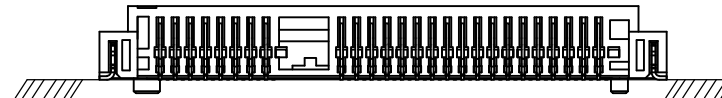
119A-40A00-R04



FRONT SIDE



TOP VIEW



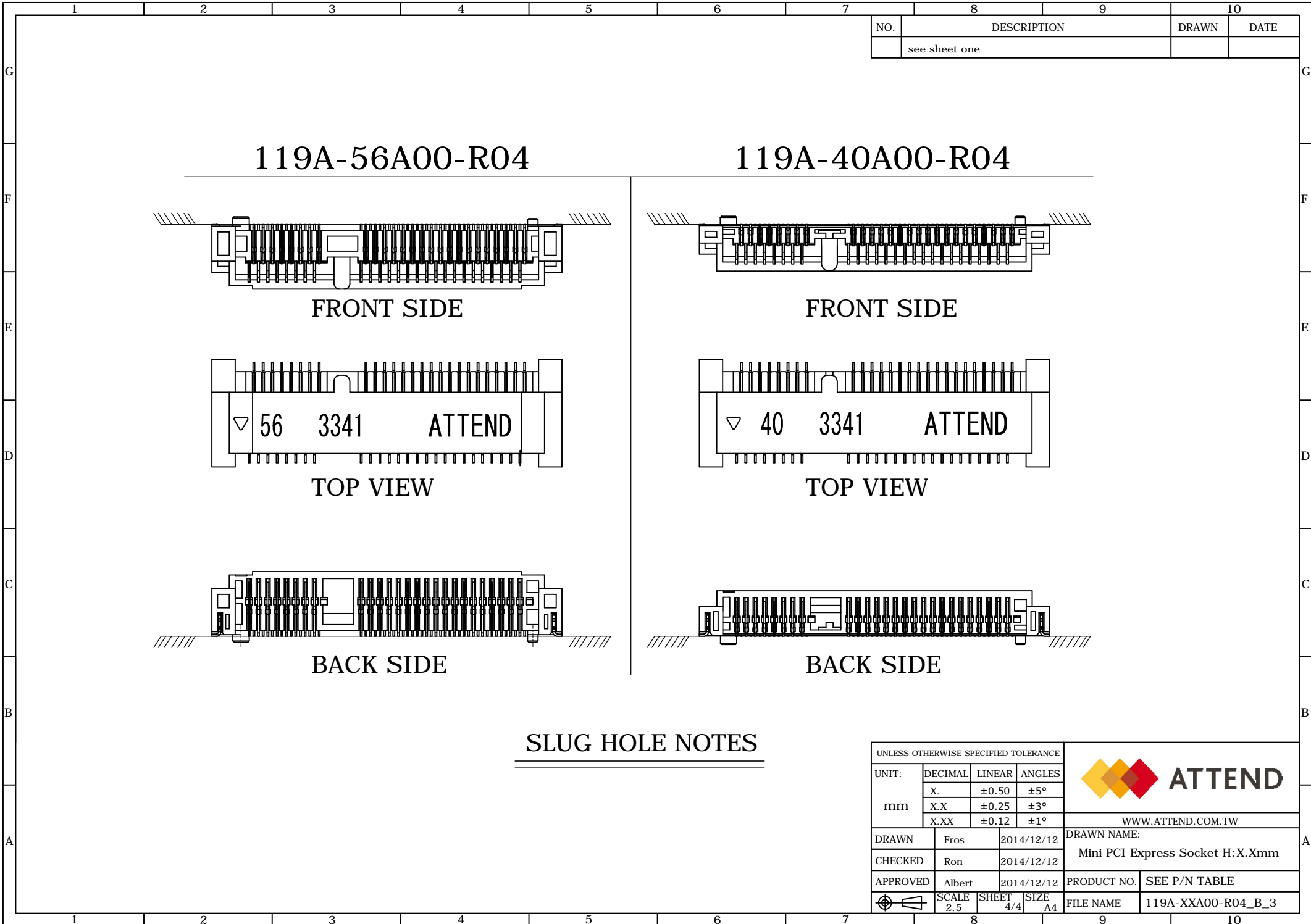
BACK SIDE

SLUG HOLE NOTES

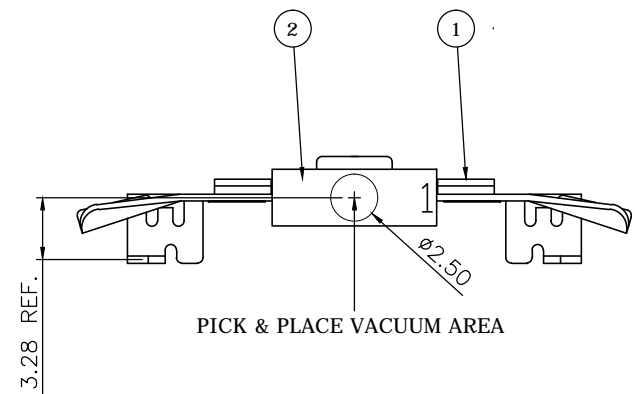
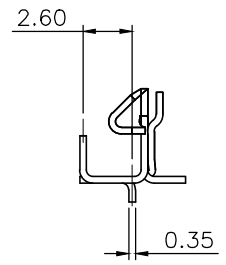
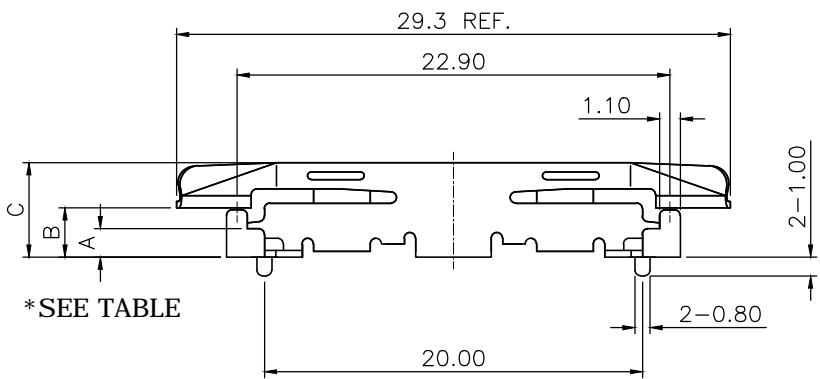
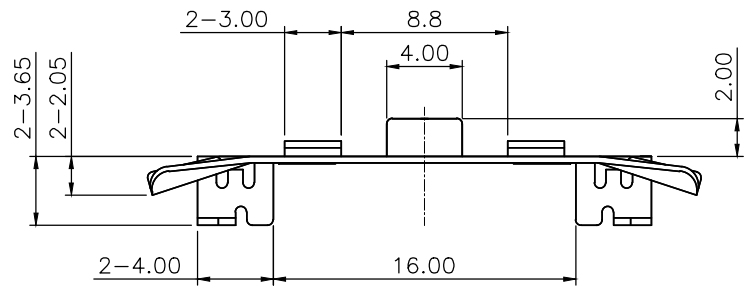
UNLESS OTHERWISE SPECIFIED TOLERANCE			
UNIT:	DECIMAL	LINEAR	ANGLES
mm	X.	±0.50	±5°
	X.X	±0.25	±3°
	X.XX	±0.12	±1°
DRAWN	Fros	2014/12/12	DRAWN NAME: Mini PCI Express Socket H:X.Xmm
CHECKED	Ron	2014/12/12	
APPROVED	Albert	2014/12/12	PRODUCT NO. SEE P/N TABLE
	SCALE 2.5	SHEET 4/4	SIZE A4
	FILE NAME	119A-XXA00-R04_B_3	



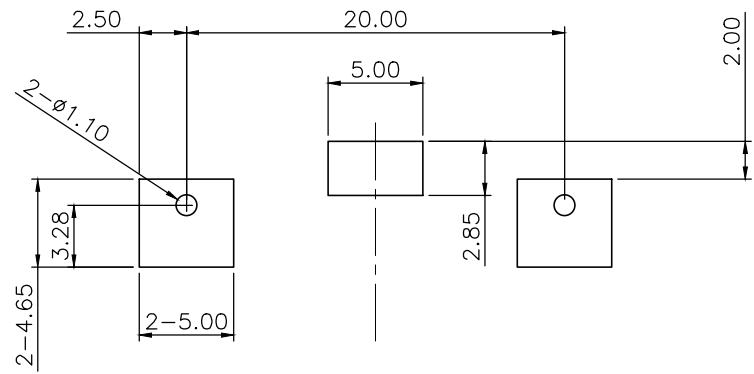
WWW.ATTEND.COM.TW



REV.	DESCRIPTION	DRAWN	DATE
1	INITIAL RELEASE	FROS	2014/12/15



DIMENSIONS TABLE			
A	B	C	P/N
1.5	2.6	5.0	119A-40LATCH
3.1	4.2	6.6	119A-56LATCH



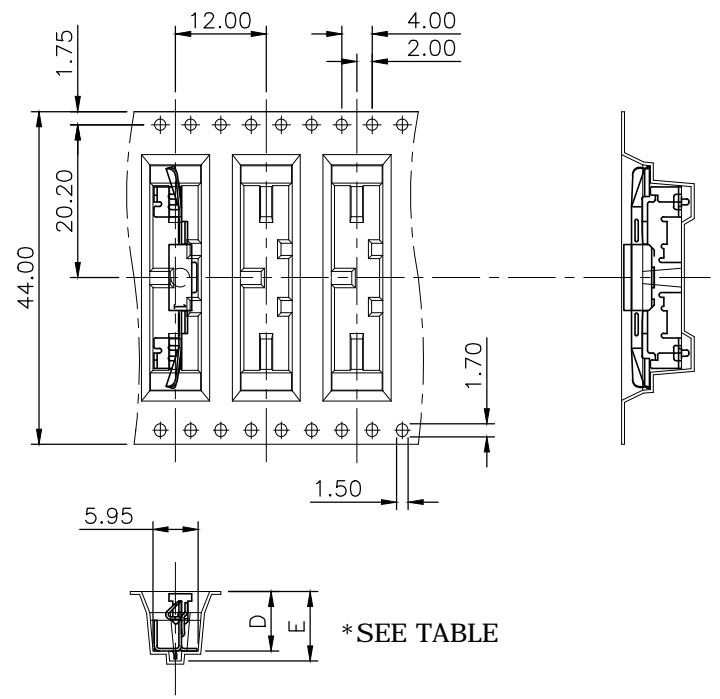
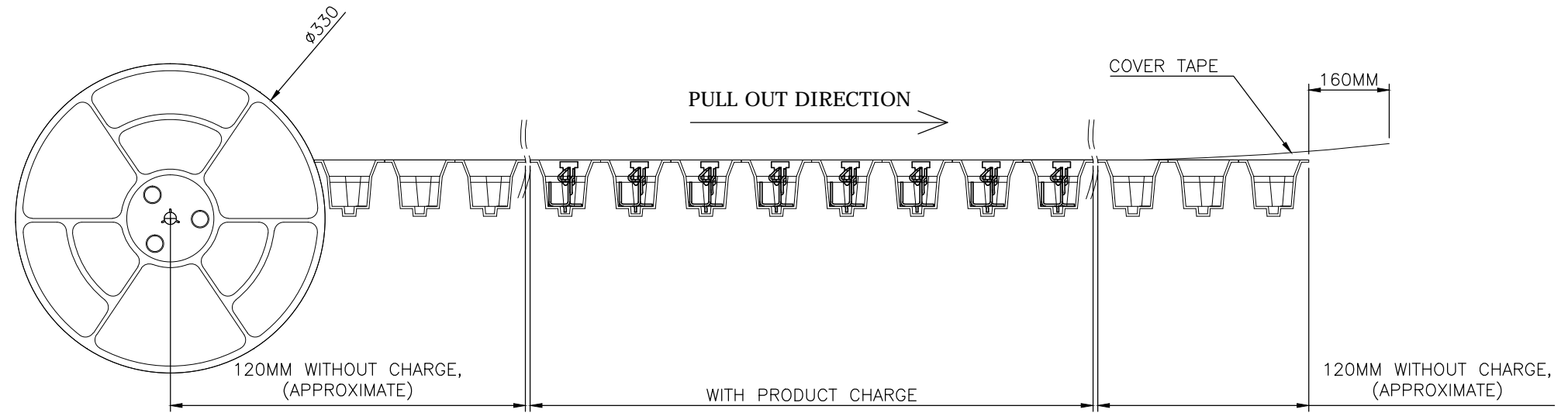
RECOMMEND PCB LAYOUT

2	Holder	LCP, UL94V-0, BLACK	
1	LATCH	SUS301 3/4H, Tin 80~120u" PLATED	
NO. PART NAME		DESCRIPTION	
UNLESS OTHERWISE SPECIFIED TOLERANCE			
UNIT:	DECIMAL	LINEAR	ANGLES
	mm	X. ±0.50	±5°
		X.X ±0.25	±3°
		X.XX ±0.12	±1°
DRAWN		Fros	2014/12/15
CHECKED		Ron	2014/12/15
APPROVED		Albert	2014/12/15
DRAWN NAME:		Mini PCI Express Latch	
PRODUCT NO.		SEE TABLE	
SCALE		SHEET	SIZE
2.5		1/2	A4
FILE NAME		119A-XXLATCH_B_1	




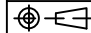
WWW.ATTEND.COM.TW

REV.	DESCRIPTION	DRAWN	DATE
	SEE SHEET 1		

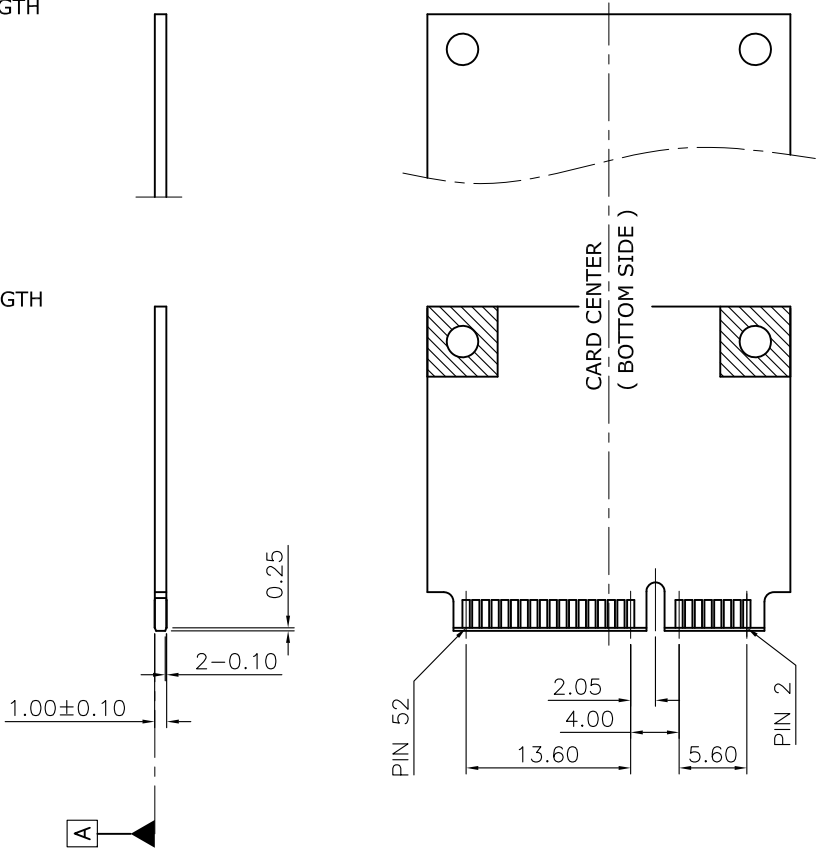
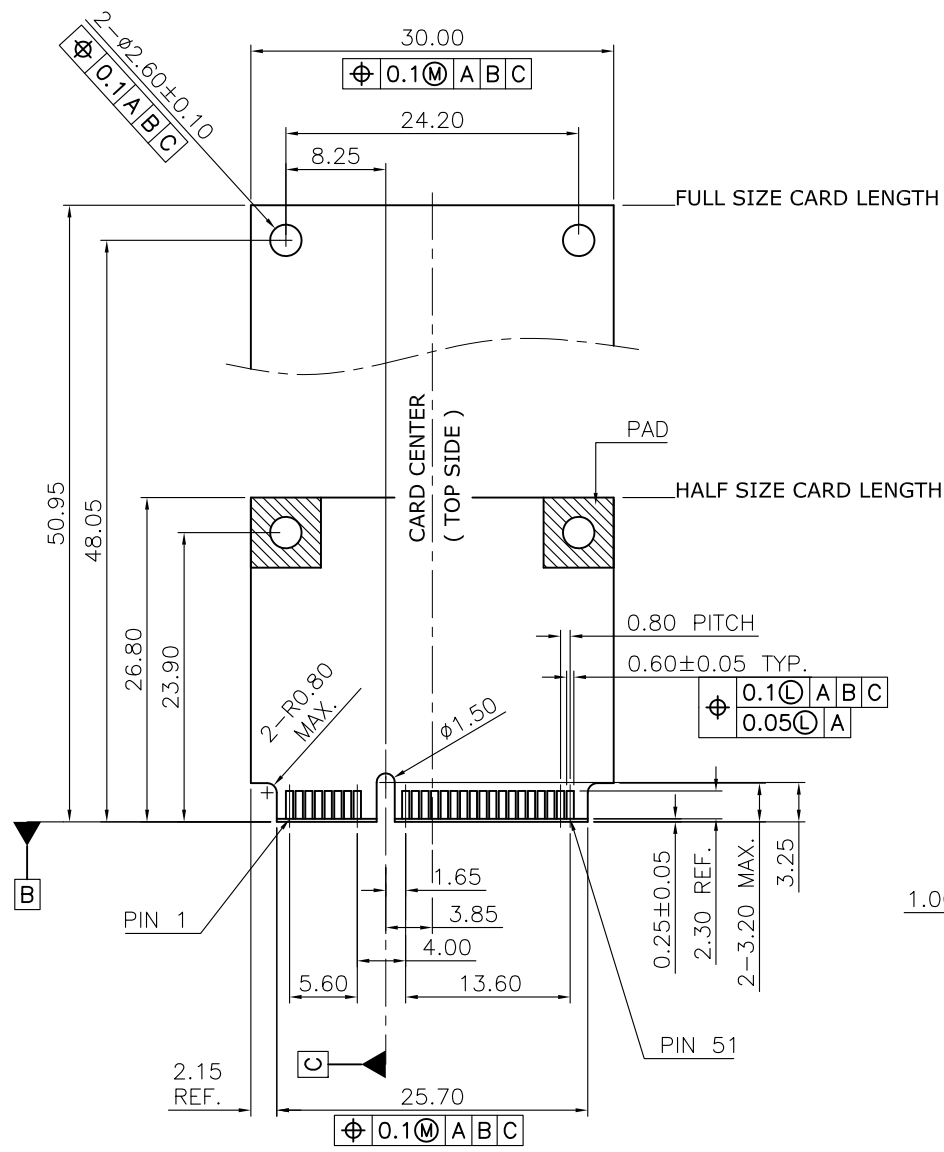



PACKING QUANTITY			
P/N	REEL	CARTON (5 REEL)	PACKING LEIGHT
119A-40LATCH	700 PCS	3500 PCS	8.64 M
119A-56LATCH	550 PCS	2750 PCS	6.84 M

DIMENSIONS TABLE		
D	E	P/N
6.30	7.60	119A-40LATCH
7.90	9.20	119A-56LATCH

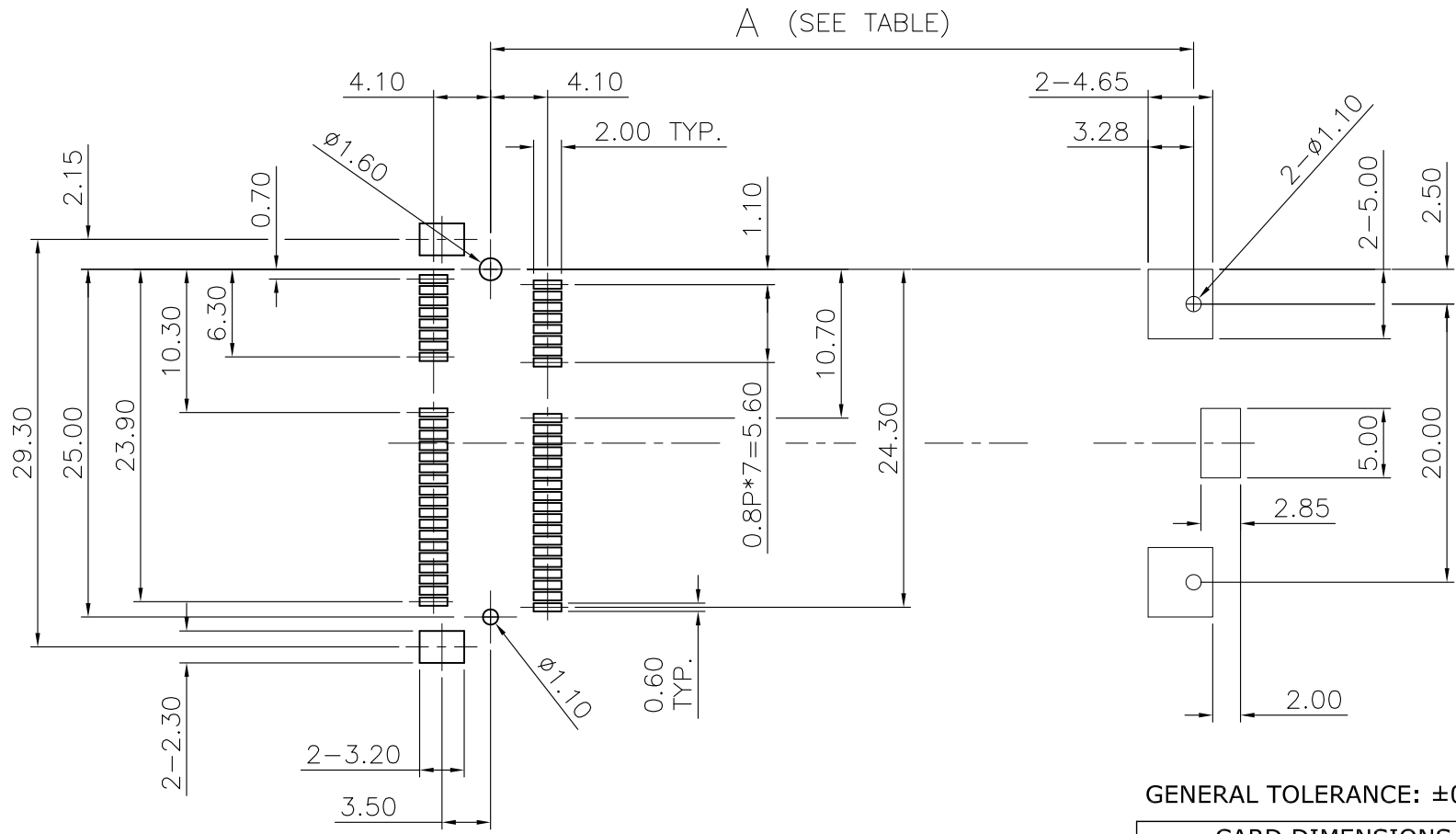
UNLESS OTHERWISE SPECIFIED TOLERANCE				 WWW.ATTEND.COM.TW	
UNIT:	DECIMAL	LINEAR	ANGLES		
mm	X.	±0.50	±5°		
	X.X	±0.25	±3°		
	X.XX	±0.12	±1°		
DRAWN	Fros	2014/12/15	DRAWN NAME:		
CHECKED	Ron	2014/12/15	Mini PCI Express Latch		
APPROVED	Albert	2014/12/15	PRODUCT NO.	SEE TABLE	
	SCALE	SHEET	SIZE	FILE NAME	
	1/1	2/2	A4	119A-XXLATCH_B_1	

REV.	DESCRIPTION	DRAWN	DATE
1	Initial Release	FROS	2014/12/03



UNLESS OTHERWISE SPECIFIED TOLERANCE					
UNIT:	DECIMAL	LINEAR	ANGLES		
mm	X.	±0.50	±5°	WWW.ATTEND.COM.TW	
	X.X	±0.25	±3°		
	X.XX	±0.12	±1°		
DRAWN	Fros	2014/12/03	DRAWN NAME:		
CHECKED	Ron	2014/12/03	PHYSICAL DIMENSIONS OF		
APPROVED	Albert	2014/12/03	PCI EXPRESS MINI CARD		
SCALE	1.6/1	SHEET	1/1	SIZE	A4
PRODUCT NO.					
FILE NAME	119A-CARD_1				

REV.	DESCRIPTION	DRAWN	DATE
1	Initial Release	FROS	2014/12/15



GENERAL TOLERANCE: ±0.05mm

CARD DIMENSIONS		A
FULL SIZE	30*50.95mm	50.58mm
HALF SIZE	30*26.80mm	26.43mm

UNLESS OTHERWISE SPECIFIED TOLERANCE			
UNIT:	DECIMAL	LINEAR	ANGLES
mm	X.	±0.50	±5°
	X.X	±0.25	±3°
	X.XX	±0.12	±1°

DRAWN			Fros	2014/12/15	DRAWN NAME: Recommend PCB Layout 119A-XXA00-R04 + 119A-XXLATCH				
CHECKED			Ron	2014/12/15					
APPROVED			Albert	2014/12/15	PRODUCT NO.				
SCALE			1/1	SHEET	1/1	SIZE	A4	FILE NAME	119A-XXA00-R04 + 119A-XXLATCH_1



WWW.ATTEND.COM.TW