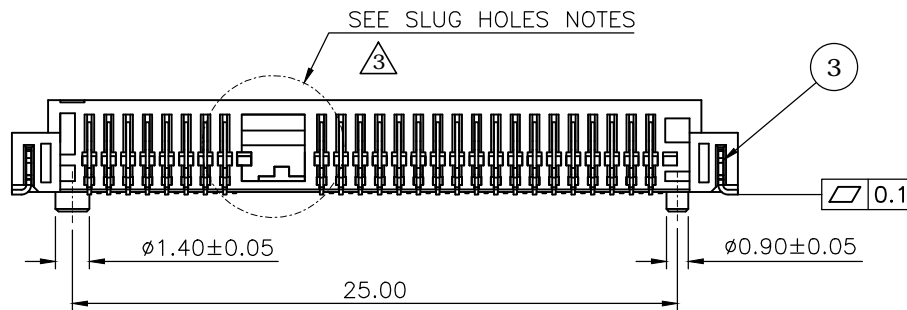
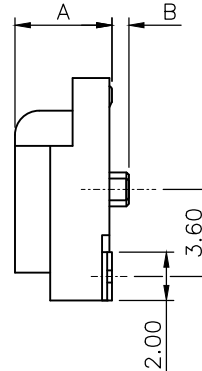


*SEE TABLE



NO.	DESCRIPTION	DRAWN	DATE
2	ADD PACKING & DIMENSIONS TABLE	FROS	2014/12/19
3	ADD PAGE 4, SLUG HOLE NOTES	FROS	2015/08/11
4	REVISED PACKING	FROS	2015/11/23


SPECIFICATION:

1. ELECTRICAL
 - 1.1 Current Rating: 0.5A per pin
 - 1.2 Voltage Rating: 50V DC
 - 1.3 Contact Resistance: 55mΩ Max
 - 1.4 Insulation Resistance: 500MΩ Min
 - 1.5 Dielectric Withstanding Voltage: 300VAC
2. MECHANICAL
 - 2.1 Durability: 100 Cycle
 - 2.2 Insertion Force: 2.3Kgf max.
 - 2.3 Extraction Force: 2.3Kgf max.
3. ENVIRONMENTAL
 - 3.1 Operating temperature range: -40°C~+85°C
 - 3.2 Storage temperature range: -40°C~+85°C
4. SOLDER ABILITY
 - 4.1 Recommended IR Reflow Temperature: 260°C 10Sec

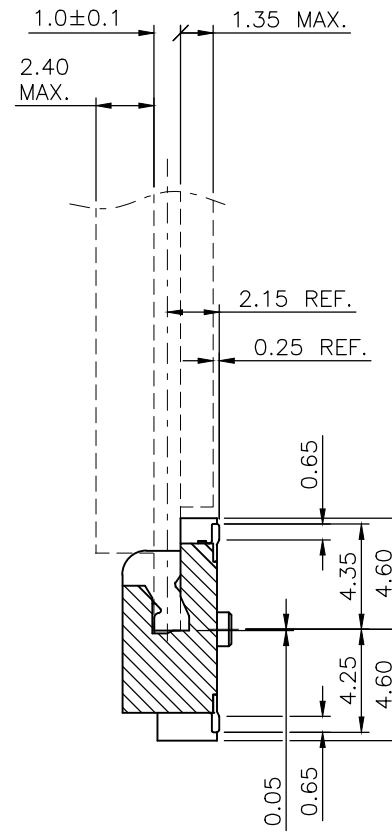
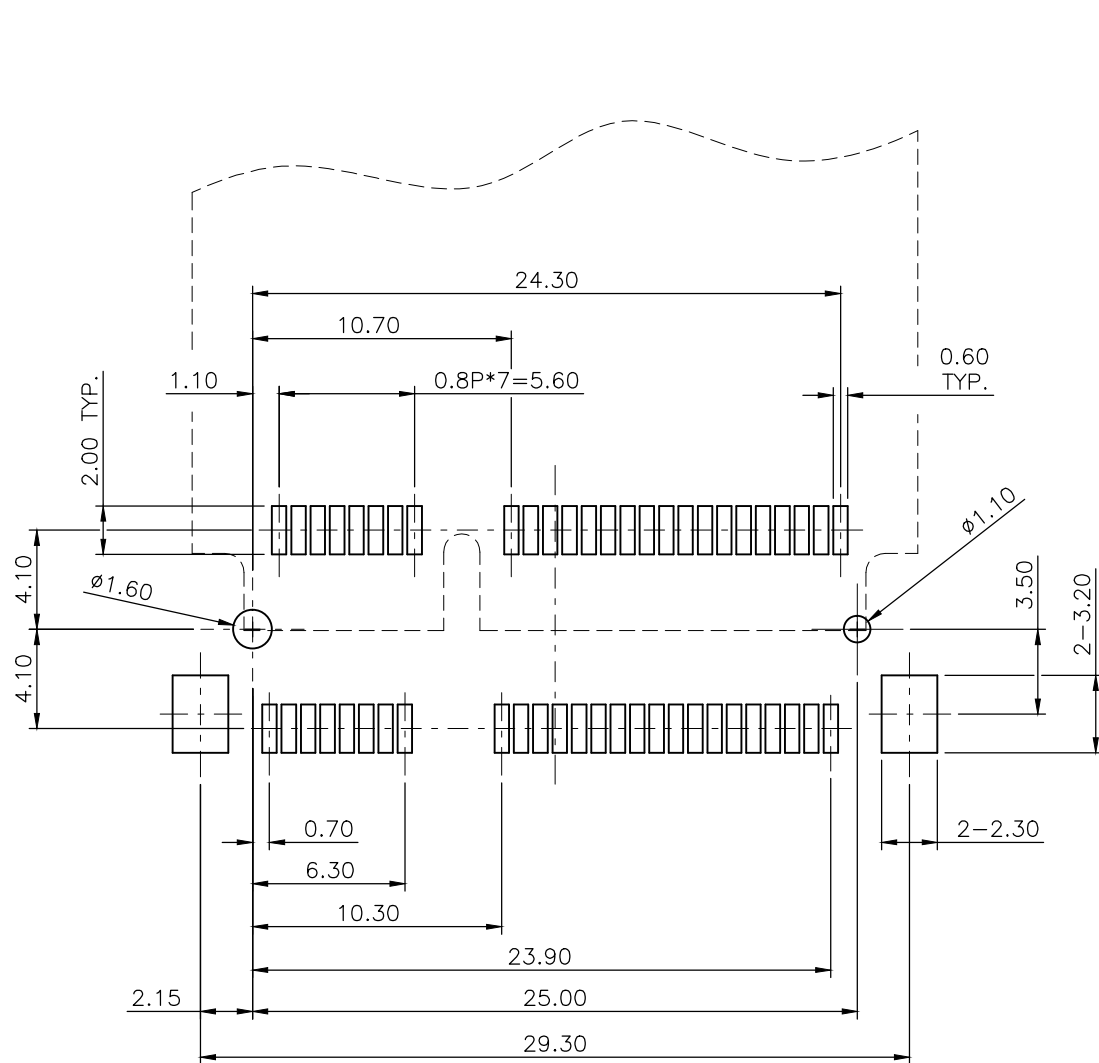
DIMENSIONS TABLE		
A	B	P/N
4.0	0.7	119A-40A00-R04
5.6	0.5	119A-56A00-R04

NOTE: 1
 DATE CODE: 3 3 4 1
 YEAR 2013 DAY 1 AT WEEK
 WEEK 34

3	HOLDDOWN	Brass C2680, Tin Plated
2	CONTACT	Phosphor Bronze C5210, Contact Area: Gold Flash Over Nickel
1	HOUSING	LCP UL94V-0, Black

NO. PART NAME		DESCRIPTION		
UNLESS OTHERWISE SPECIFIED TOLERANCE				
UNIT:	DECIMAL	LINEAR	ANGLES	
	X.	±0.50	±5°	
	X.X	±0.25	±3°	
	X.XX	±0.12	±1°	
 WWW.ATTEND.COM.TW				
DRAWN	Fros	2014/12/12	DRAWN NAME: Mini PCI Express Socket H:X.Xmm	
CHECKED	Ron	2014/12/12		
APPROVED	Albert	2014/12/12	PRODUCT NO. SEE P/N TABLE	
SCALE 3.2		SHEET 1/4	SIZE A4	FILE NAME 119A-XXA00-R04_B_4


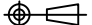
NO.	DESCRIPTION	DRAWN	DATE
	SEE SHEE 1		



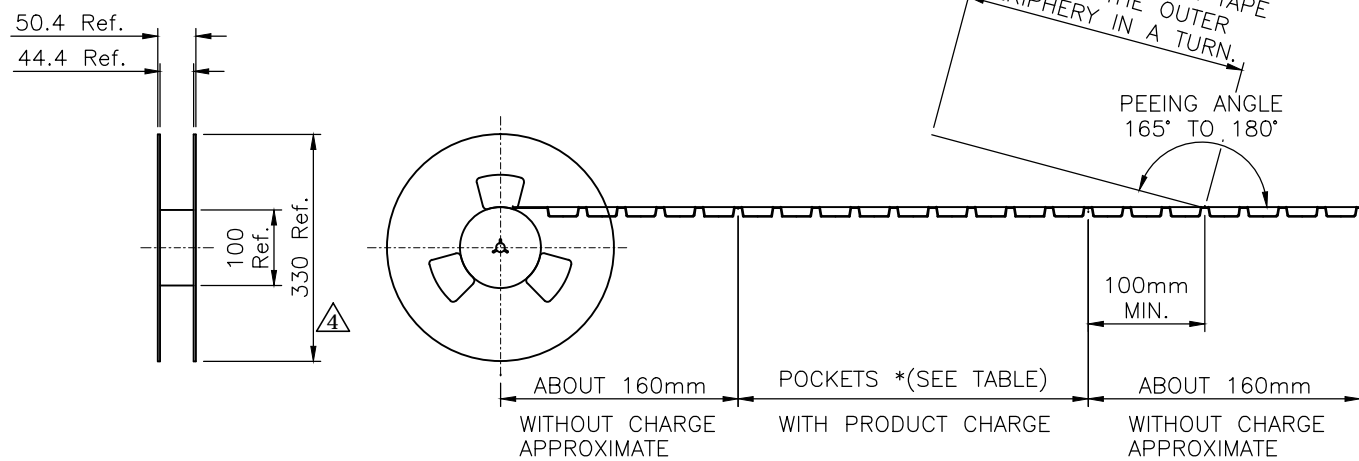
RECOMMEND PCB LAYOUT, TOP VIEW

----- IS CARD
 _____ IS PAD LAYOUT

GENERAL TOLERANCE: ±0.05

UNLESS OTHERWISE SPECIFIED TOLERANCE				 ATTEND WWW.ATTEND.COM.TW
UNIT:	DECIMAL	LINEAR	ANGLES	
mm	X.	±0.50	±5°	
	X.X	±0.25	±3°	
	X.XX	±0.12	±1°	
DRAWN	Fros	2014/12/12	DRAWN NAME:	
CHECKED	Ron	2014/12/12	Mini PCI Express Socket H:X.Xmm	
APPROVED	Albert	2014/12/12	PRODUCT NO.	SEE P/N TABLE
 SCALE 3.2		SHEET 2/4	SIZE A4	FILE NAME 119A-XXA00-R04_B_4

NO.	DESCRIPTION	DRAWN	DATE
	SEE SHEE 1		

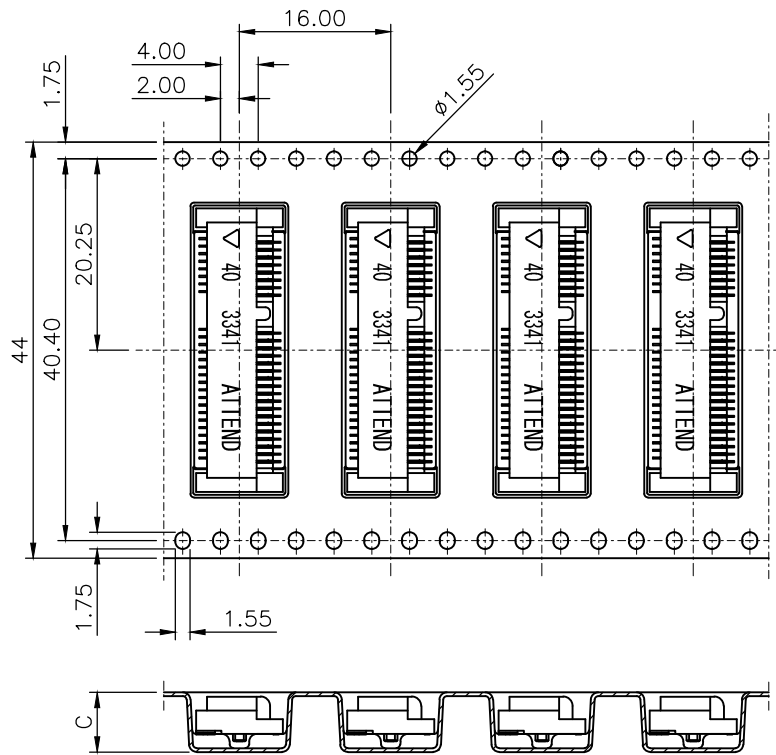


NOTE:

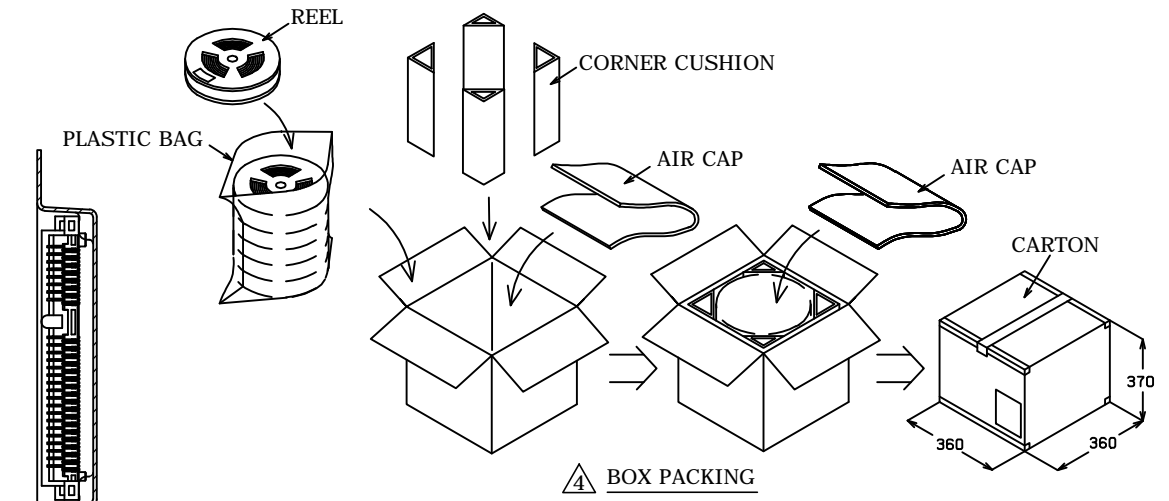
1. PEELING RESISTANCE: 0.1N~0.13N (10gf~130gf)
PEELING ANGLE: 165°~180°
PEELING SPEED: 300mm/min.
2. PACKING STYLE
6 REEL/CARTON

PACKING TABLE		
P/N	Q'TY/ REEL	Q'TY/ CARTON
119A-40A00-R04	700 PCS	4,200 PCS
119A-56A00-R04	550 PCS	3,300 PCS

REEL DIMENSIONS
SCALE 1/10



*SEE TABLE



DIMENSIONS TABLE	
C	P/N
6.30	119A-40A00-R04
7.90	119A-56A00-R04

UNLESS OTHERWISE SPECIFIED TOLERANCE			
UNIT:	DECIMAL	LINEAR	ANGLES
mm	X.	±0.50	±5°
	X.X	±0.25	±3°
	X.XX	±0.12	±1°

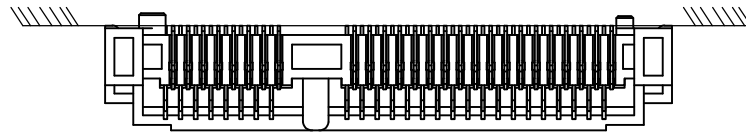


DRAWN NAME:		Mini PCI Express Socket H:X.Xmm	
DRAWN		Fros 2014/12/12	
CHECKED		Ron 2014/12/12	
APPROVED		Albert 2014/12/12	
SCALE	SHEET	SIZE	FILE NAME
1.25	3/4	A4	119A-XXA00-R04_B_4

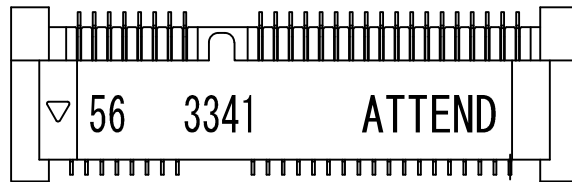
WWW.ATTEND.COM.TW

NO.	DESCRIPTION	DRAWN	DATE
	see sheet one		

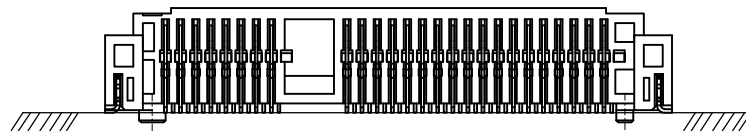
119A-56A00-R04



FRONT SIDE

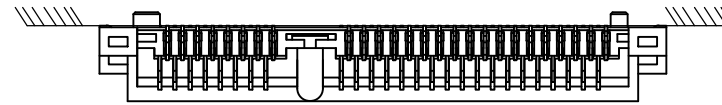


TOP VIEW

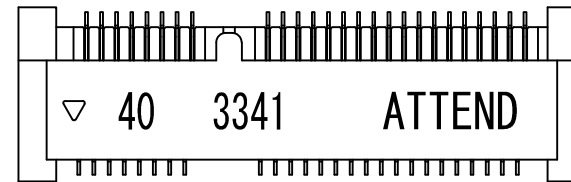


BACK SIDE

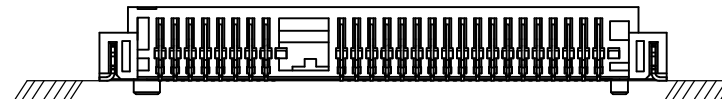
119A-40A00-R04



FRONT SIDE



TOP VIEW



BACK SIDE

SLUG HOLE NOTES

UNLESS OTHERWISE SPECIFIED TOLERANCE			
UNIT:	DECIMAL	LINEAR	ANGLES
mm	X.	±0.50	±5°
	X.X	±0.25	±3°
	X.XX	±0.12	±1°
DRAWN	Fros	2014/12/12	DRAWN NAME: Mini PCI Express Socket H:X.Xmm
CHECKED	Ron	2014/12/12	
APPROVED	Albert	2014/12/12	
SCALE	2.5	SHEET	4/4
SIZE	A4	FILE NAME	119A-XXA00-R04_B_4

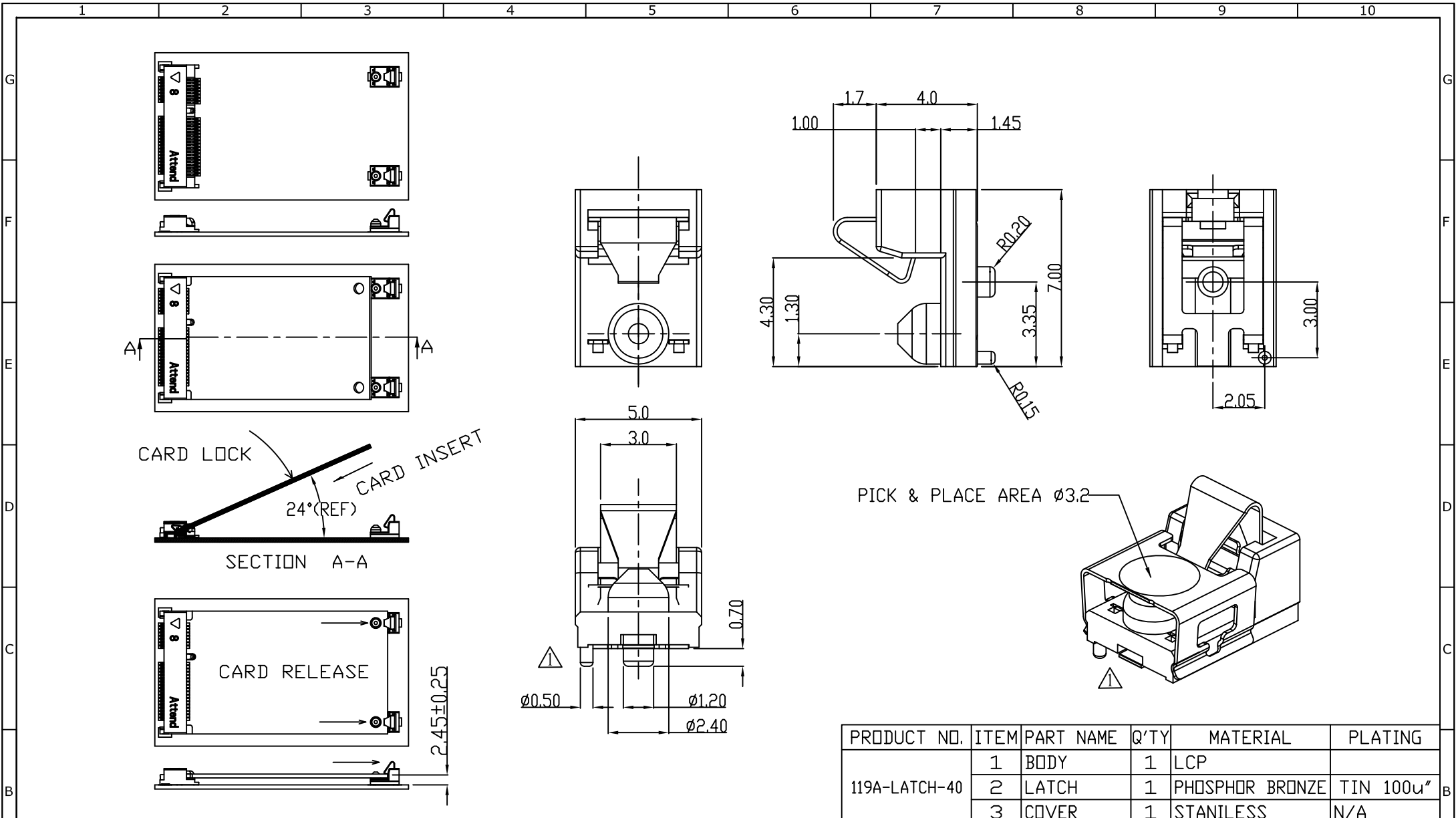


WWW.ATTEND.COM.TW

DRAWN NAME:
Mini PCI Express Socket H:X.Xmm

PRODUCT NO. SEE P/N TABLE

FILE NAME 119A-XXA00-R04_B_4



PRODUCT NO.	ITEM	PART NAME	Q'TY	MATERIAL	PLATING
119A-LATCH-40	1	BODY	1	LCP	
	2	LATCH	1	PHOSPHOR BRONZE	TIN 100u"
	3	COVER	1	STAINLESS	N/A

UNLESS OTHERWISE SPECIFIED TOLERANCE		
ANGLES	ANG.	±5°
LINEAR	0.	±0.3
	0.0	±0.25
	0.00	±0.20
SCALE	AS SHOWN	UNIT: mm
DRAWN	Willis	2012/08/03
CHECKED	Angel	2012/08/03
APPROVED	Ken	2012/08/03

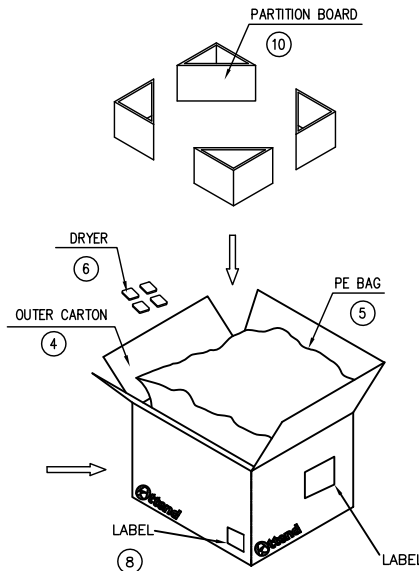
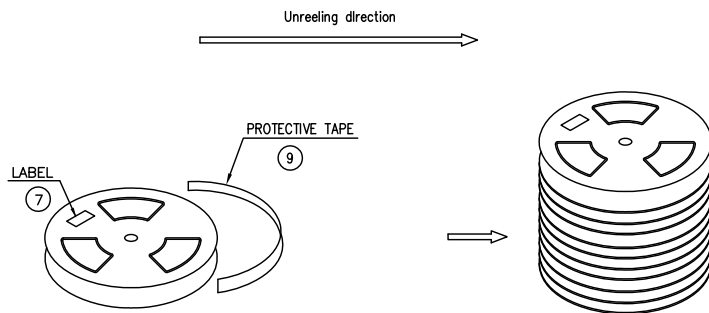
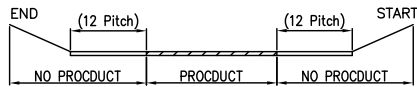
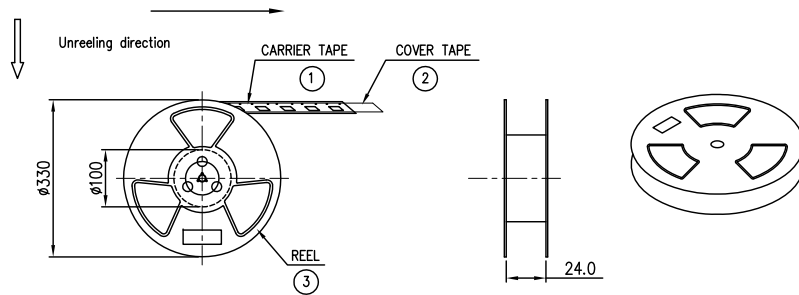
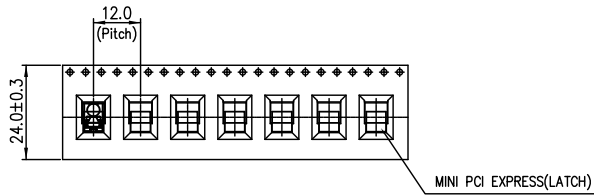


www.attend.com.tw

DRAWN NAME: Mini PCI Express Latch H:4.0

PRODUCT NO. 119A-LATCH-40

REV.	DESCRIPTION	DATE	REV.	DESCRIPTION	DATE
1	Revise: (1) Peg (2)Housing(3)Solder Pad	2010/01/15			



NOTES:

- PACKING STYLE
 - 119A-LATCH-40 (4.0H) 700 PCS/REEL 7000 PCS/OUTER CARTON
 - 119A-LATCH-56 (5.6H) 550 PCS/REEL 5500 PCS/OUTER CARTON
 - 119A-LATCH-80 (8.0H) 400 PCS/REEL 4000 PCS/OUTER CARTON
 - 119A-LATCH-92 (9.2H) 300 PCS/REEL 3000 PCS/OUTER CARTON
- MATERIAL CARRIER TAPE: PS BLACK
COVER TAPE: PET FILM
REEL: PLASTIC
- PEEL STRENGTH OF COVER TAPE: 20-80g (PEEL SPEED 300mm/MINUTE).

10	PARTITION BOARD	4	PCS		
9	PROTECTIVE TAPE	3	PCS		
8	LABEL	1	PCS		
7	LABEL	6	PCS		
6	DRYER	4	BAG		
5	PE BAG	1	PCS	L850*W750mm	
4	OUTER CARTON	1	PCS		
3	REEL	10	SET	φ330*100mm,W=44mm	
2	COVER TAPE	SEE NOTES	10	PCS	W=21.5mm
1	CARRIER TAPE			PCS	W=24mm,T=0.5mm
NO	PACKING NAME	PCS/R/R/BOX	UNIT	NOTE	

UNLESS OTHERWISE SPECIFIED TOLERANCE		
ANGLES	ANG.	±5°
LINEAR	0.	±0.3
	0.0	±0.25
	0.00	±0.20
SCALE	AS SHOWN	UNIT: mm
DRAWN	Willis	2012/08/03
CHECKED	Angel	2012/08/03
APPROVED	Ken	2012/08/03



www.attend.com.tw

DRAWN NAME: Mini PCI Express Latch

PRODUCT NO. 119A-LATCH-XX

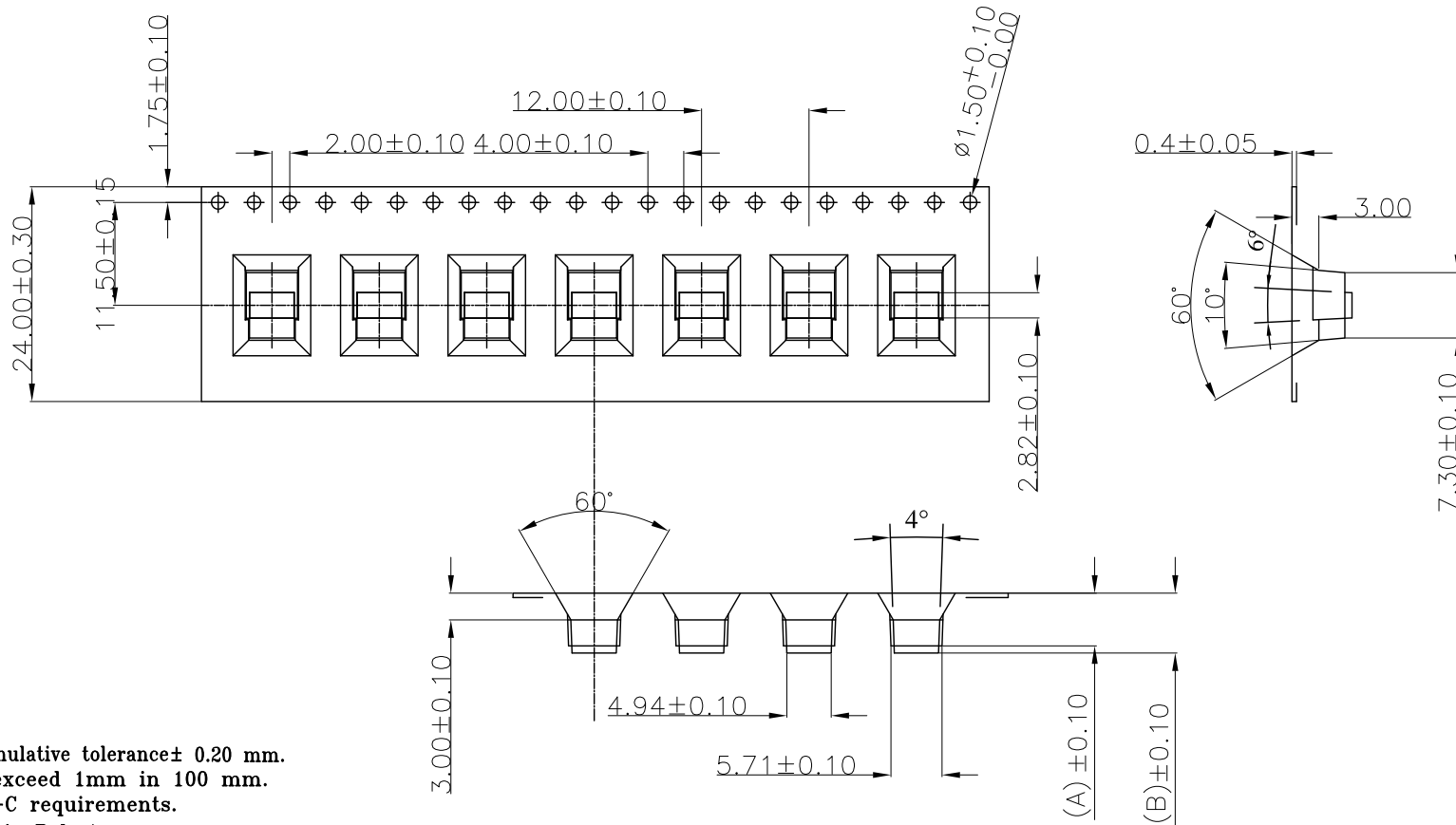
FILE NAME 119A-LATCH-XX_D_2

REV.	DESCRIPTION	DATE	REV.	DESCRIPTION	DATE
3	Revise:				
2	Revise:				
1	Revise:				



SIZE A4

REV. 1.0




NOTES:

1. 10 sprocket hole pitch cumulative tolerance ± 0.20 mm.
2. Carrier camber not to exceed 1mm in 100 mm.
3. All scope meet EIA-481-C requirements.
4. Material: Black Anti-static Polystyrene.
5. Thickness: 0.40 ± 0.05 mm.

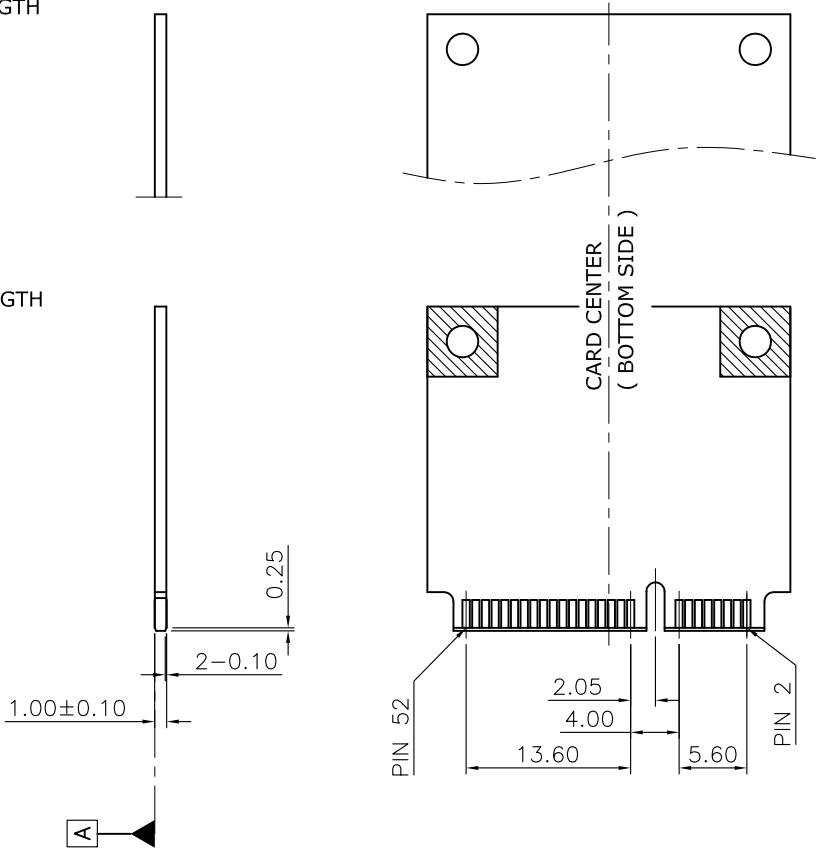
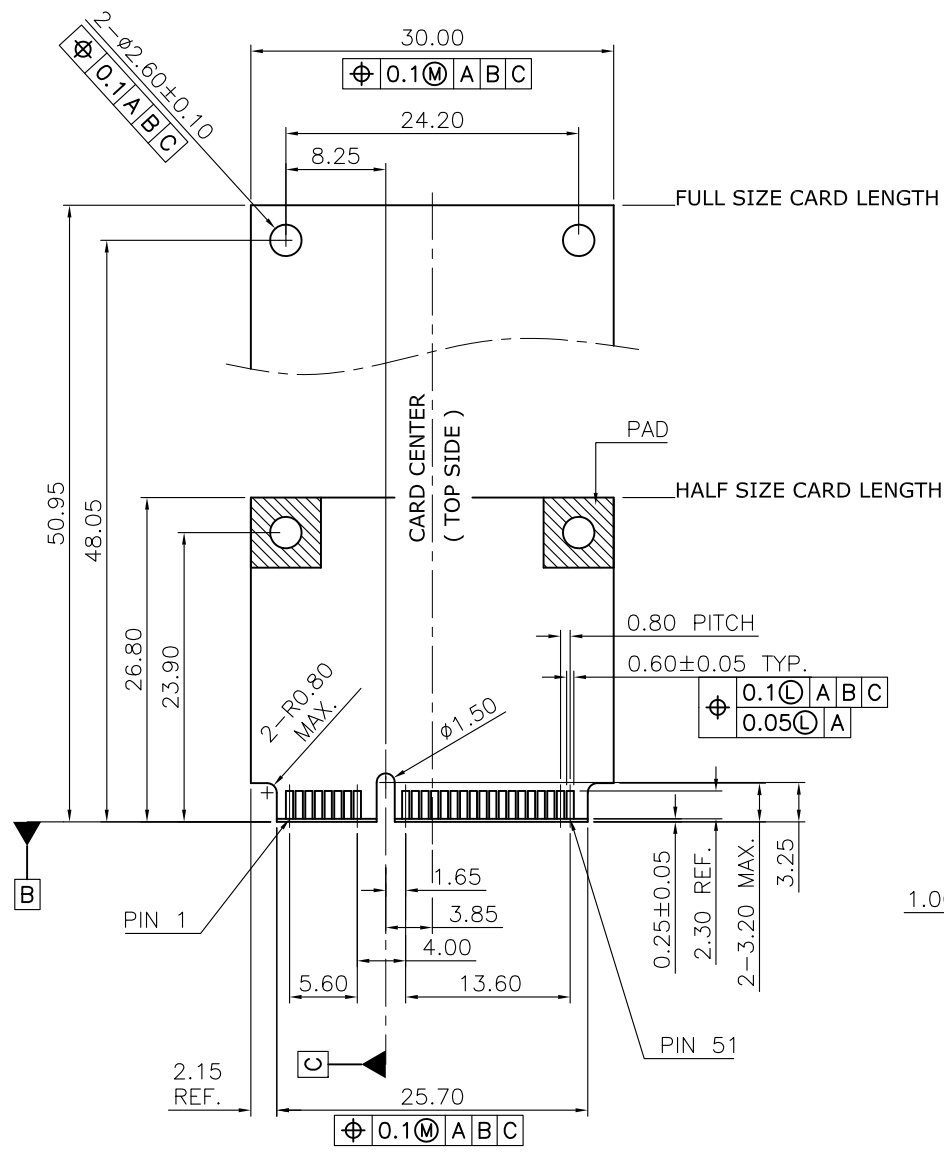
DIM.	119A-LATCH-40	119A-LATCH-52	119A-LATCH-56	119A-LATCH-80	119A-LATCH-92
A	5.90	7.10	7.50	9.90	11.10
B	6.70	7.90	8.30	10.70	11.90


REV.	DESCRIPTION	DATE	REV.	DESCRIPTION	DATE
1			4		
2			5		
3			6		

UNLESS OTHERWISE SPECIFIED TOLERANCE		
ANGLES	ANG.	$\pm 5^\circ$
LINEAR	0.	± 0.3
	0.0	± 0.25
	0.00	± 0.20
SCALE	AS SHOWN	UNIT: mm
DRAWN	Willis	2012/08/03
CHECKED	Angel	2012/08/03
APPROVED	Ken	2012/08/03
SIZE	A4	REV. 1.0

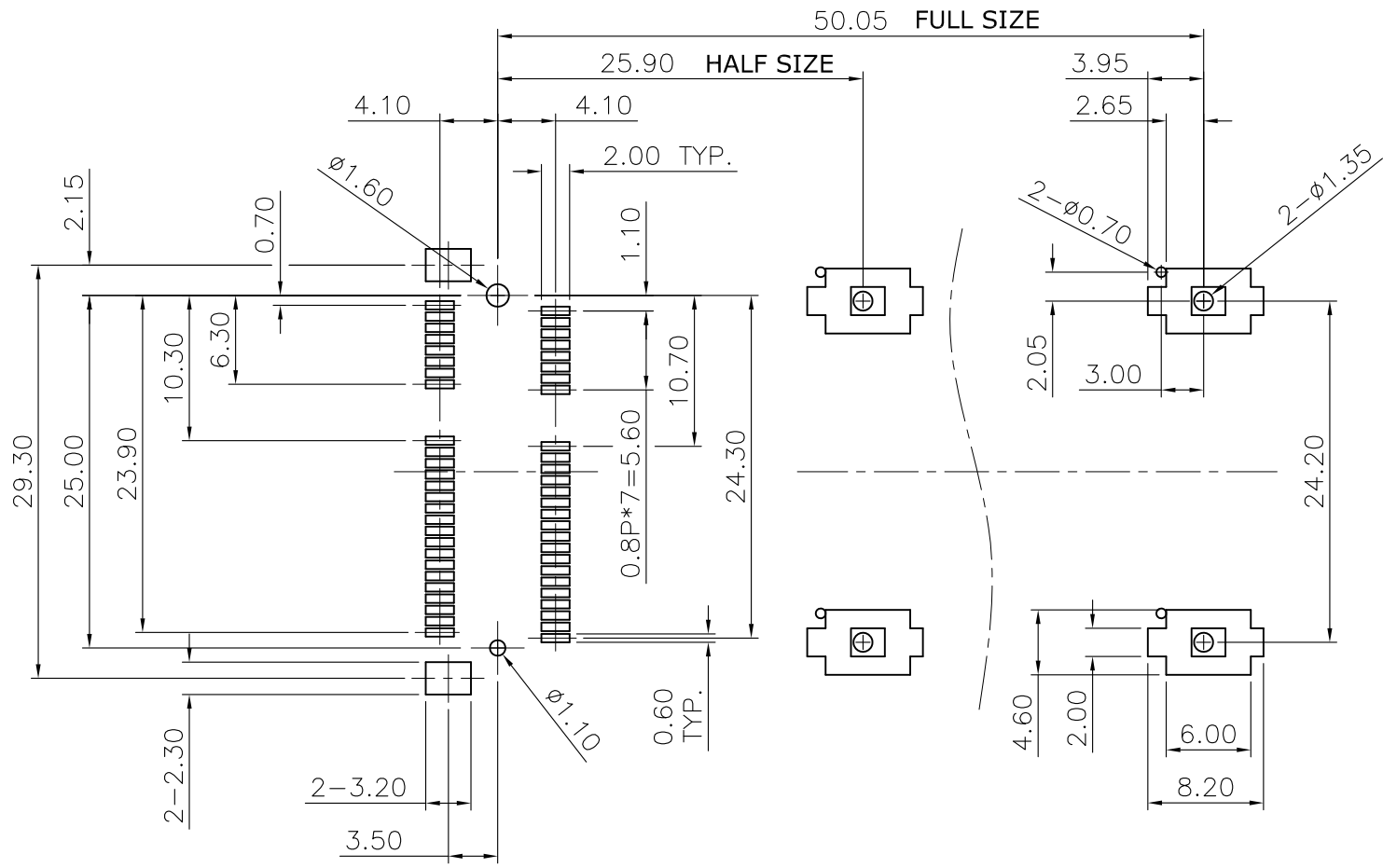

ATTEND
www.attend.com.tw
 DRAWN NAME: Mini PCI Express Latch
 PRODUCT NO. 119A-LATCH-XX
 FILE NAME 119A-LATCH-XX_D_2

REV.	DESCRIPTION	DRAWN	DATE
1	Initial Release	FROS	2014/12/03




UNLESS OTHERWISE SPECIFIED TOLERANCE					
UNIT:	DECIMAL	LINEAR	ANGLES		
mm	X.	±0.50	±5°	WWW.ATTEND.COM.TW	
	X.X	±0.25	±3°		
	X.XX	±0.12	±1°		
DRAWN	Fros	2014/12/03	DRAWN NAME:		
CHECKED	Ron	2014/12/03	PHYSICAL DIMENSIONS OF		
APPROVED	Albert	2014/12/03	PCI EXPRESS MINI CARD		
SCALE	1.6/1	SHEET	1/1	SIZE	A4
PRODUCT NO.	FILE NAME				
					119A-CARD_1

REV.	DESCRIPTION	DRAWN	DATE
1	Initial Release	FROS	2014/12/15



GENERAL TOLERANCE: $\pm 0.05\text{mm}$

UNLESS OTHERWISE SPECIFIED TOLERANCE					
UNIT:	DECIMAL	LINEAR	ANGLES		
mm	X.	± 0.50	$\pm 5^\circ$	WWW.ATTEND.COM.TW	
	X.X	± 0.25	$\pm 3^\circ$		
	X.XX	± 0.12	$\pm 1^\circ$		
DRAWN	Fros	2014/12/15	DRAWN NAME:		
CHECKED	Ron	2014/12/15	Recommend PCB Layout		
APPROVED	Albert	2014/12/15	119A-XXA00-R04 + 119A-LATCH-XX		
SCALE	1/1	SHEET	1/1	SIZE	A4
FILE NAME		119A-XXA00-R04 + 119A-LATCH-XX_1			