

Recommended P.C.Board Layout.

Note:  
Standard Card: X=48.05mm  
(Card Length 50.95mm)

Short Card: X=23.90mm  
(Card Length 26.65mm)

UNLESS OTHERWISE SPECIFIED TOLERANCE		
ANGLES	ANG.	±5°
LINEAR	0.	±0.3
	0.0	±0.25
	0.00	±0.20
SCALE	AS SHOWN	UNIT: mm
DRAWN	Willis	2012/08/03
CHECKED	Angel	2012/08/03
APPROVED	Ken	2012/08/03



www.attend.com.tw

DRAWN NAME:  
Mini PCI Express Socket Layout

PRODUCT NO.

REV.	DESCRIPTION	DATE	REV.	DESCRIPTION	DATE

SIZE A4 REV. 1.0

FILE NAME

A

A

B

B

C

C

D

D

E

E

F

F

G

G

1

2

3

4

5

6

7

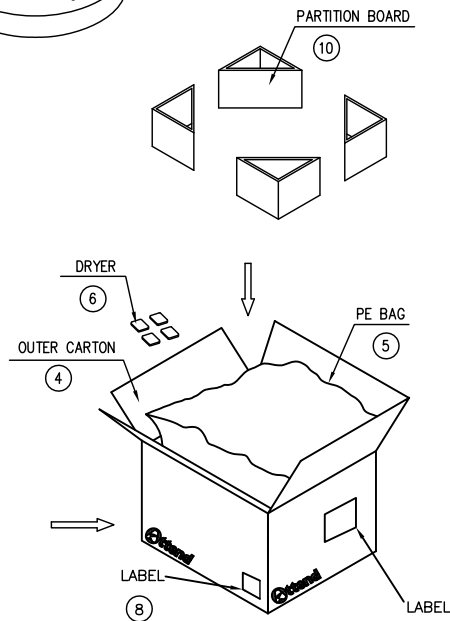
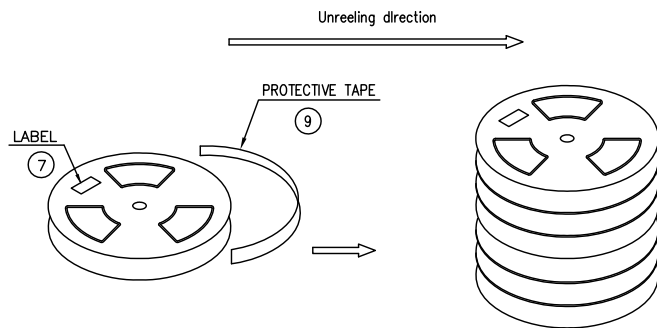
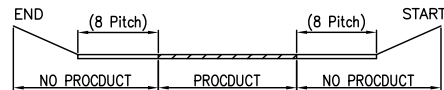
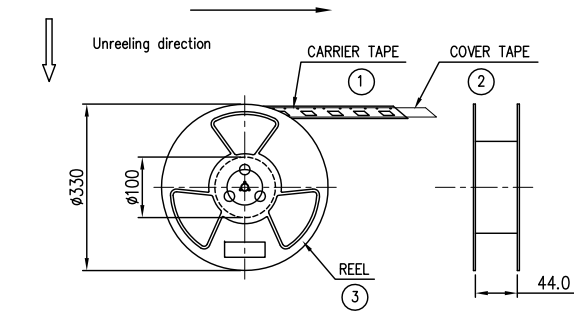
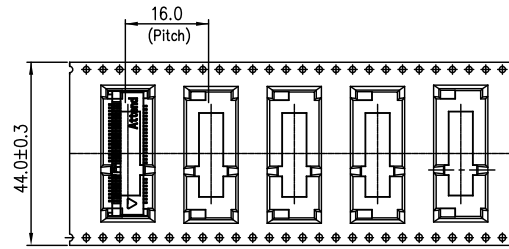
8

9

10







NOTES:  
1. PACKING STYLE:

119A-40A00-R02  
700 PCS/REEL  
4200 PCS/OUTER CARTON

119A-56A00-R02  
550 PCS/REEL  
3300 PCS/OUTER CARTON

119A-80A00-R02  
400 PCS/REEL  
2400 PCS/OUTER CARTON

① ②  
119A-92A00-R02  
300 PCS/REEL  
1800 PCS/OUTER CARTON

2. MATERIAL CARRIER TAPE: PS BLACK  
COVER TAPE: PET FILM  
REEL: PLASTIC

3. PEEL STRENGTH OF COVER TAPE: 20-80g (PEEL SPEED 300mm/MINUTE).

10	PARTITION BOARD	4	PCS	
9	PROTECTIVE TAPE	3	PCS	
8	LABEL	1	PCS	
7	LABEL	6	PCS	
6	DRYER	4	BAG	
5	PE BAG	1	PCS	L850*W750mm
4	OUTER CARTON	1	PCS	
3	REEL	6	SET	φ330*100mm, W=44mm
2	COVER TAPE	SEE NOTES	6	PCS
1	CARRIER TAPE			W=37.5mm
				W=44mm, T=0.35mm
NO	PACKING NAME		PCS/R/R/BOX	UNIT
			PACKING QTY	NOTE

UNLESS OTHERWISE SPECIFIED TOLERANCE

ANGLES	ANG.	±5°
LINEAR	0.	±0.3
	0.0	±0.25
	0.00	±0.20

SCALE AS SHOWN UNIT: mm

DRAWN Willis 2012/08/03

CHECKED Angel 2012/08/03

APPROVED Ken 2012/08/03

SIZE A4 REV. 1.0



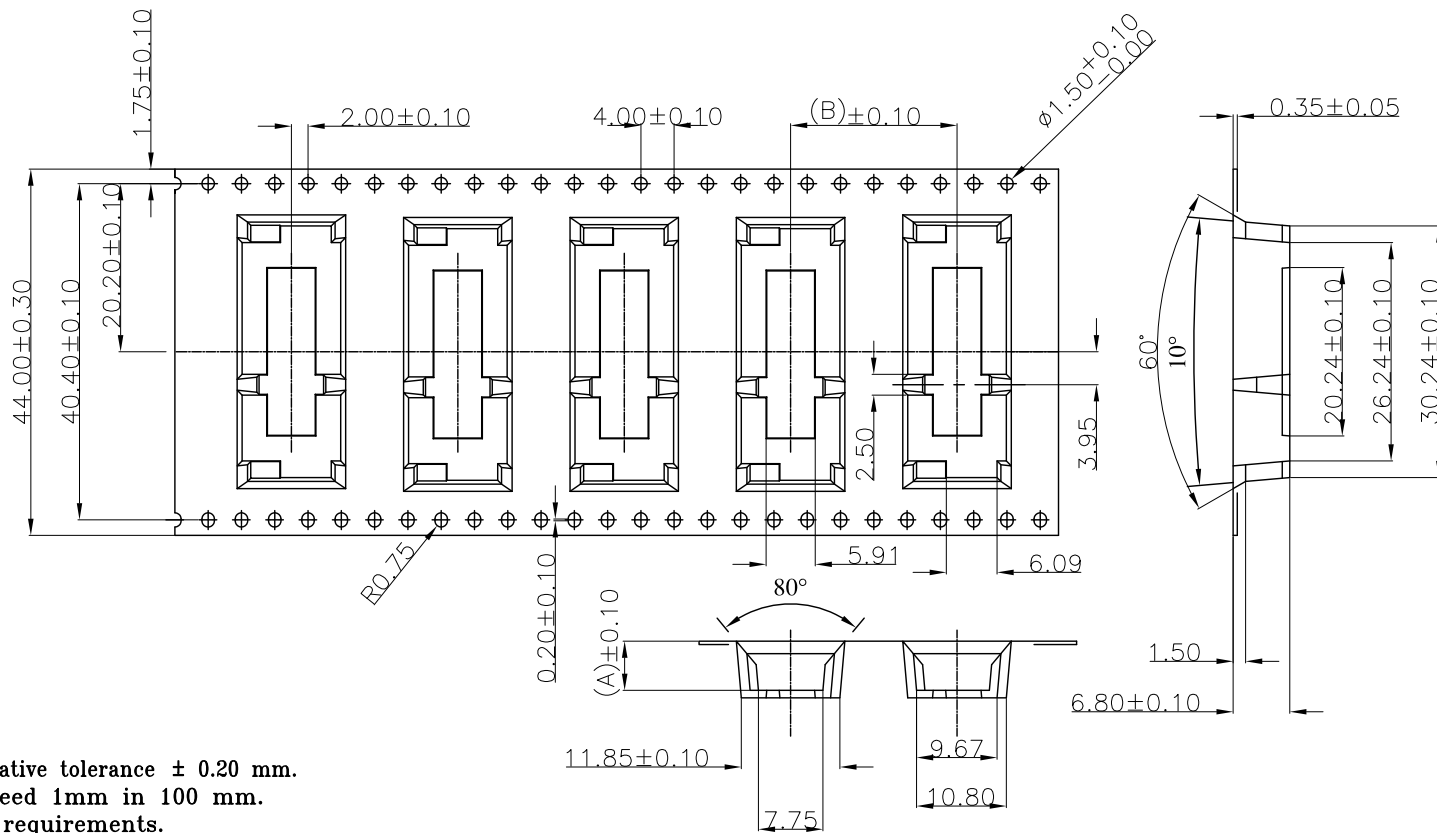
www.attend.com.tw

DRAWN NAME: Mini PCI Express Socket

PRODUCT NO. 119A-XXA00-R02

FILE NAME 119A-XXA00-R02\_D\_4

REV.	DESCRIPTION	DATE	REV.	DESCRIPTION	DATE
③	Revise:				
②	Revise: NOTE 9.2H 300PCS/REEL	2010/04/30			
①	Revise: NOTE 9.2H 350PCS/REEL	2010/01/21			



**NOTES:**

1. 10 sprocket hole pitch cumulative tolerance  $\pm 0.20$  mm.
2. Carrier camber not to exceed 1mm in 100 mm.
3. All scope meet EIA-481-C requirements.
4. Material: Black Anti-static Polystyrene.
5. Thickness:  $0.35 \pm 0.05$  mm.

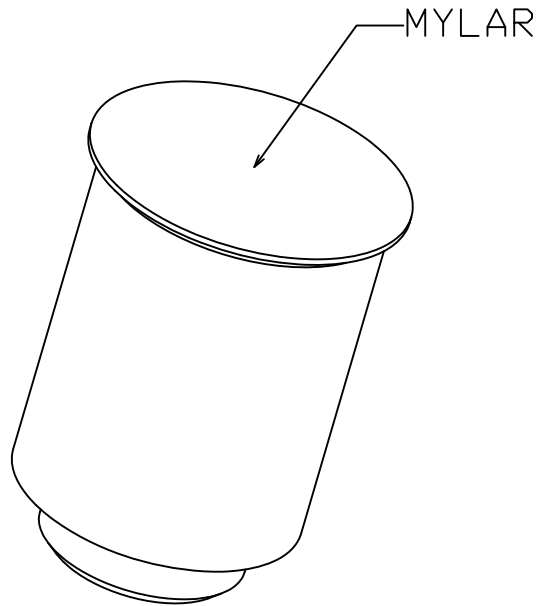
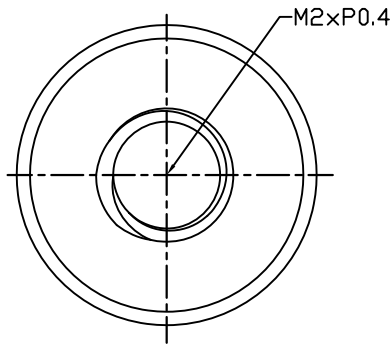
DIM.	119A-40A00-R02	119A-52A00-R02	119A-56A00-R02	119A-80A00-R02	119A-92A00-R02
A	4.30	5.50	5.90	8.30	9.50
B	16.00	16.00	16.00	16.00	20.00

UNLESS OTHERWISE SPECIFIED TOLERANCE		
ANGLES	ANG.	$\pm 5^\circ$
LINEAR	0.	$\pm 0.3$
	0.0	$\pm 0.25$
	0.00	$\pm 0.20$
SCALE	AS SHOWN	UNIT: mm
DRAWN	Willis	2012/08/03
CHECKED	Angel	2012/08/03
APPROVED	Ken	2012/08/03

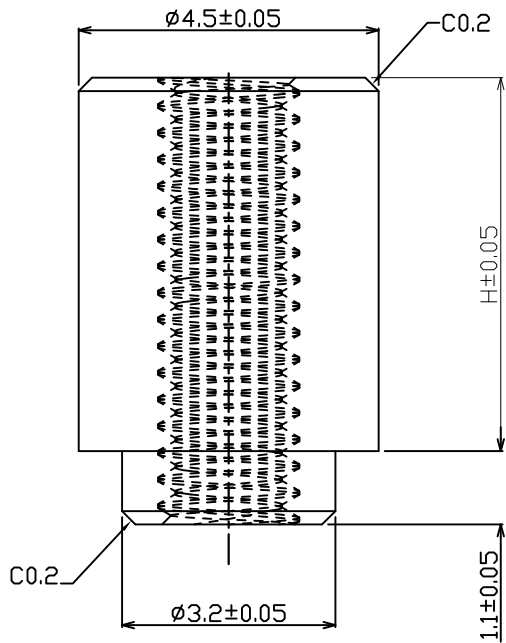


www.attend.com.tw  
 DRAWN NAME: Mini PCI Express Socket  
 PRODUCT NO. 119A-XXA00-R02

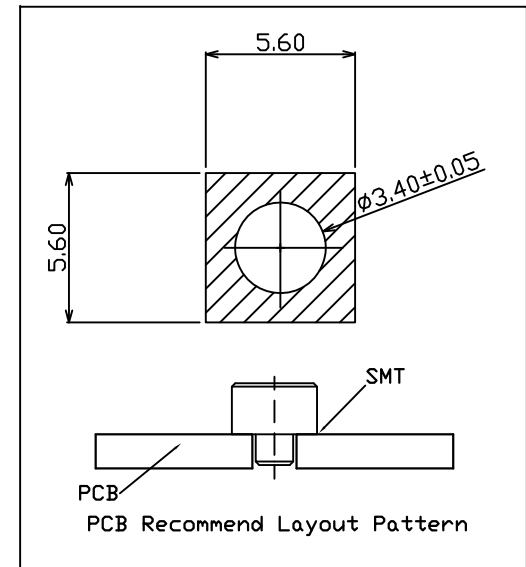
REV.	DESCRIPTION	DATE	REV.	DESCRIPTION	DATE	SIZE	REV.	FILE NAME
1			4			A4	1.0	119A-XXA00-R02_D_4



NOTE:  
 1.MATERIAL: Copper Alloy  
 2.Plating: Sn.



P/N	"H" $\pm 0.1$	Mini PCI E P/N
119A-NUT-40-R02	1.6	119A-40A00-R02
119A-NUT-52-R02	2.8	119A-52A00-R02
119A-NUT-56-R02	3.2	119A-56A00-R02
119A-NUT-80-R02	5.6	119A-80A00-R02
119A-NUT-92-R02	6.8	119A-92A00-R02



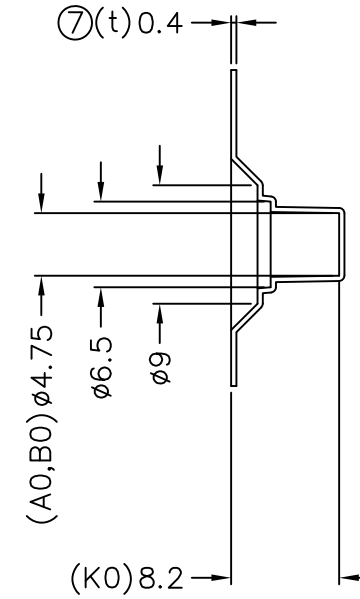
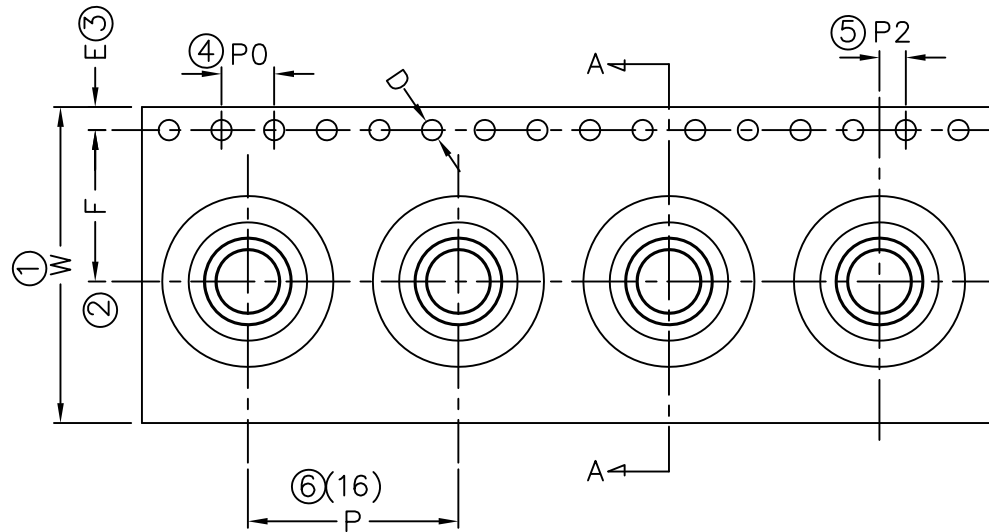
REV.	DESCRIPTION	DATE	REV.	DESCRIPTION	DATE	SIZE	REV.	FILE NAME
1			4			A4	1.0	119A-NUT-XX-R02_B_2

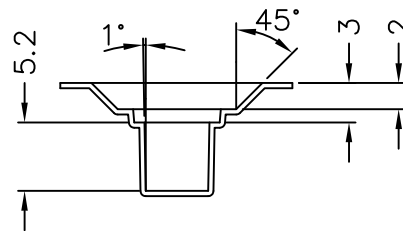
UNLESS OTHERWISE SPECIFIED TOLERANCE			DRAWN NAME: Mini PCI Express Stand Off	
ANGLES	ANG.	$\pm 5^\circ$	www.attend.com.tw	
LINEAR	0.	$\pm 0.3$	DRAWN	
	0.0	$\pm 0.25$	Willis	
	0.00	$\pm 0.20$	CHECKED	
			Angel	
SCALE	AS SHOWN	UNIT: mm	APPROVED	
			Ken	
			2013/01/25	
			PRODUCT NO.	
			119A-NUT-XX-R02	



www.attend.com.tw  
 DRAWN NAME: Mini PCI Express Stand Off  
 PRODUCT NO. 119A-NUT-XX-R02  
 FILE NAME 119A-NUT-XX-R02\_B\_2



SECTION A-A



- 1. Material: Black Anti-static Polystyrene ,T=0.4mm
- 2. Component loaded per 13" reel : 400 pcs. (Core 4")

ITEM	W	A <sub>0</sub>	B <sub>0</sub>	K <sub>0</sub>	K <sub>1</sub>	P	F	E	D	D <sub>1</sub>	P <sub>0</sub>	P <sub>2</sub>
DIM	24.0 <sup>+0.30</sup> <sub>-0.30</sub>	4.75 <sup>+0.20</sup> <sub>-0.10</sub>	4.75 <sup>+0.20</sup> <sub>-0.10</sub>	8.20 <sup>+0.20</sup> <sub>-0.10</sub>	0.00 <sup>+0.20</sup> <sub>-0.10</sub>	16.0 <sup>+0.10</sup> <sub>-0.10</sub>	11.50 <sup>+0.10</sup> <sub>-0.10</sub>	1.75 <sup>+0.10</sup> <sub>-0.10</sub>	1.50 <sup>+0.10</sup> <sub>-0.00</sub>	0.00 <sup>+0.25</sup> <sub>-0.00</sub>	4.00 <sup>+0.10</sup> <sub>-0.10</sub>	2.00 <sup>+0.10</sup> <sub>-0.10</sub>

UNLESS OTHERWISE SPECIFIED TOLERANCE		
ANGLES	ANG.	±5°
LINEAR	0.	±0.3
	0.0	±0.25
	0.00	±0.20
SCALE	AS SHOWN	UNIT: mm
DRAWN	Willis	2012/12/10
CHECKED	Angel	2012/12/10
APPROVED	Ken	2012/12/10

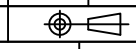


www.attend.com.tw

DRAWN NAME: Mini PCI Express Stand Off

PRODUCT NO. 119A-NUT-92-R02

REV.	DESCRIPTION	DATE	REV.	DESCRIPTION	DATE



SIZE A4 REV. 1.0

FILE NAME 119A-NUT-92-R02\_D\_2