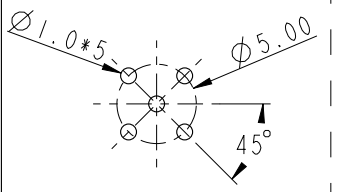
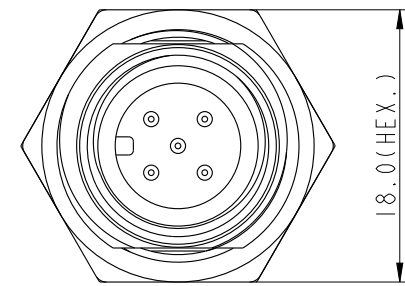
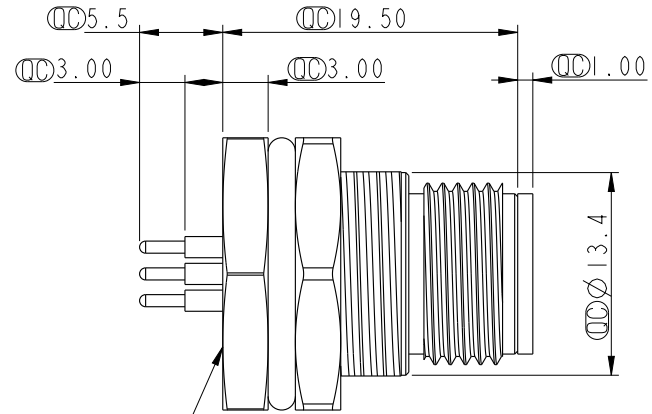
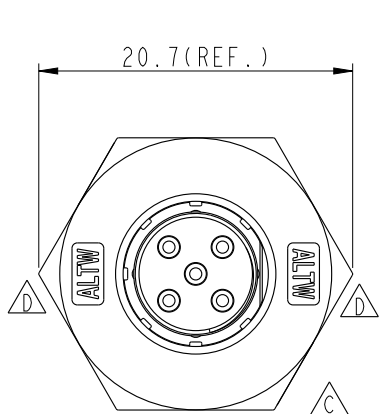
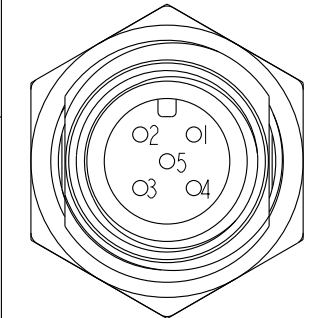


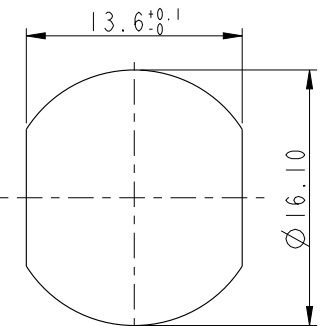
REV.	ECN NO.	DATE	SIGN	DESCRIPTION
B	LEN-7A0080	2007/10/01	Rommel A. Vergara	Added Note.
C	LEN-990018	2009/08/21	Li Xiu Zhi	Change LTW Mark View.
D	CI90182	2019/02/16	JC Chen	Updated The Logo



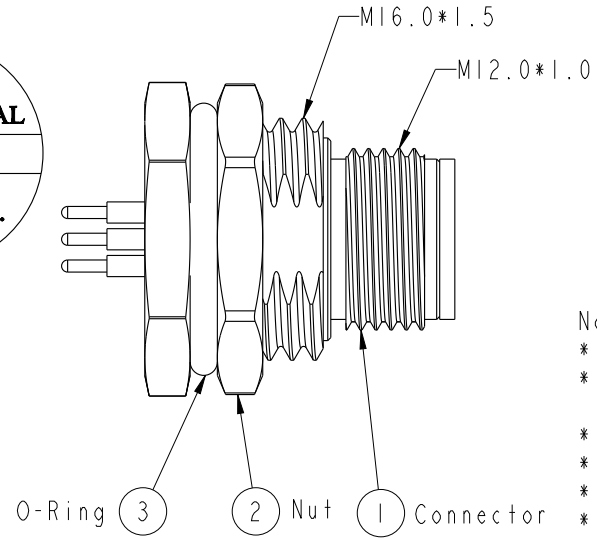
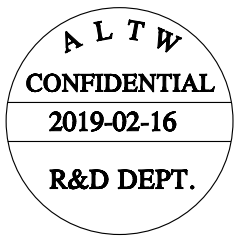
5Pin Male Connector
Male Pin PCB Layout



Pin Assignments
Front View



Recommended
Panel Cut-Out



- Note:
- * \varnothing Important Dimension.
 - * Waterproof Rate: IP68.
In 1 meter water within 24 hours.
 - * Housing: Nylon+GF, Black.
 - * Male Pin: Copper Alloy, Gold Plated.
 - * Shield: Zinc Alloy, Nickel Plated.
 - * Screw Nut: Zinc Alloy, Nickel Plated.
 - * O-Ring: EPDM, Black.
 - * For Panel Thickness Max 4.5mm.
 - * Nut Torque: 4-6 kgf.cm.

UNIT: mm	
TOLERANCE	
.X	±0.25
.XX	±0.1
.XXX	±0.05
ANGLES	±1°

TITLE M12 Conn Panel Screw 5Pin M Conn M Pin			
SCALE 2:1	SIZE A4	SHEET 1 OF 1	
REV. D	WC-REV. A.3	\varnothing : Inspection item	

Amphenol LTW
安費諾亮泰企業股份有限公司

ITEM NO. 12-05PMMP-SF8003	DRAWN BY JC Chen	DATE 2019-02-16
DWG NO. 12-05PMMP-SF8003	CHECKED BY Li Feng	DATE 2019-02-16
CUSTOMER ALTW	APPROVED BY Jerry	DATE 2019-02-16

THIS DOCUMENT IS SUBJECT TO CHANGE WITHOUT NOTICE. IT IS CONFIDENTIAL AND A PROPERTY OF Amphenol LTW. DISCLOSURE TO THIRD PARTY HAS TO BE AUTHORIZED BY Amphenol LTW.