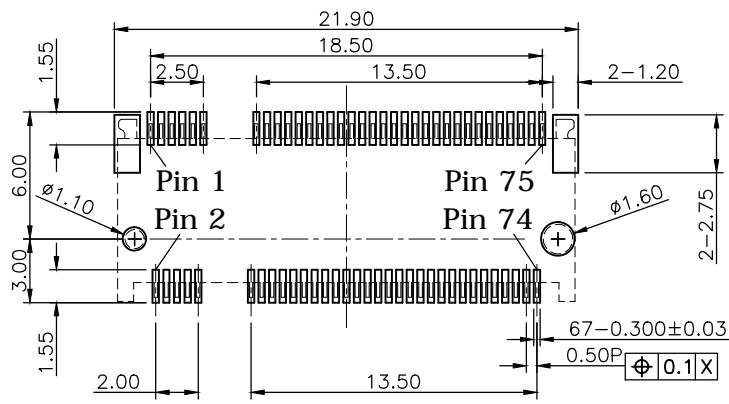
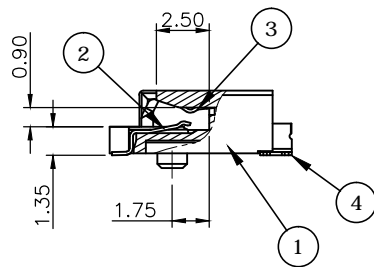
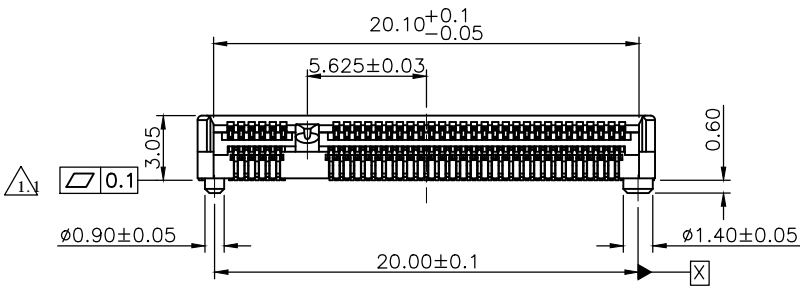
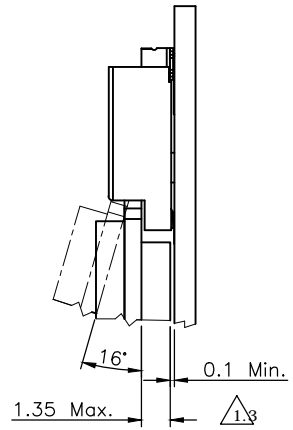


Date code: YWWD
 Y=Year, 0~9
 WW=Week, 1~52
 D=Day, 1~7



Recommended Layout (Top View)
 General Tolerance: ±0.05mm



REV.	DESCRIPTION	DRAWN	DATE
1.1	Add flatness tolerance	FROS	2019/08/07
1.2	Corrected temperature to 85°C	FROS	2019/08/15
1.3	Added M.2 module thickness & related space height	FROS	2019/08/29

SPECIFICATION:

1. ELECTRICAL

- 1.1 Current Rating: 0.5A per pin
- 1.2 Voltage Rating: 50VAC
- 1.3 Contact Resistance: 50mΩ
- 1.4 Insulation Resistance: 500MΩ
- 1.5 Dielectric Withstanding Voltage: 300VAC

2. MECHANICAL

- 2.1 Durability: 60 Cycle
- 2.2 Mating Force: 20N max.
- 2.3 Un-mating Force: 25N max.

3. ENVIRONMENTAL

- 3.1 Operating temperature range: -40°C~+85°C
- 3.2 Storage temperature range: -40°C~+85°C

4. SOLDER ABILITY

- 4.1 Recommended IR Reflow (Wave Soldering) Temperature: 260°C

4	HOLD DOWN	BRASS, C2680R-H, 100u" Matte Tin plated, under-plated Nickel 50u"
3	LOWER CONTACT	PHOSPHOR BRONZE, C5210R-EH
2	UPPER CONTACT	Contact area: Gold flash, Solder area: Gold flash, all under-plated Nickel 50u"
1	INSULATOR	LCP, UL94V-0, BLACK
NO.	PART NAME	DESCRIPTION

UNLESS OTHERWISE SPECIFIED TOLERANCE

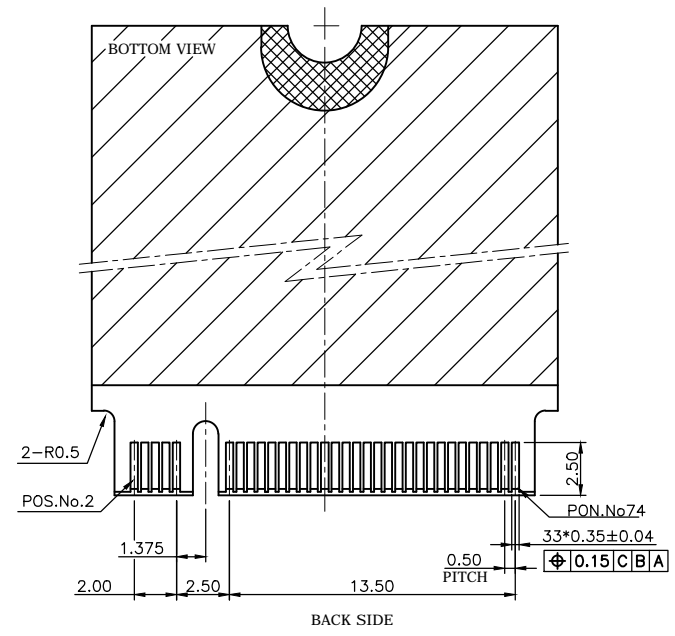
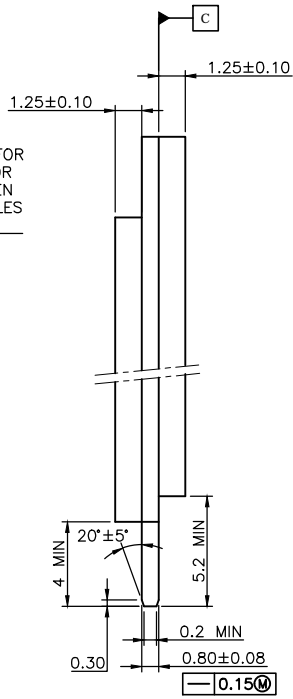
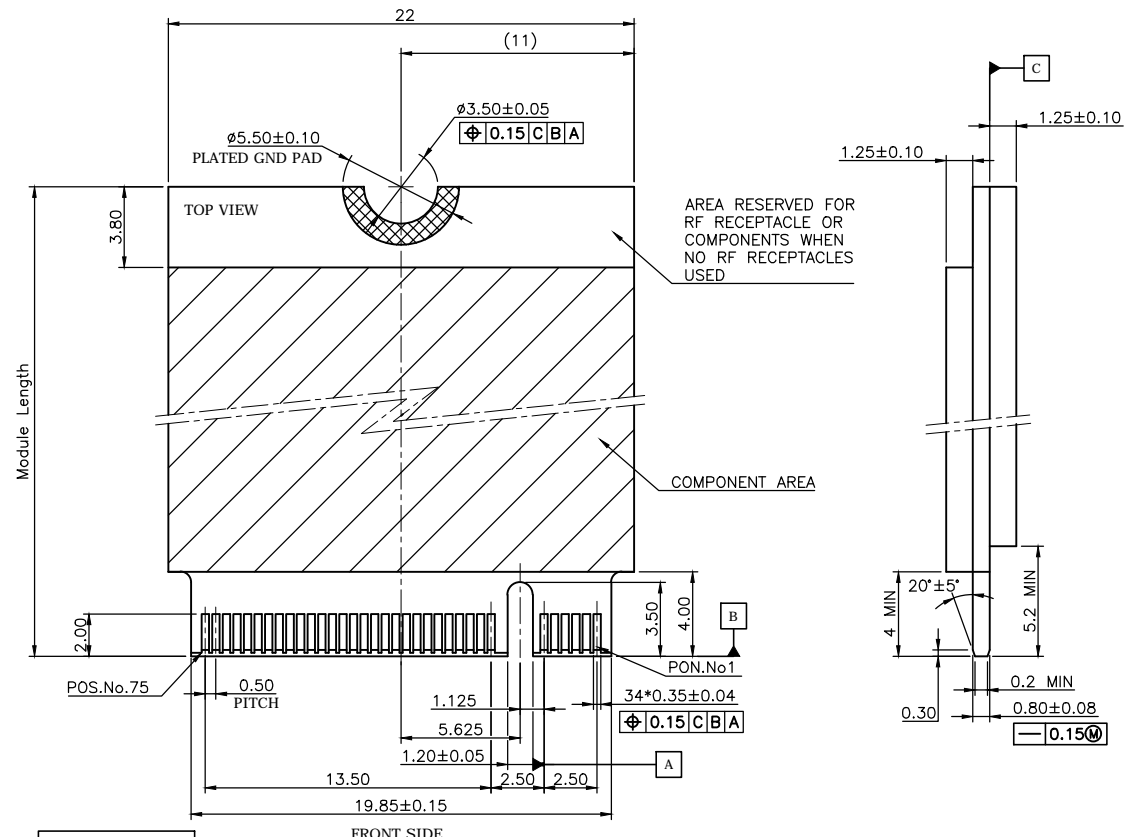
UNIT:	DECIMAL	LINEAR	ANGLES
mm	X.	±0.50	±5°
	X.X	±0.25	±3°
	X.XX	±0.12	±1°



WWW.ATTEND.COM.TW


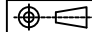
DRAWN	Fros	2018/12/06	DRAWN NAME:	M.2 Socket, H3.0 B Key			
CHECKED	Tim	2018/12/06		0.5 Pitch G/F, Black, Reel			
APPROVED	Ken	2018/12/06	PRODUCT NO.	123A-30B00			
SCALE	2.8	SHEET	1/1	SIZE	A4	FILE NAME	123A-30B00_B_1.3

REV.	DESCRIPTION	DRAWN	DATE
1	INITIAL RELEASE	FROS	2019/01/09
1.1	Corrected	FROS	2019/09/11



Module Length (mm)
42
60
80
110

KEY ID "B"
RECOMMENDED MODULE LAYOUT

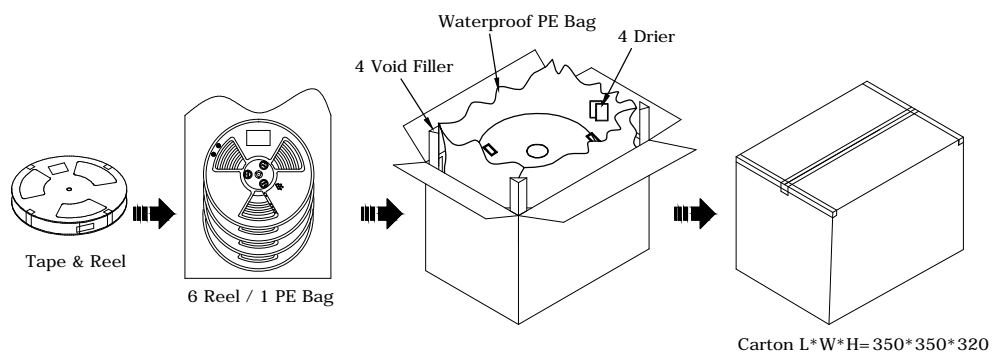
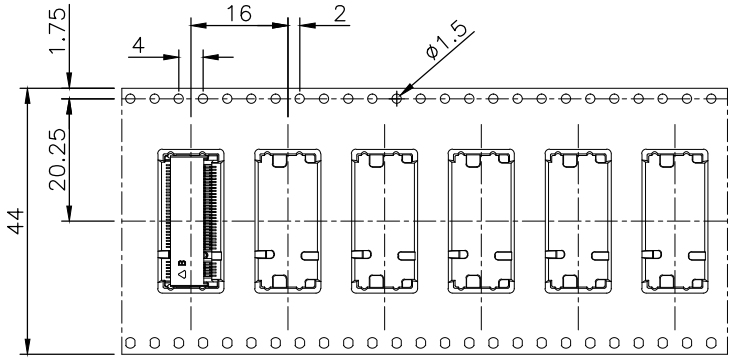
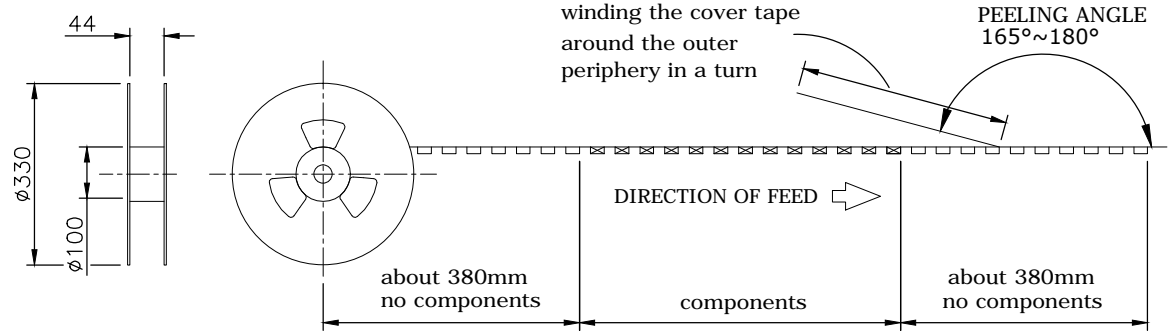
UNLESS OTHERWISE SPECIFIED TOLERANCE					
UNIT:	DECIMAL	LINEAR	ANGLES		
mm	X.	±0.50	±5°	www.attend.com.tw	
	X.X	±0.25	±3°		
	X.XX	±0.12	±1°		
DRAWN	Fros	2019/01/09	DRAWN NAME:		
CHECKED	Tim	2019/01/09	PCI Express M.2 Specification Module Dimensions		
APPROVED	Ken	2019/01/09	PRODUCT NO.	N/A	
	SCALE 2.8	SHEET 2/4	SIZE A4	FILE NAME	123A-CARD_B_1.1


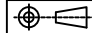
REV.	DESCRIPTION	DRAWN	DATE
1	INITIAL RELEASE	TIM	2018/01/19

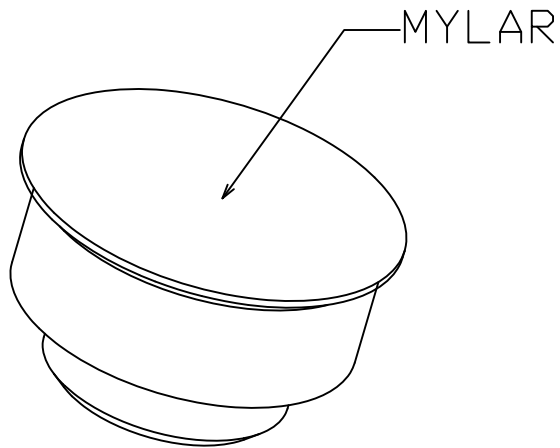
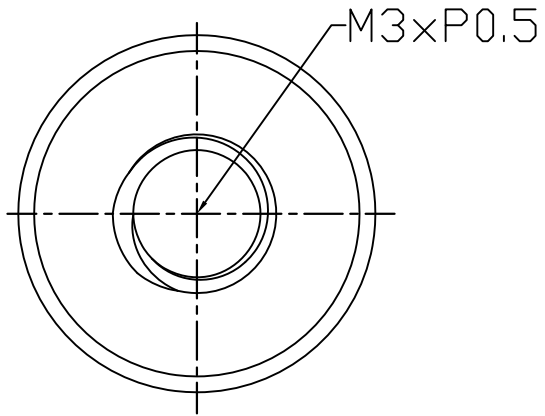
PACKAGING SPECIFICATION:

- 1. MATERIAL
 - 1.1 Embossed Carrier Tape: PS Black
 - 1.2 Top Cover Tape: PET 20-80g(Peel Speed 300mm/Minute)
 - 1.3 Taping Reel: Plastic
- 2. Packaging:

P/N	Height	Reel	Carton
123A-21X00	2.15	1200	7200
123A-30X00	3.05	900	5400
123A-40X00	4.05	700	4200
123A-58X00	5.80	600	3600

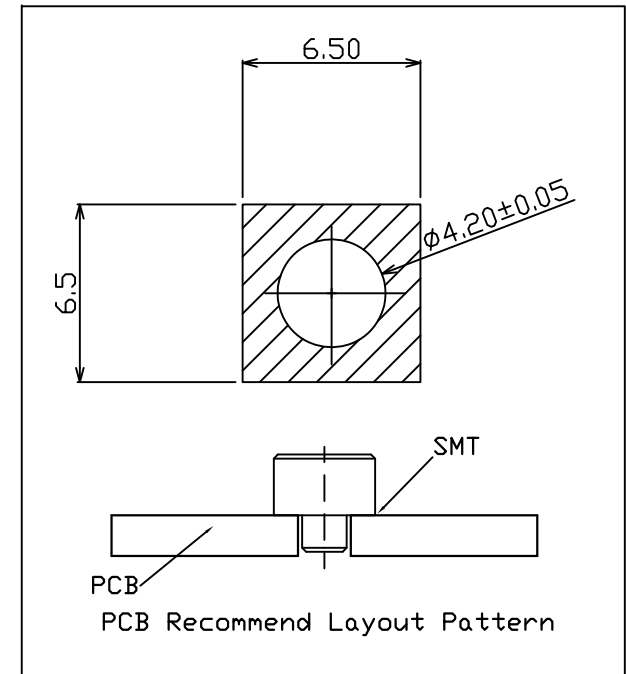
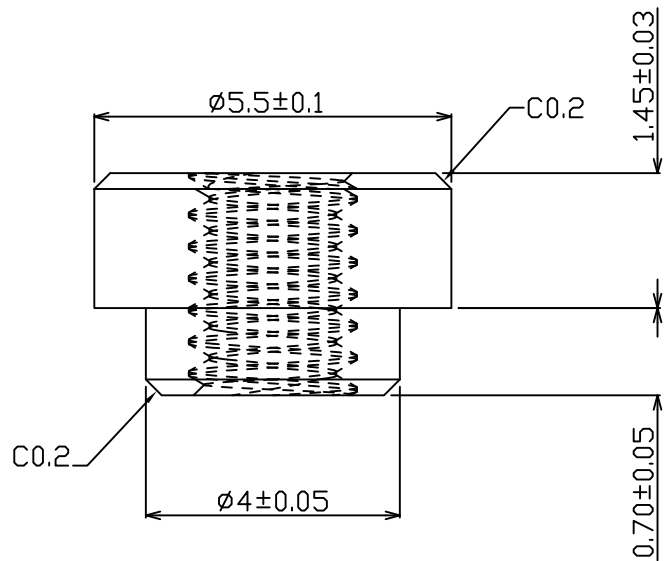


UNLESS OTHERWISE SPECIFIED TOLERANCE				 WWW.ATTEND.COM.TW
UNIT:	DECIMAL	LINEAR	ANGLES	
mm	X.	±0.50	±5°	
	X.X	±0.25	±3°	
	X.XX	±0.12	±1°	
DRAWN	Tim	2018/01/19	DRAWN NAME:	
CHECKED	Fros	2018/01/19	M.2 CONNECTOR PACKAGING	
APPROVED	Ken	2018/01/19	PRODUCT NO.	
	SCALE	SHEET	SIZE	FILE NAME
	0.8	1/1	A4	123A-XXX00_D_1



NOTE:

- 1.MATERIAL: Copper Alloy
- 2.Plating: Sn.

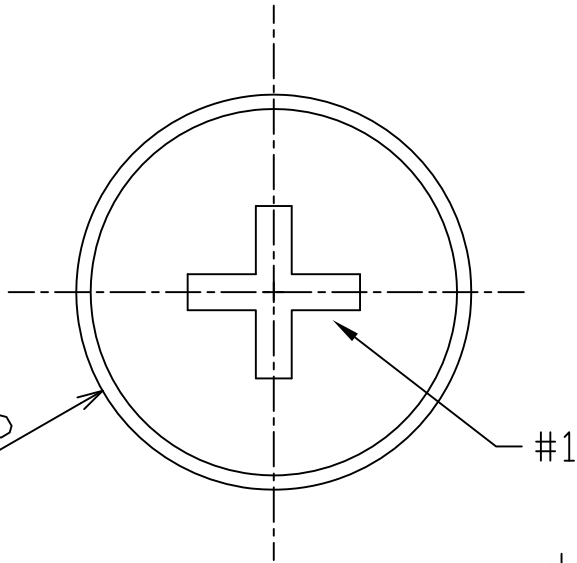


REV.	DESCRIPTION	DATE	REV.	DESCRIPTION	DATE	UNLESS OTHERWISE SPECIFIED TOLERANCE	www.attend.com.tw	
						ANGLES	ANG.	$\pm 5^\circ$
							0.	± 0.3
						LINEAR	0.0	± 0.25
							0.00	± 0.20
						SCALE	AS SHOWN	UNIT: mm
A	Revise:					DRAWN	Willis	2013/08/06
	Revise:					CHECKED	Angel	2013/08/06
	Revise:					APPROVED	Ken	2013/08/06
						SIZE	A4	REV. 1.0
						FILE NAME	123A-NUT-32_B_1	



www.attend.com.tw
 DRAWN NAME: M.2 Connector Stand Off
 PRODUCT NO. 123A-NUT-32
 FILE NAME 123A-NUT-32_B_1

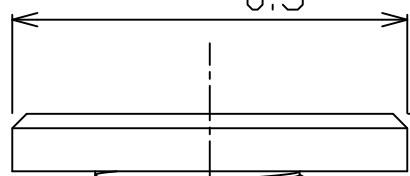
$\phi 5.5^{+0}_{-0.5}$



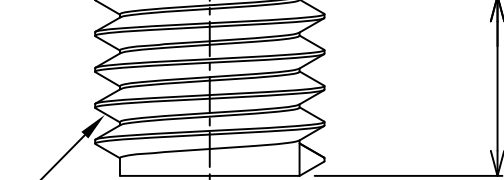
#1

$\phi 5.5^{+0}_{-0.5}$

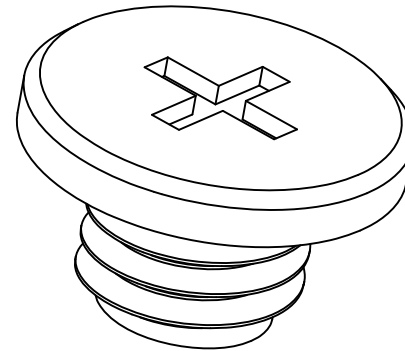
0.8 ± 0.1



$2.5^{+0}_{-0.3}$



M3.0*P0.50



Note:
 1. Material: Low-carbon steel
 2. Plating: Nickel

UNLESS OTHERWISE SPECIFIED TOLERANCE		
ANGLES	ANG.	±5°
LINEAR	0.	±0.3
	0.0	±0.25
	0.00	±0.20
SCALE	AS SHOWN	UNIT: mm
DRAWN	Willis	2013/08/06
CHECKED	Angel	2013/08/06
APPROVED	Ken	2013/08/06



www.attend.com.tw

REV.	DESCRIPTION	DATE	REV.	DESCRIPTION	DATE
1					
2					
3					
4					
5					
6					
7					

DRAWN NAME:		M.2 Series Screw	
PRODUCT NO.	123A-SCREW	FILE NAME	123A-SCREW_B_1

A ⚠ Revise: ⚠ Revise: ⚠ Revise:	UNLESS OTHERWISE SPECIFIED TOLERANCE ANGLES ANG. ±5° LINEAR 0. ±0.3 0.0 ±0.25 0.00 ±0.20 SCALE AS SHOWN UNIT: mm DRAWN Willis 2013/08/06 CHECKED Angel 2013/08/06 APPROVED Ken 2013/08/06
REV. DESCRIPTION DATE REV. DESCRIPTION DATE	SIZE A4 REV. 1.0