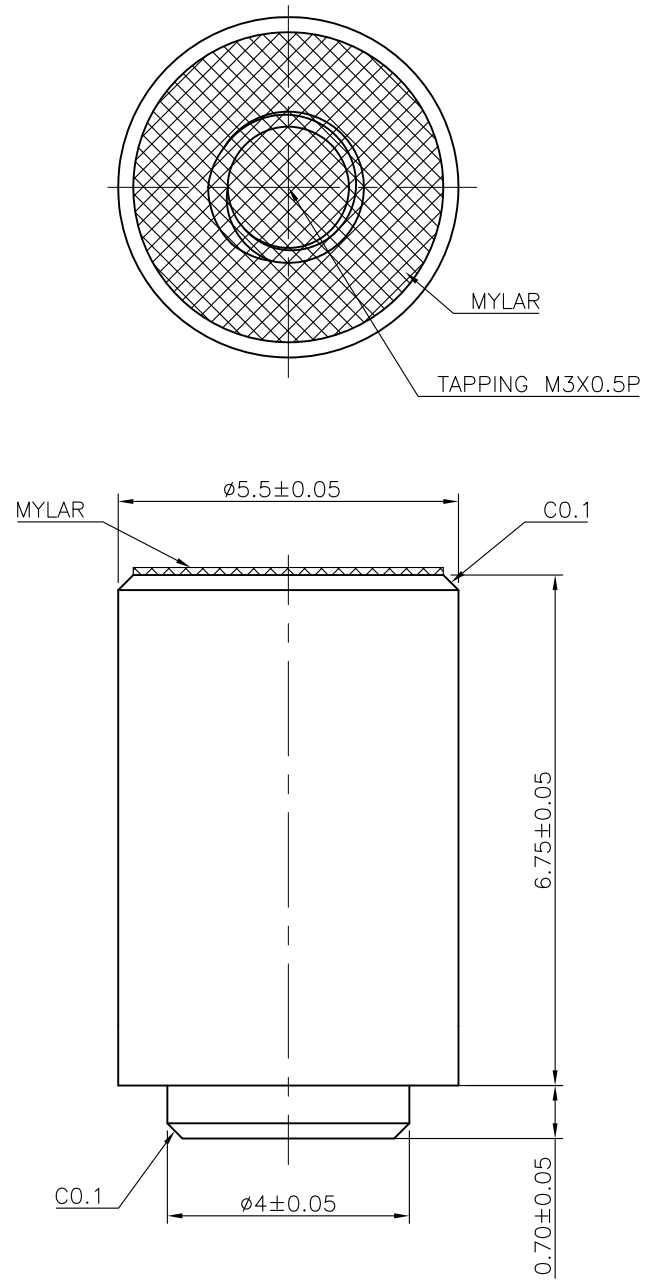
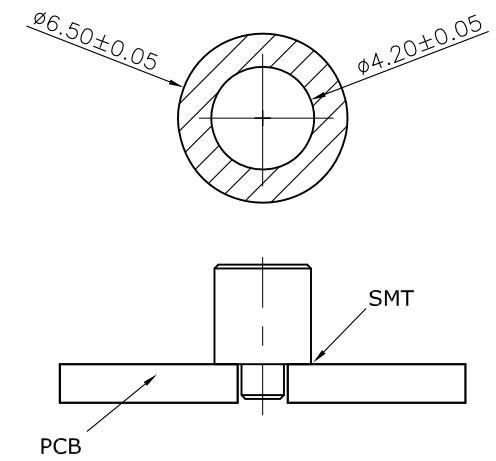



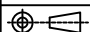
REV.	DESCRIPTION	DRAWN	DATE
1	INITIAL RELEASE	FROS	2016/12/28



NOTE:
 1.MATERIAL: Copper Alloy
 2.Plating: Sn.
 3.Tape & Reel Packing, 500pcs/ reel



PCB Recommend Layout Pattern

UNLESS OTHERWISE SPECIFIED TOLERANCE					
UNIT:	DECIMAL	LINEAR	ANGLES		
mm	X.	±0.50	±5°	WWW.ATTEND.COM.TW	
	X.X	±0.25	±3°		
	X.XX	±0.12	±1°		
DRAWN	Fros	2016/12/28	DRAWN NAME:		
CHECKED	Tim	2016/12/28	M.2 Connector Stand Off for 8.5H		
APPROVED	Ken	2016/12/28	PRODUCT NO.	123A-NUT-85	
	SCALE 10/1	SHEET 1/1	SIZE A4	FILE NAME	123A-NUT-85_B_1