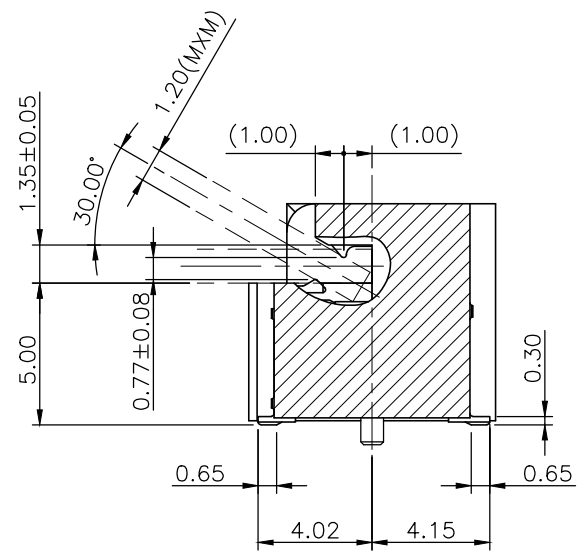
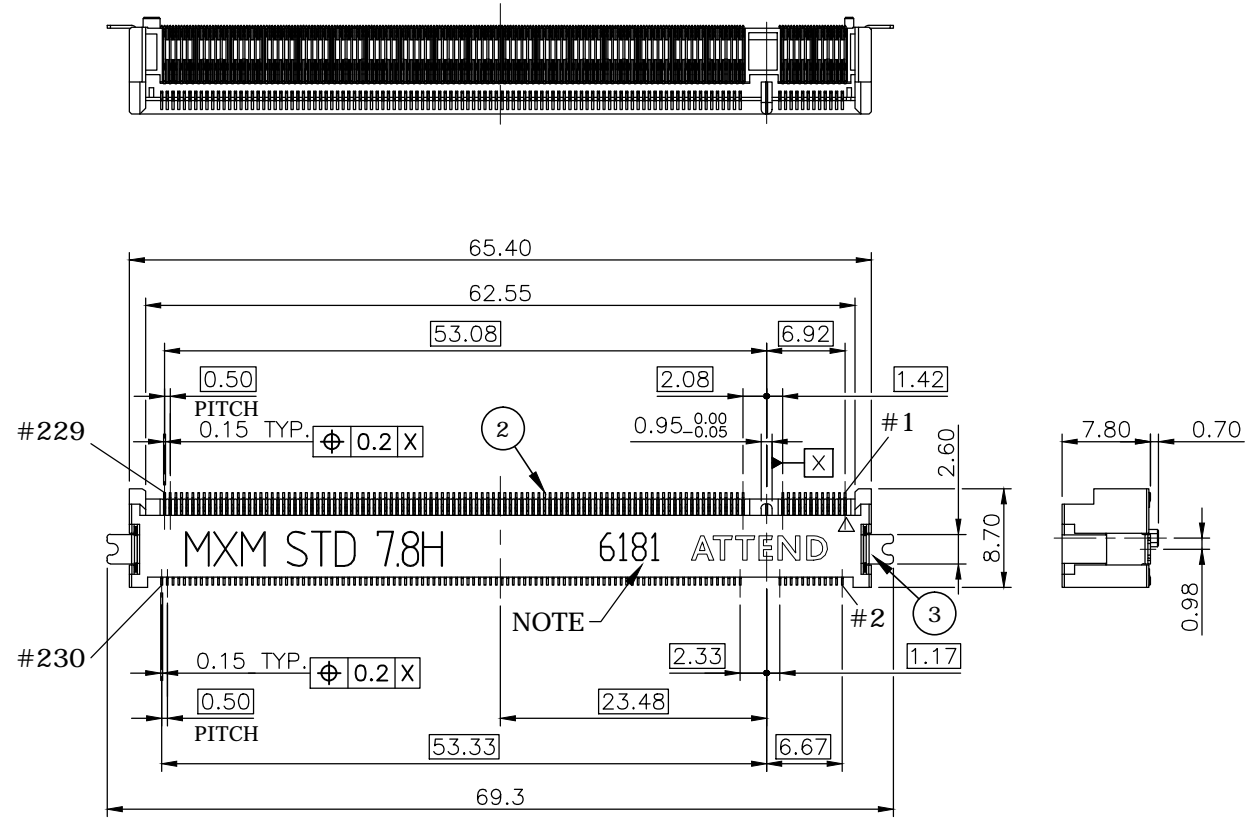
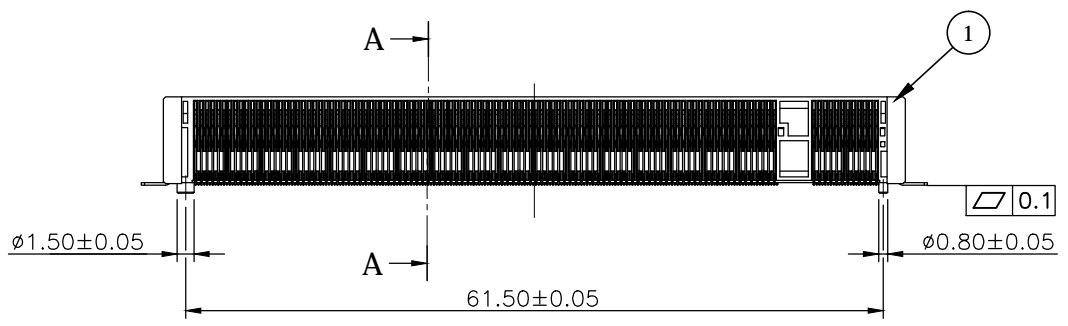


REV.	DESCRIPTION	DRAWN	DATE
0	PRELIMINARY	Tim	2016/07/14
1	INITIAL RELEASE	Tim	2016/09/23
2	CORRECTED	Tim	2016/11/04

NOTE:
DATE CODE: 6181 (YWWD)
Y : YEAR(2016)
WW: WEEK (01 ~ 52)
D : DAY (1 ~ 7)



SECTION A-A
SCALE 2.5 : 1



3	SOLDERPEG	Copper Alloy,Matte TIN 80μ"MIN. Ni Under Plated 60μ"MIN.
2	CONTACT	Copper Alloy,Contact: Au Plated 5μ"MIN. Ni Under Plated 60μ"MIN.
1	HOUSING	LCP, UL94V-0, Black
NO.	PART NAME	DESCRIPTION

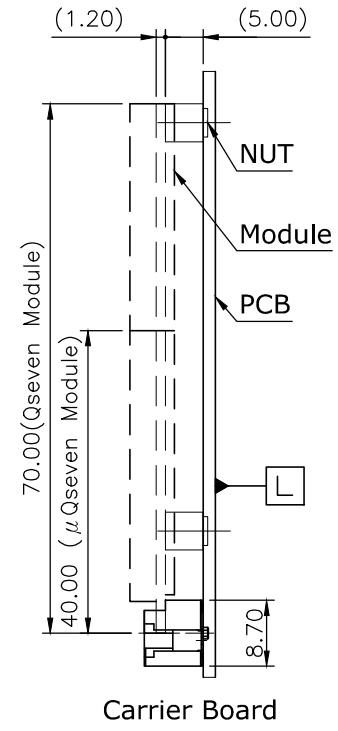
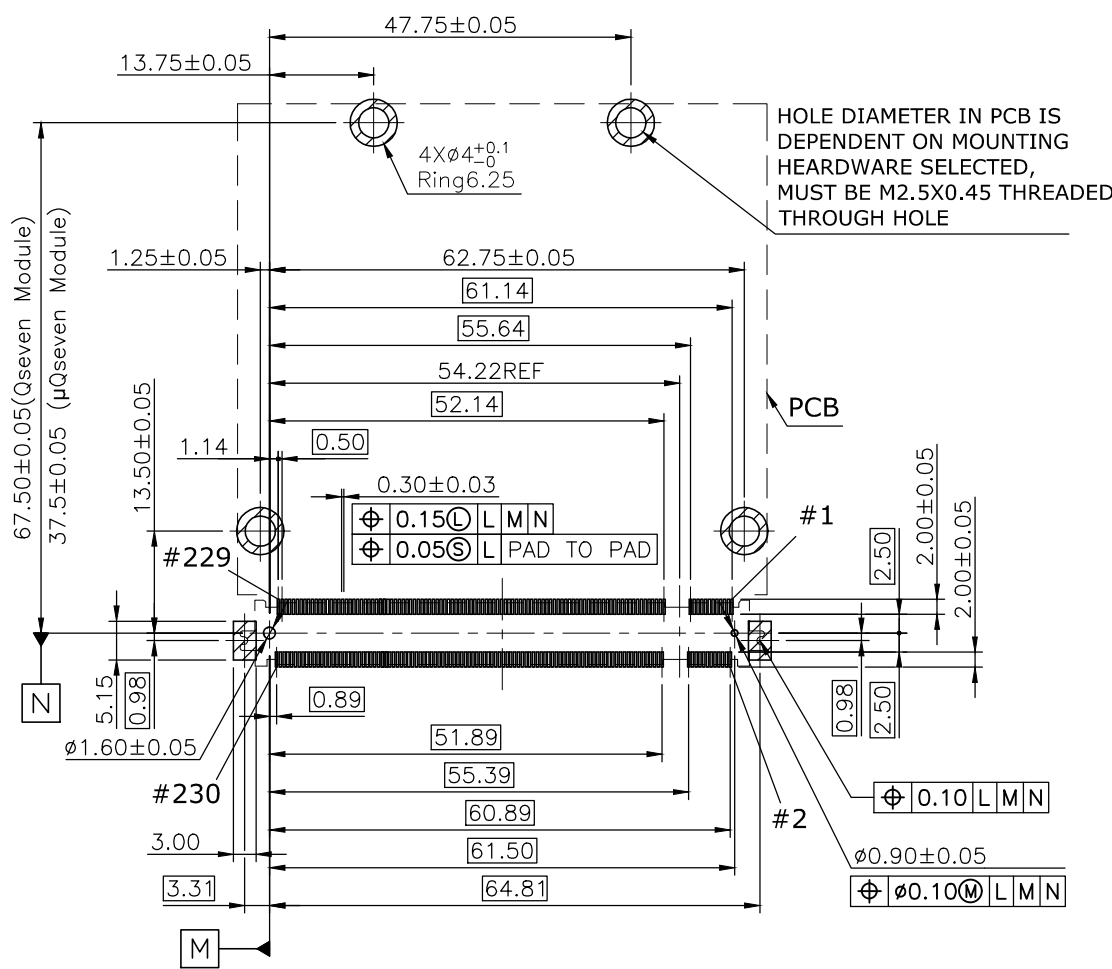
UNLESS OTHERWISE SPECIFIED TOLERANCE			
UNIT:	DECIMAL	LINEAR	ANGLES
mm	X.	±0.50	±5°
	X.X	±0.25	±3°
	X.XX	±0.12	±1°




DRAWN	Tim	2016/07/14	DRAWN NAME:	MXM 230 pin for QSeven			
CHECKED	Fros	2016/07/14		0.5 Pitch, 7.8H, Standard Type, Reel			
APPROVED	Ken	2016/07/14	PRODUCT NO.	125A-78C00			
SCALE	1.5/1	SHEET	1/4	SIZE	A4	FILE NAME	125A-78C00_B_2

WWW.ATTEND.COM.TW

REV.	DESCRIPTION	DRAWN	DATE
	SEE SHEET ONE		

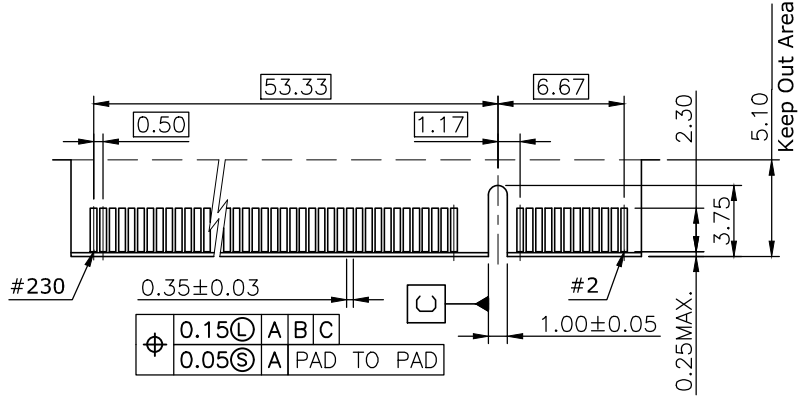
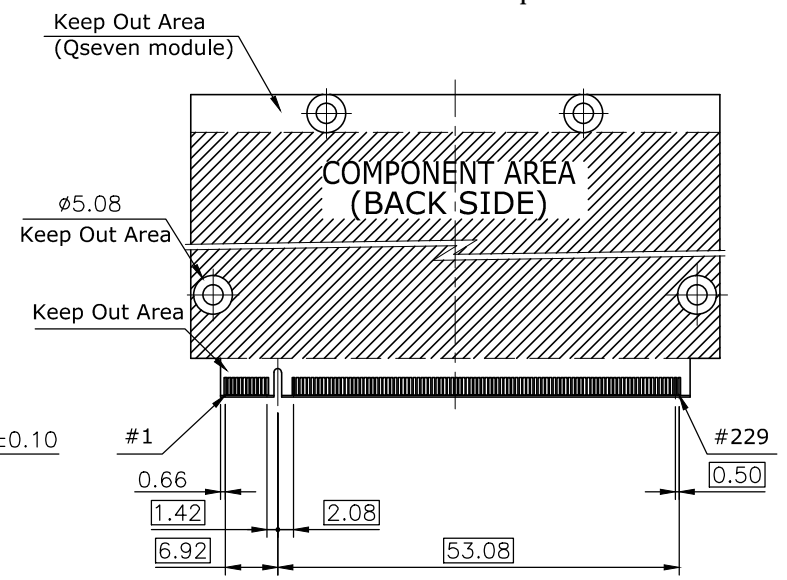
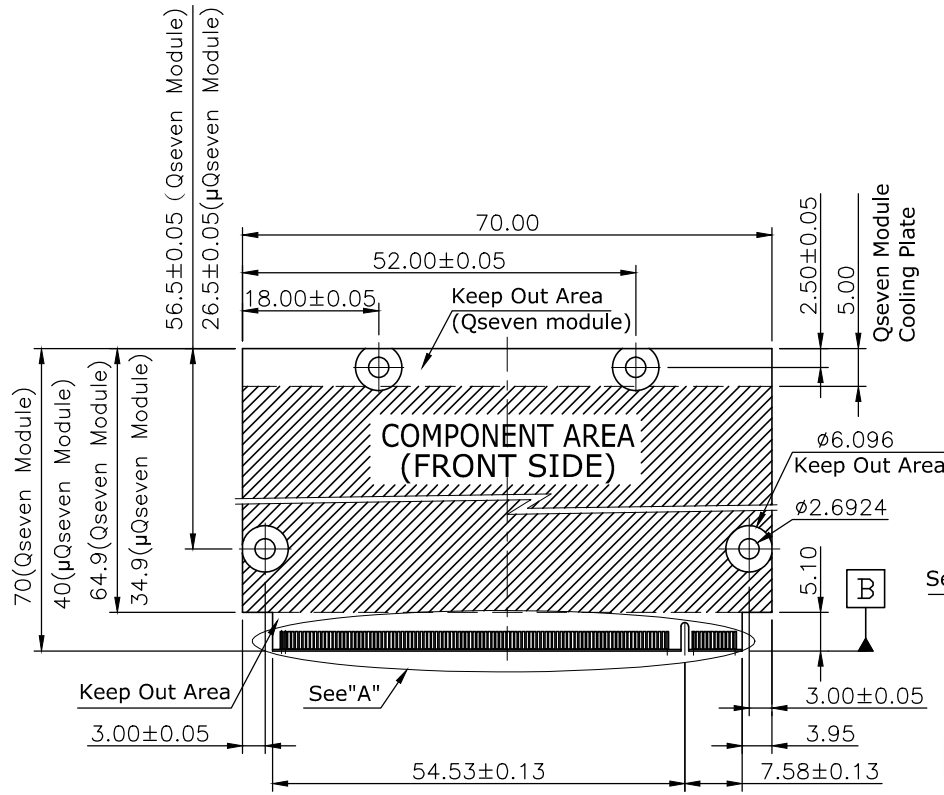


RECOMMENDED LAYOUT
GENERAL TOLERANCE: ±0.05

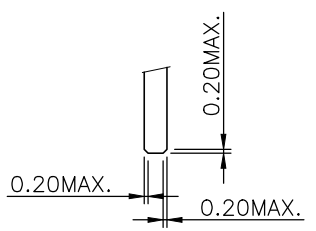
UNLESS OTHERWISE SPECIFIED TOLERANCE				 WWW.ATTEND.COM.TW	
UNIT:	DECIMAL	LINEAR	ANGLES		
mm	X.	±0.50	±5°		
	X.X	±0.25	±3°		
	X.XX	±0.12	±1°		
DRAWN	Tim	2016/07/14	DRAWN NAME:		
CHECKED	Fros	2016/07/14	MXM 230 pin for QSeven		
APPROVED	Ken	2016/07/14	0.5 Pitch, 7.8H, Standard Type, Reel		
SCALE	1/1	SHEET	2/4	SIZE	PRODUCT NO. 125A-78C00
				A4	FILE NAME 125A-78C00_B_2

REV.	DESCRIPTION	DRAWN	DATE
	SEE SHEET ONE		

- NOTES; (APPLIED TO SHEET 3)
- 1.TOLERANCES ON ALL DIMENSION ± 0.1 UNLESS OTHERWISE SPECIFIED.
 - 2.P.C.BOARD THICKNESS APPLIES ACROSS TABS AND INCLUDES PLATING AND/OR METALIZATION.
 - 3.FINISH OF PAD : GOLD PLATING 30μ "MIN. OVER Ni PLATING 80μ "MIN.
 - 4.The common dimension for MXM-TYPE I,II,III when there is no special mention.



DETAIL A
SCALE 2.5:1

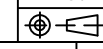


DETAIL C
SCALE 2.5:1

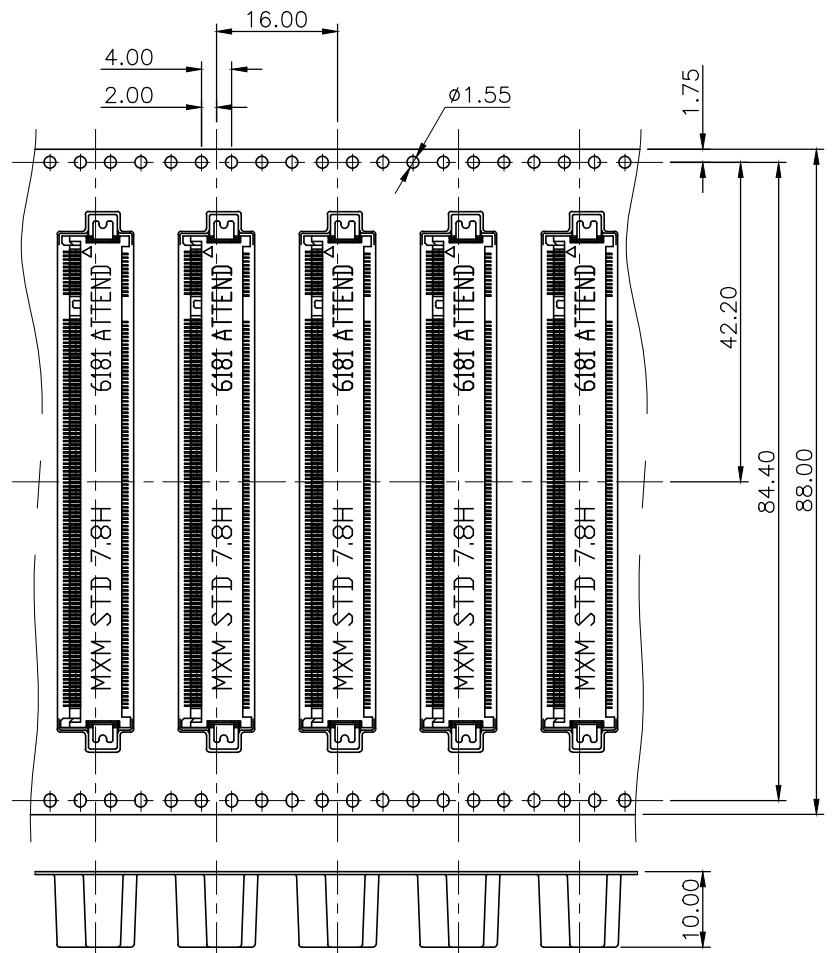
UNLESS OTHERWISE SPECIFIED TOLERANCE			
UNIT:	DECIMAL	LINEAR	ANGLES
mm	X.	± 0.50	$\pm 5^\circ$
	X.X	± 0.25	$\pm 3^\circ$
	X.XX	± 0.12	$\pm 1^\circ$
DRAWN	Tim	2016/07/14	DRAWN NAME:
CHECKED	Fros	2016/07/14	MXM 230 pin for Qseven
APPROVED	Ken	2016/07/14	0.5 Pitch, 7.8H, Standard Type, Reel
SCALE	1/1	SHEET	3/4
SIZE	A4	PRODUCT NO.	125A-78C00
FILE NAME		125A-78C00_B_2	



WWW.ATTEND.COM.TW

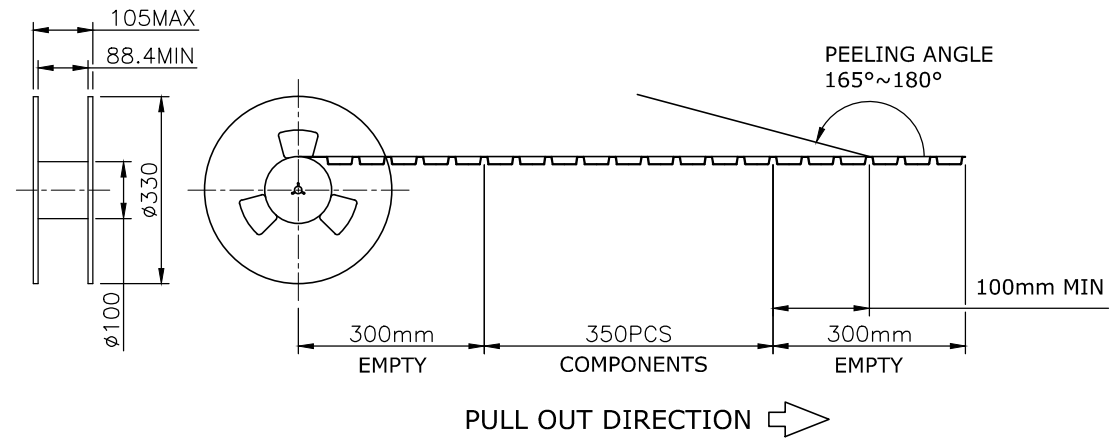


REV.	DESCRIPTION	DRAWN	DATE
	SEE SHEET ONE		

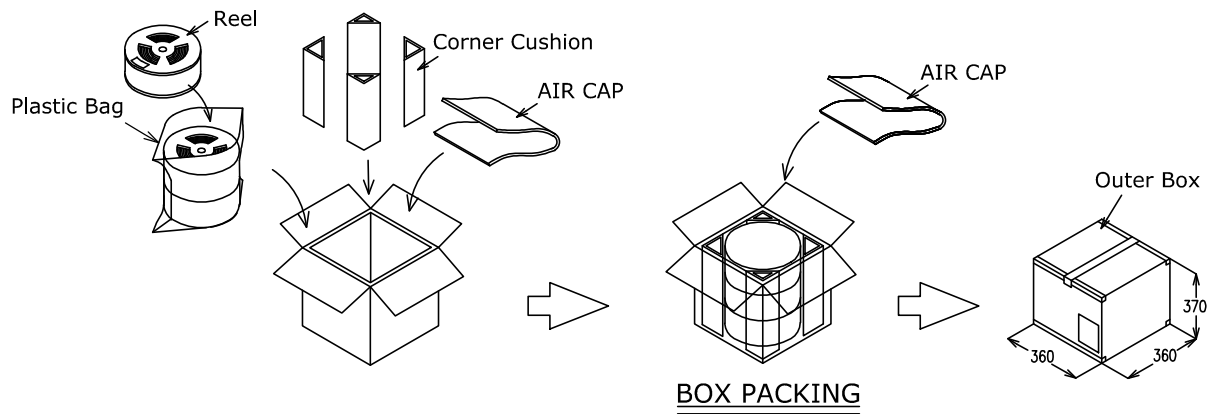


PACKAGING SPECIFICATION:

- 1. PACKING
- 1.1 Quantity:
 - 350 Piece/ Reel
 - 1050 Piece/ Carton



PULL OUT DIRECTION →



UNLESS OTHERWISE SPECIFIED TOLERANCE

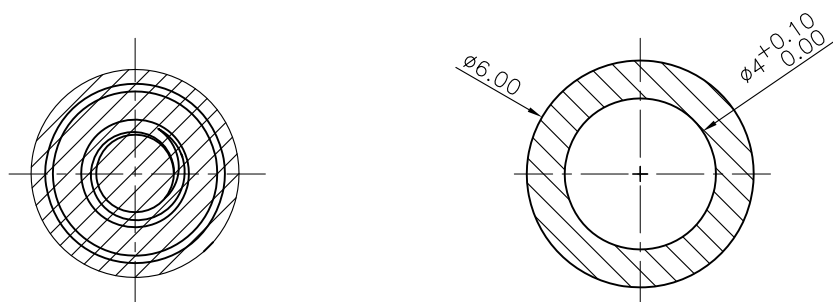
UNIT:	DECIMAL	LINEAR	ANGLES
mm	X.	±0.50	±5°
	X.X	±0.25	±3°
	X.XX	±0.12	±1°



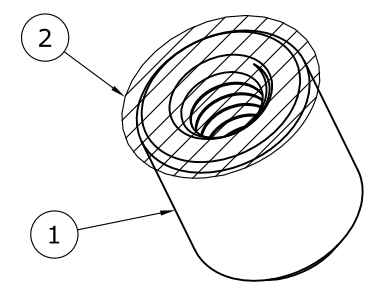
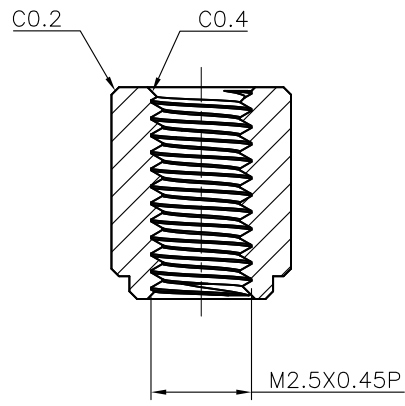
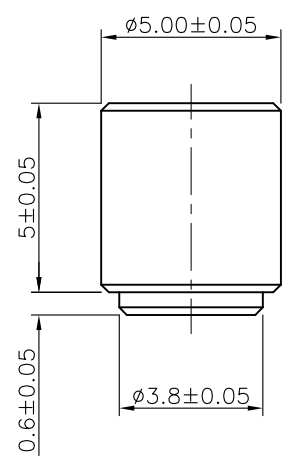
WWW.ATTEND.COM.TW



DRAWN	Tim	2016/07/14	DRAWN NAME:	MXM 230 pin for QSeven			
CHECKED	Fros	2016/07/14		0.5 Pitch, 7.8H, Standard Type, Reel			
APPROVED	Ken	2016/07/14	PRODUCT NO.	125A-78C00			
SCALE	N/A	SHEET	4/4	SIZE	A4	FILE NAME	125A-78C00_B_2

REV.	DESCRIPTION	DRAWN	DATE
1	INITIAL RELEASE	FROS	2016/07/25

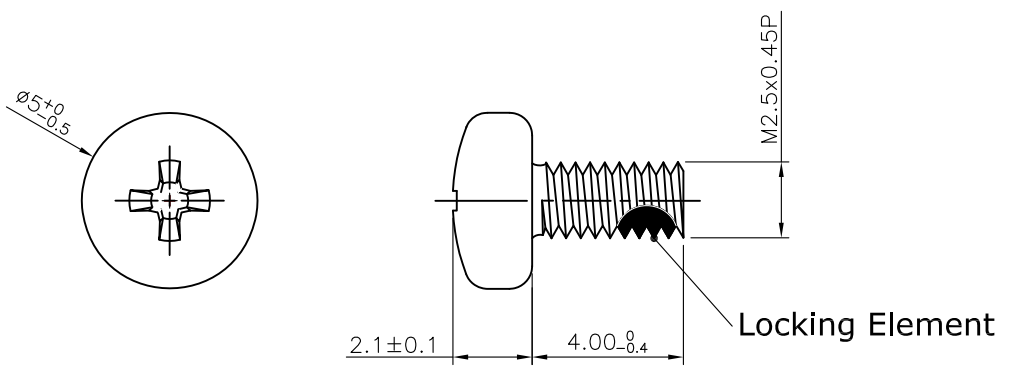


Recommended Layout (top view)
General Tolerance: $\pm 0.05\text{mm}$


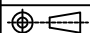


2	MYLAR	0.1t		
1	NUT	Low Lead Brass, Tin Plating		
NO. PART NAME		DESCRIPTION		
UNLESS OTHERWISE SPECIFIED TOLERANCE				
UNIT:	DECIMAL	LINEAR	ANGLES	
	X.	± 0.50	$\pm 5^\circ$	
	X.X	± 0.25	$\pm 3^\circ$	
mm	X.XX	± 0.12	$\pm 1^\circ$	
				
			WWW.ATTEND.COM.TW	
DRAWN	Fros	2016/07/25	DRAWN NAME:	
CHECKED	Tim	2016/07/25	Nut, M2.5x0.45P, 5H, Reel	
APPROVED	Ken	2016/07/25	PRODUCT NO.	125-NUT-78
	SCALE	SHEET	SIZE	FILE NAME
	5/1	1/1	A4	125-NUT-78_B_1

REV.	DESCRIPTION	DRAWN	DATE
1	INITIAL RELEASE	FROS	2016/07/25



Material: C1018, Nickel plating + NYLOK
Packing: Polybag

UNLESS OTHERWISE SPECIFIED TOLERANCE					
UNIT:	DECIMAL	LINEAR	ANGLES		
mm	X.	±0.50	±5°	DRAWN NAME: Phillips Head Screw, M2.5x0.45P, 4L, Nylok	
	X.X	±0.25	±3°		
	X.XX	±0.12	±1°		
DRAWN	Fros	2016/07/25	DRAWN NAME:		
CHECKED	Tim	2016/07/25	PRODUCT NO. 125-SCREW		
APPROVED	Ken	2016/07/25	FILE NAME 125-SCREW_B_1		
	SCALE 5/1	SHEET 1/1	SIZE A4		