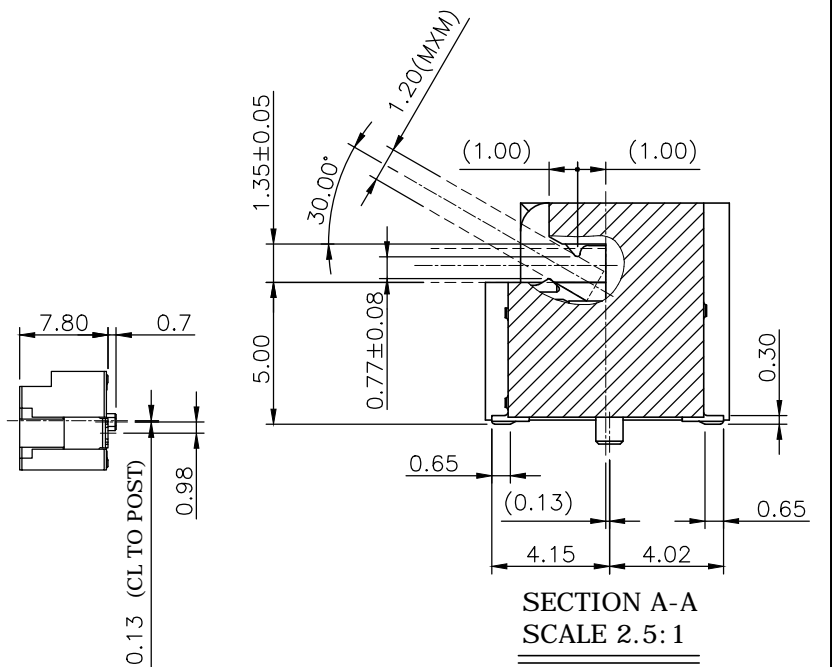
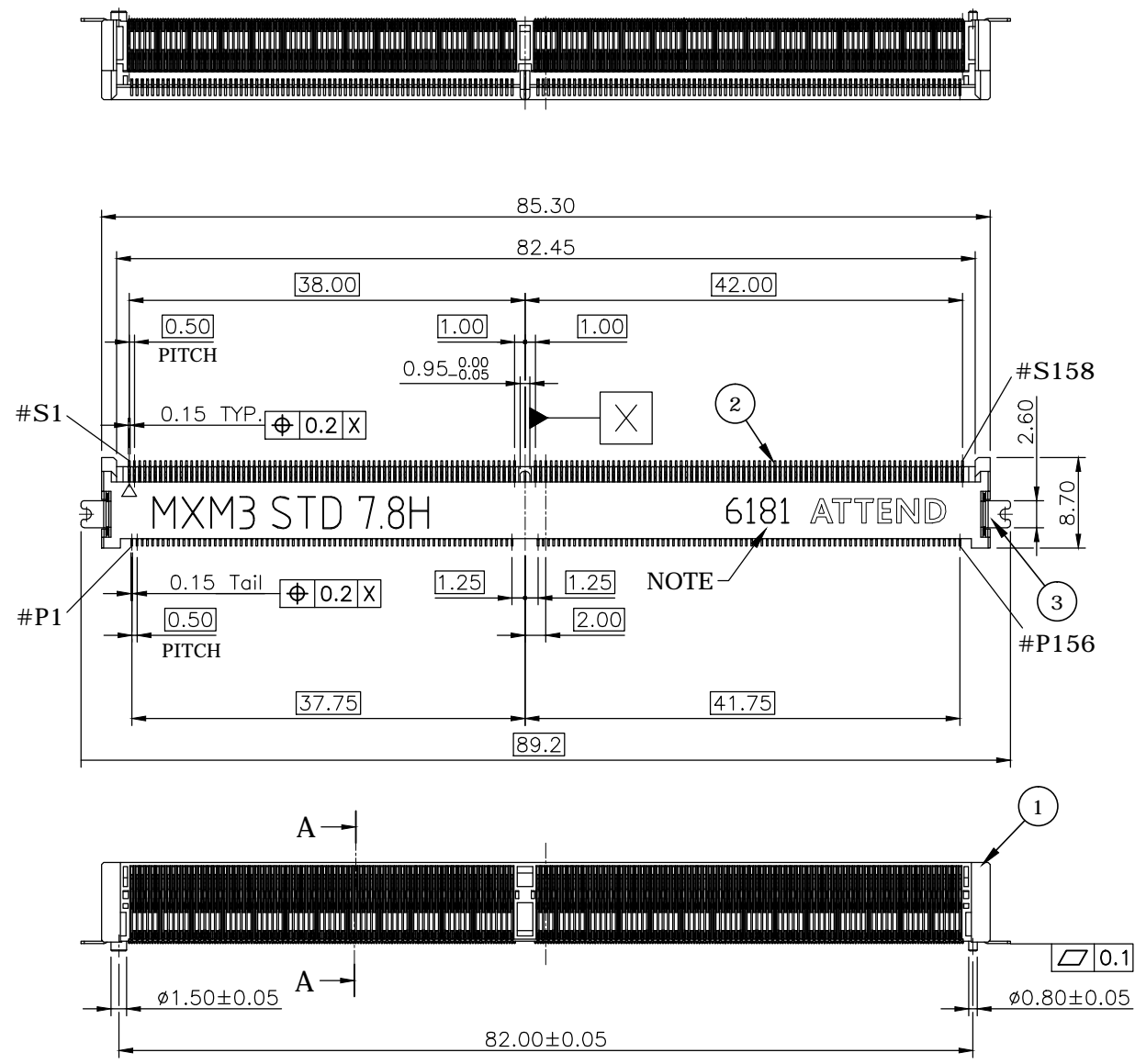


REV.	DESCRIPTION	DRAWN	DATE
0	PRELIMINARY	TIM	2016/07/28
1	INITIAL RELEASE	TIM	2016/09/23
2	CORRECTED	TIM	2016/11/04

NOTE:
DATE CODE: 6181 (YWWD)
Y : YEAR(2016)
WW: WEEK (01 ~ 52)
D : DAY (1 ~ 7)



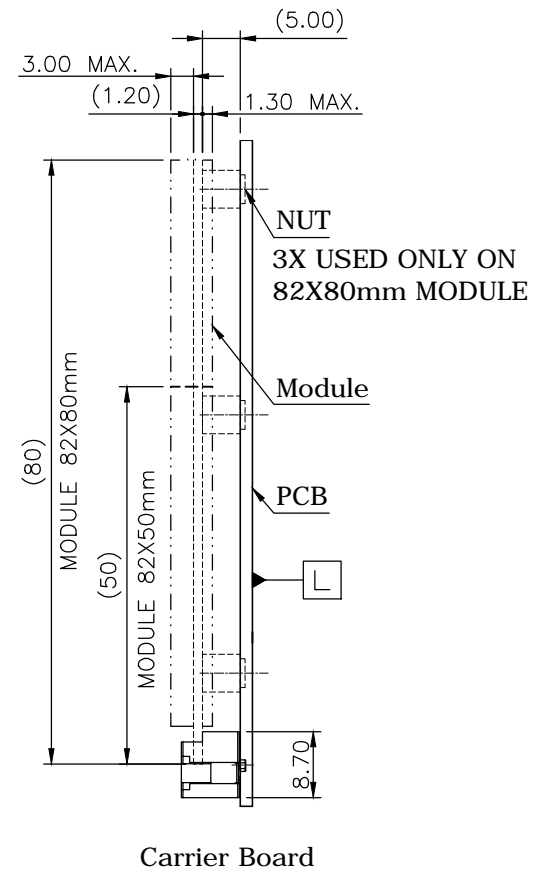
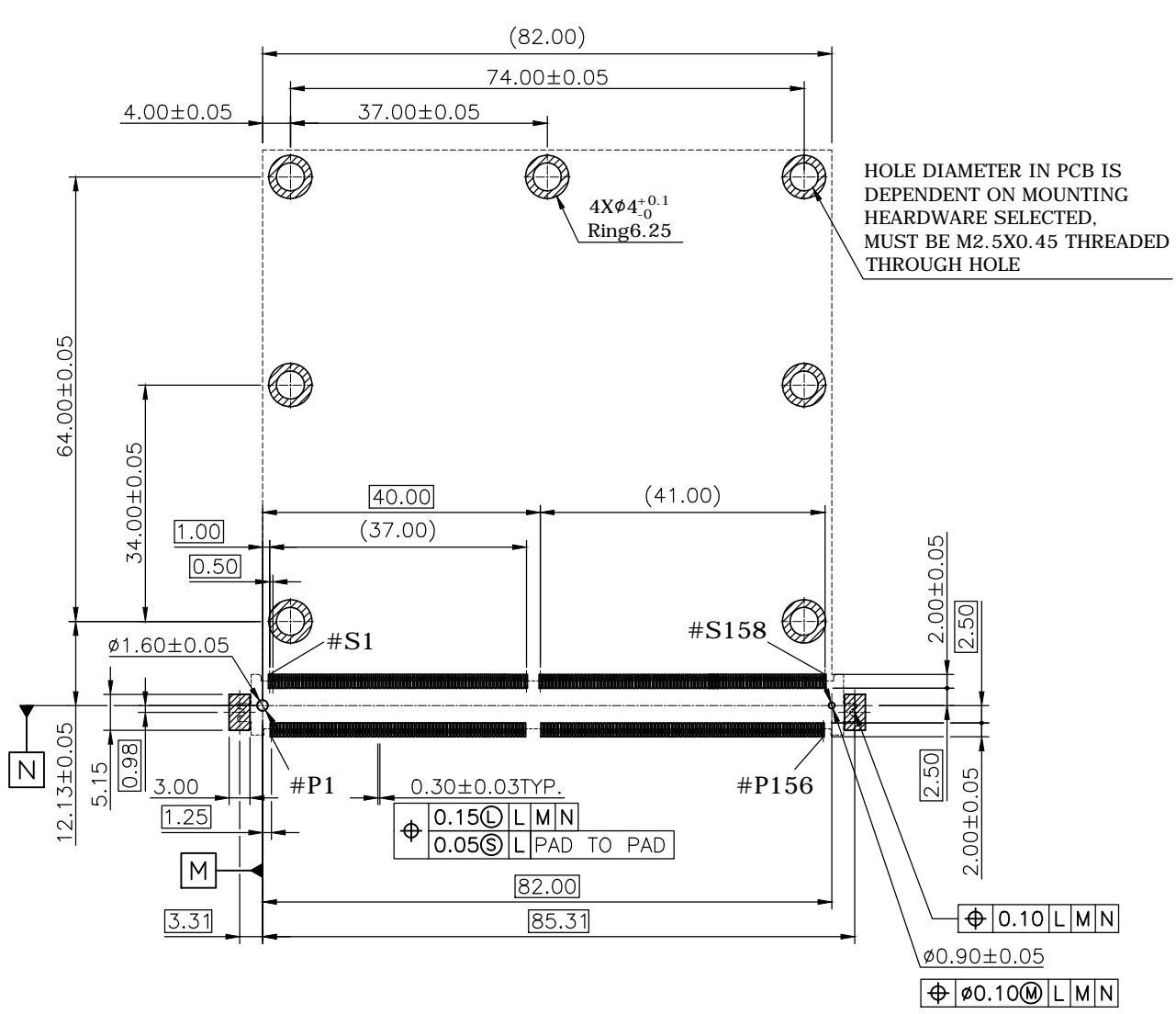
3	SOLDERPEG	Copper Alloy,Matte TIN 80μ"MIN. Ni Under Plated 60μ"MIN.
2	CONTACT	Copper Alloy,Contact: Au Plated 5μ"MIN. Ni Under Plated 60μ"MIN.
1	HOUSING	LCP, UL94V-0, Black
NO.	PART NAME	DESCRIPTION


UNLESS OTHERWISE SPECIFIED TOLERANCE			
UNIT:	DECIMAL	LINEAR	ANGLES
mm	X.	±0.50	±5°
	X.X	±0.25	±3°
	X.XX	±0.12	±1°



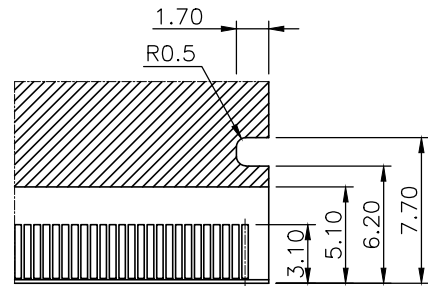
DRAWN	TIM	2016/07/28	DRAWN NAME:	MXM 3.0 314 pin for SMARC			
CHECKED	FROS	2016/07/28		0.5 Pitch, 7.8H, Standard Type, Reel			
APPROVED	Ken	2016/07/28	PRODUCT NO.	125B-78C00			
SCALE	1.5/1	SHEET	1/4	SIZE	A4	FILE NAME	125B-78C00_B_2

REV.	DESCRIPTION	DRAWN	DATE
	SEE SHEET ONE		

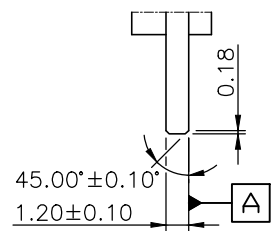


UNLESS OTHERWISE SPECIFIED TOLERANCE				 WWW.ATTEND.COM.TW
UNIT:	DECIMAL	LINEAR	ANGLES	
mm	X.	±0.50	±5°	
	X.X	±0.25	±3°	
	X.XX	±0.12	±1°	
DRAWN	TIM	2016/07/28	DRAWN NAME:	
CHECKED	FROS	2016/07/28	MXM 3.0 314 pin for SMARC 0.5 Pitch, 7.8H, Standard Type, Reel	
APPROVED	Ken	2016/07/28	PRODUCT NO. 125B-78C00	
SCALE	SHEET	SIZE	FILE NAME	
1/1	2/4	A4	125B-78C00_B_2	

REV.	DESCRIPTION	DRAWN	DATE
	SEE SHEET ONE		

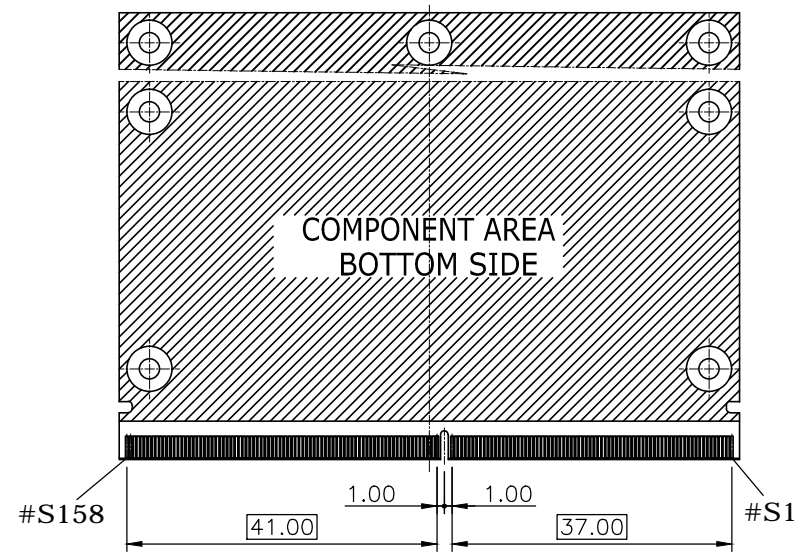
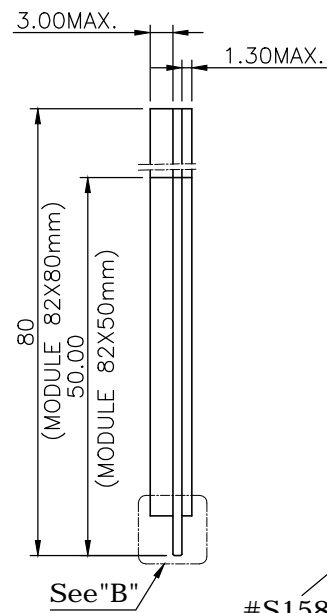
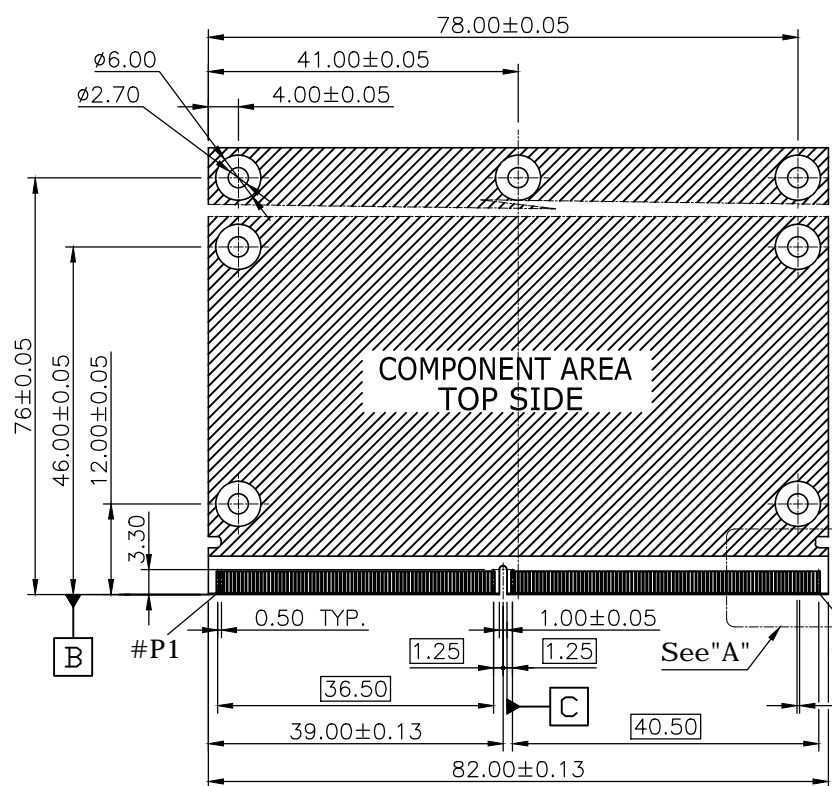


DETAIL A
SCALE 2.5:1



DETAIL B
SCALE 2.5:1

- NOTES; (APPLIED TO SHEET 3)
- 1.TOLERANCES ON ALL DIMENSION ± 0.1 UNLESS OTHERWISE SPECIFIED.
 - 2.P.C.BOARD THICKNESS APPLIES ACROSS TABS AND INCLUDES PLATING AND/OR METALIZATION.
 - 3.FINISH OF PAD : GOLD PLATING 30μ "MIN. OVER Ni PLATING 80μ "MIN.
 - 4.The common dimension for MXM3.0-TYPE A,B when there is no special mention.



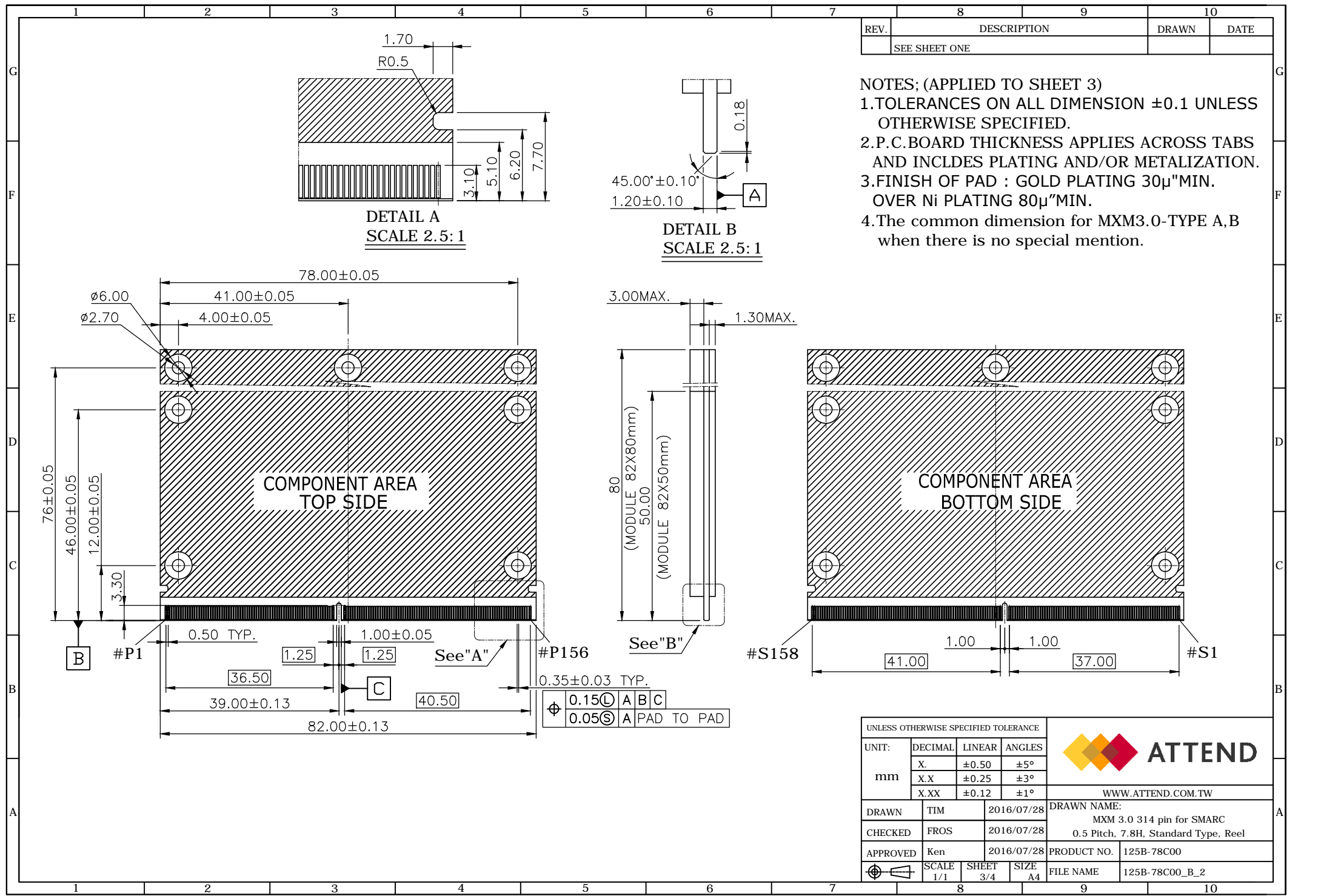
ϕ	0.15	(L)	A	B	C
ϕ	0.05	(S)	A	PAD TO PAD	

UNLESS OTHERWISE SPECIFIED TOLERANCE

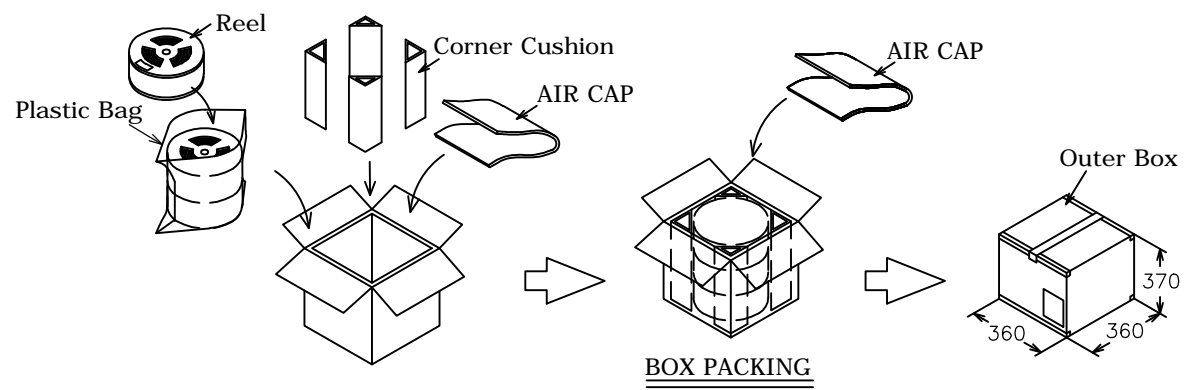
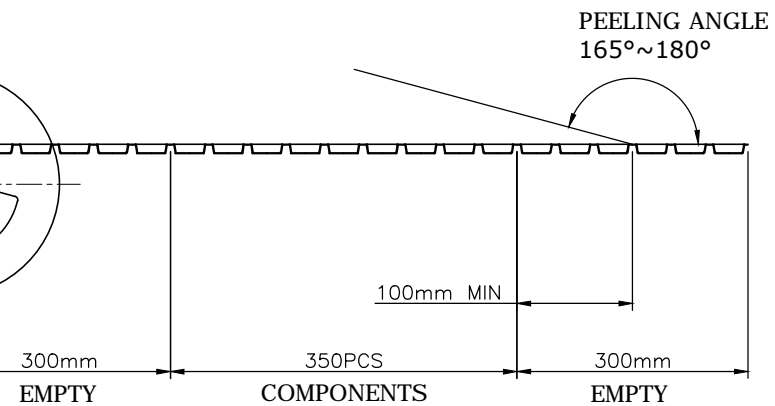
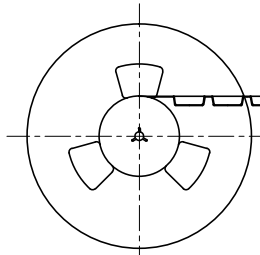
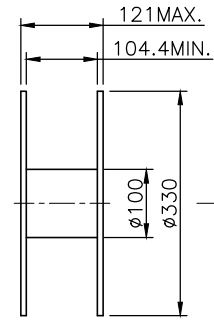
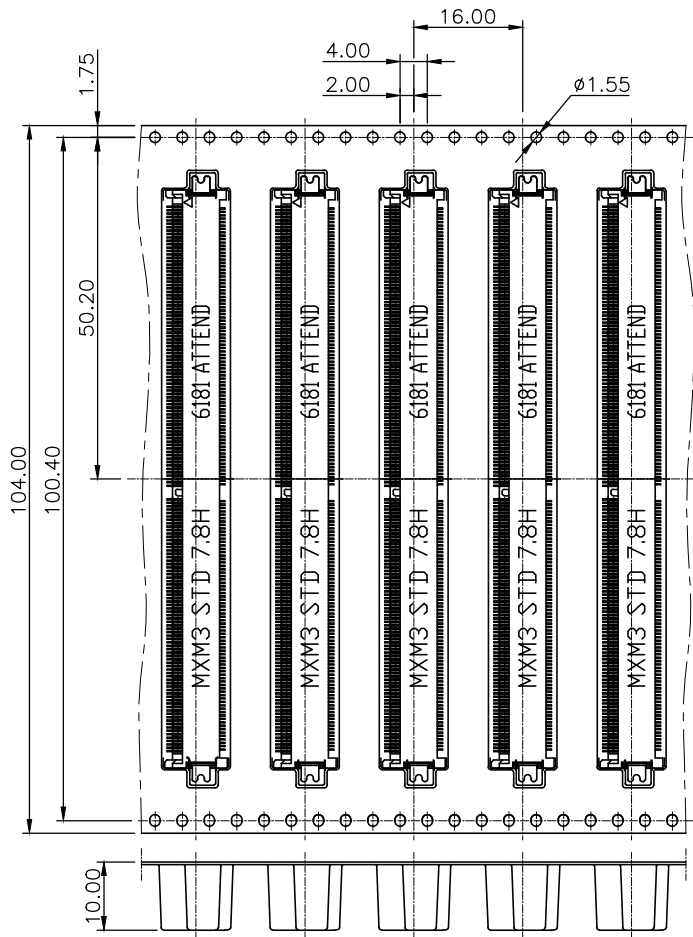
UNIT:	DECIMAL	LINEAR	ANGLES
mm	X.	± 0.50	$\pm 5^\circ$
	X.X	± 0.25	$\pm 3^\circ$
	X.XX	± 0.12	$\pm 1^\circ$



DRAWN	TIM	2016/07/28	DRAWN NAME:	MXM 3.0 314 pin for SMARC
CHECKED	FROS	2016/07/28		0.5 Pitch, 7.8H, Standard Type, Reel
APPROVED	Ken	2016/07/28	PRODUCT NO.	125B-78C00
ϕ	SCALE 1/1	SHEET 3/4	SIZE A4	FILE NAME 125B-78C00_B_2




REV.	DESCRIPTION	DRAWN	DATE
	SEE SHEET ONE		

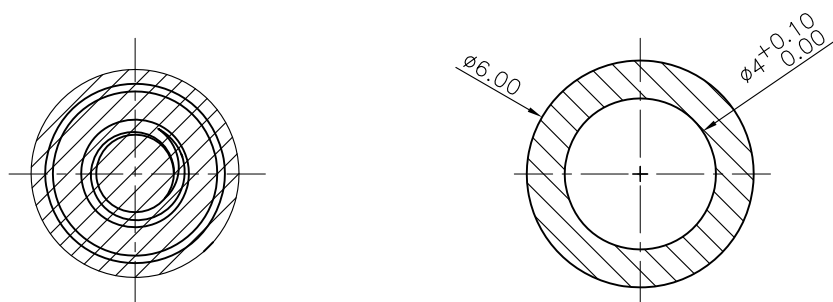


PACKAGING SPECIFICATION:

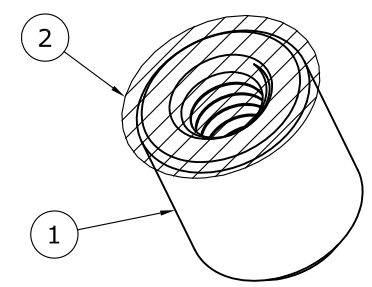
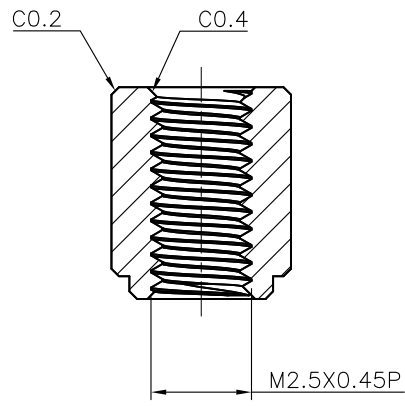
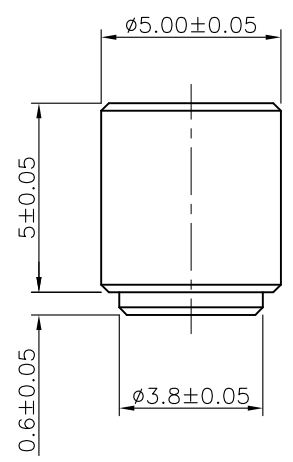
- 1. PACKING
- 1.1 Quantity:
 - 350Piece/ Reel
 - 1050 Piece/ Carton



UNLESS OTHERWISE SPECIFIED TOLERANCE				 WWW.ATTEND.COM.TW
UNIT:	DECIMAL	LINEAR	ANGLES	
mm	X.	±0.50	±5°	
	X.X	±0.25	±3°	
	X.XX	±0.12	±1°	
DRAWN	TIM	2016/07/28	DRAWN NAME:	
CHECKED	FROS	2016/07/28	MXM 3.0 314 pin for SMARC	
APPROVED	Ken	2016/07/28	0.5 Pitch, 7.8H, Standard Type, Reel	
SCALE	N/A	SHEET	SIZE	PRODUCT NO.
		4/4	A4	125B-78C00
FILE NAME		125B-78C00_B_2		

REV.	DESCRIPTION	DRAWN	DATE
1	INITIAL RELEASE	FROS	2016/07/25



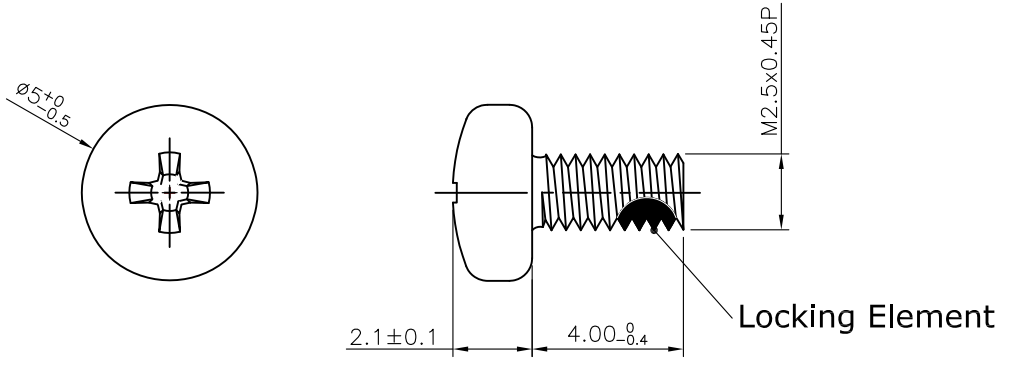
Recommended Layout (top view)
General Tolerance: $\pm 0.05\text{mm}$




2	MYLAR	0.1t		
1	NUT	Low Lead Brass, Tin Plating		
NO. PART NAME		DESCRIPTION		
UNLESS OTHERWISE SPECIFIED TOLERANCE				
UNIT:	DECIMAL	LINEAR	ANGLES	
	X.	± 0.50	$\pm 5^\circ$	
	X.X	± 0.25	$\pm 3^\circ$	
mm	X.XX	± 0.12	$\pm 1^\circ$	
				
			WWW.ATTEND.COM.TW	
DRAWN	Fros	2016/07/25	DRAWN NAME:	
CHECKED	Tim	2016/07/25	Nut, M2.5x0.45P, 5H, Reel	
APPROVED	Ken	2016/07/25	PRODUCT NO.	125-NUT-78
	SCALE	SHEET	SIZE	FILE NAME
	5/1	1/1	A4	125-NUT-78_B_1

REV.	DESCRIPTION	DRAWN	DATE
1	INITIAL RELEASE	FROS	2016/07/25

Material: C1018, Nickel plating + NYLOK
Packing: Polybag



UNLESS OTHERWISE SPECIFIED TOLERANCE						
UNIT:	DECIMAL	LINEAR	ANGLES			WWW.ATTEND.COM.TW
mm	X.	±0.50	±5°	DRAWN NAME: Phillips Head Screw, M2.5x0.45P, 4L, Nylok		
	X.X	±0.25	±3°			
	X.XX	±0.12	±1°			
DRAWN	Fros	2016/07/25	DRAWN NAME:			
CHECKED	Tim	2016/07/25	PRODUCT NO. 125-SCREW			
APPROVED	Ken	2016/07/25	SCALE	SHEET	SIZE	FILE NAME
		5/1	1/1	A4	125-SCREW_B_1	