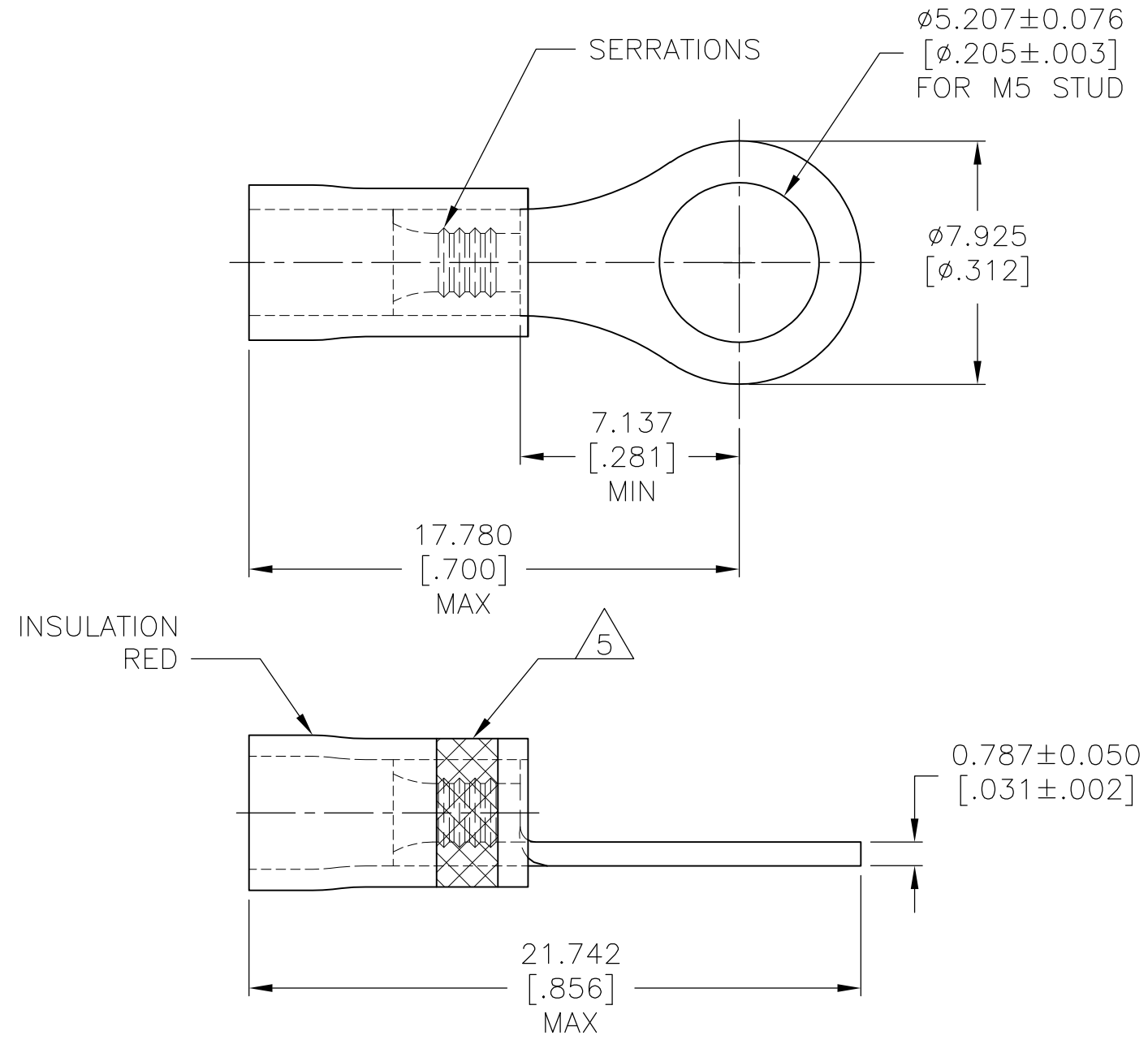


THIS DRAWING IS UNPUBLISHED. RELEASED FOR PUBLICATION  
 © COPYRIGHT - By - ALL RIGHTS RESERVED.

REVISIONS					
P	LTR	DESCRIPTION	DATE	DWN	APVD
G2		REVISED PER ECO-11-005027	11MAR11	RK	HMR
G3		REVISED PER ECR-17-002237	06MAR2017	RS	DR



- 1 WIRE SIZE: 0.254-1.625[.010-.064]mm<sup>2</sup>.
- 2 INSULATION RANGE:  $\phi$ 2.692-3.556[ $\phi$ .106-.140]DIA.
- 3 MATERIAL:  
BODY: CU PER ASTM B-152  
SLEEVE: PVC
- 4 FINISH:  
BODY: TIN PLATE PER ASTM B-545  
SLEEVE: COLOR-RED
- 5 MARKING FOR FRENCH MANUFACTURED PRODUCT.
- 6 UL LISTED E13288 SOLID OR STRANDED WIRE.

5000	TAPE & REEL	2-130014-1
1000	LOOSE PIECE	130014
QTY	PACKAGE TYPE	PART NO.

AMP INCORPORATED CUSTOMER SERVICE SYSTEMS	
FOR ADDITIONAL PRODUCT INFORMATION OR COPIES OF DRAWINGS AND TECHNICAL DOCUMENTS	PRODUCT INFORMATION CENTER 1-800-522-6752
FOR APPLICATION TOOLING INFORMATION	TOOLING ASSISTANCE CENTER 1-800-722-1111
FOR ORDER ENTRY	1-800-526-5142

MAX RECOMMENDED OPERATING TEMPERATURE: 105°C [221°F]
VOLTAGE RATING: 600 V MAX 100 V SIGN OR FIXTURE
CIRCULAR MIL AREA: 0.26-1.65mm <sup>2</sup> [509-3260] SOLID OR STRANDED

THIS DRAWING IS A CONTROLLED DOCUMENT.	
DIMENSIONS: mm [INCHES]	TOLERANCES UNLESS OTHERWISE SPECIFIED:
	0 PLC ± -
	1 PLC ± -
	2 PLC ± -
	3 PLC ± 0.127[.005]
	4 PLC ± -
	ANGLES ± -
MATERIAL	FINISH
3	4

DWN	JR RUTH	13SEP05
CHK	G.ROBERT	30-JAN-97
APVD	JJ.REVIL	30-JAN-97
PRODUCT SPEC	-	
APPLICATION SPEC	-	
WEIGHT	-	

TE Connectivity			
NAME PLASTI-GRIP TERMINAL WIRE SIZE : 22-16 AWG			
SIZE	CAGE CODE	DRAWING NO	RESTRICTED TO
A3	00779	C-130014	-
CUSTOMER DRAWING		SCALE 5:1	SHEET 1 OF 1 REV G3