

Metal Switch Medium Stroke, Switching Voltage up to 36 VDC



MCS ES 18



Description

- Vandal-proof momentary switch with a diameter of 18 mm
- Assembly by mounting with nut
- Clip for Pins

Standards

- EN 50102

Characteristics

- Housing and actuator made of high quality stainless steel
- Rugged design, protection against vandalism
- For use in harsh environments, both indoors and outdoors

Weblinks

[html-datasheet](#), [General Product Information](#), [CE declaration of conformity](#), [RoHS](#), [CHINA-RoHS](#), [CAD-Drawings](#), [Product News](#), [Detailed request for product](#)

Technical Data

Electrical Data

Contact Material Silver

Switching Voltage	min. 3 VDC , max. 36 VDC
Switching Current	max. 2 A
Rated Switching Capacity	72 W
Lifetime	0.2 million actuations
Contact Resistance	< 50mΩ
Insulation Resistance	> 1'000 MΩ
Duration of Bounce	< 10 ms

Mechanical Data

Actuating Force	4 N
Actuating Travel	1.8 mm,
Lifetime	1 million actuations
Shock Protection	IK 09 ,
Tightening Torque	1 Nm

Climatical Data

Operating Temperature	-20 to +55 °C
Storage Temperature	-20 to +55 °C
IP-Protection	IP 65 from front side ,

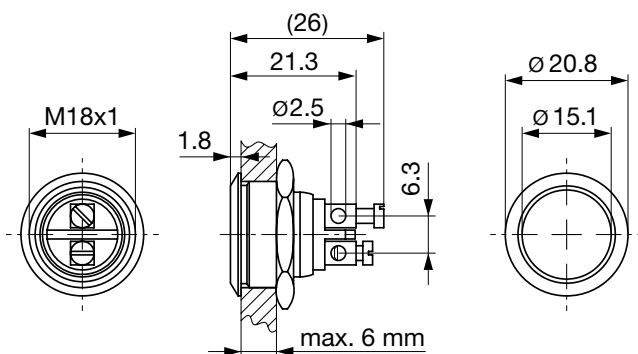
Material

Contact Material	Ag
Housings	Stainless Steel
Actuator unlettered	Stainless Steel

Detailed information on product approvals, code requirements, usage instructions and detailed test conditions can be looked up in [General Product Information](#)

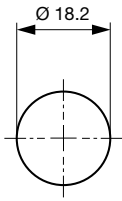
Dimension [mm]

MCS ES 18



Dimension

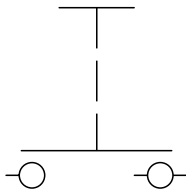
MCS ES 18



Drilling diagram

Diagrams

MCS ES 18



All Variants

Switching Current	Switching Voltage	Contact Material	Shock Protection	Torsion Protection	IP Protection Class Front Side	Config. Code	Order Number
[A]	[VAC/ VDC]						
2 A	36 VDC	Ag	IK 09	no	IP 65	MCS ES 18	1301.9560

Nut with gasket are enclosed in the box.

Most Popular.

Availability for all products can be searched real-time:<http://www.schurter.com/en/Stock-Check/Stock-Check-SCHURTER>

Packaging unit 40 in cardboard box



- Actuating elements with nut in the packaging
 - Sealing rings in a bag (enclosed in the box)
-