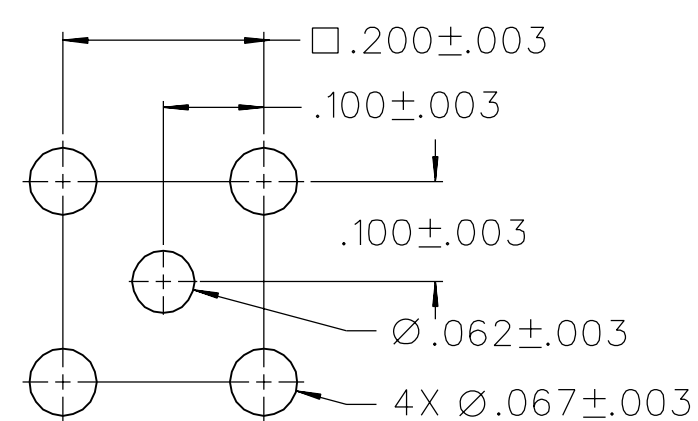
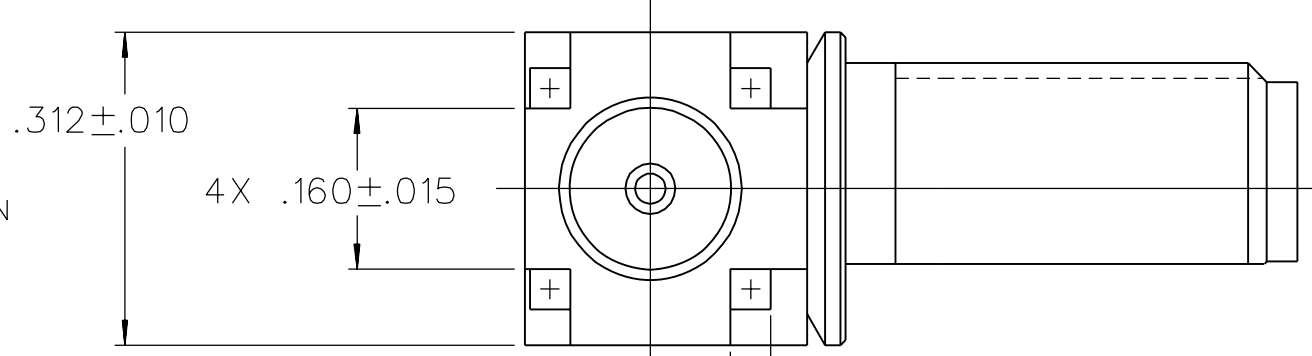
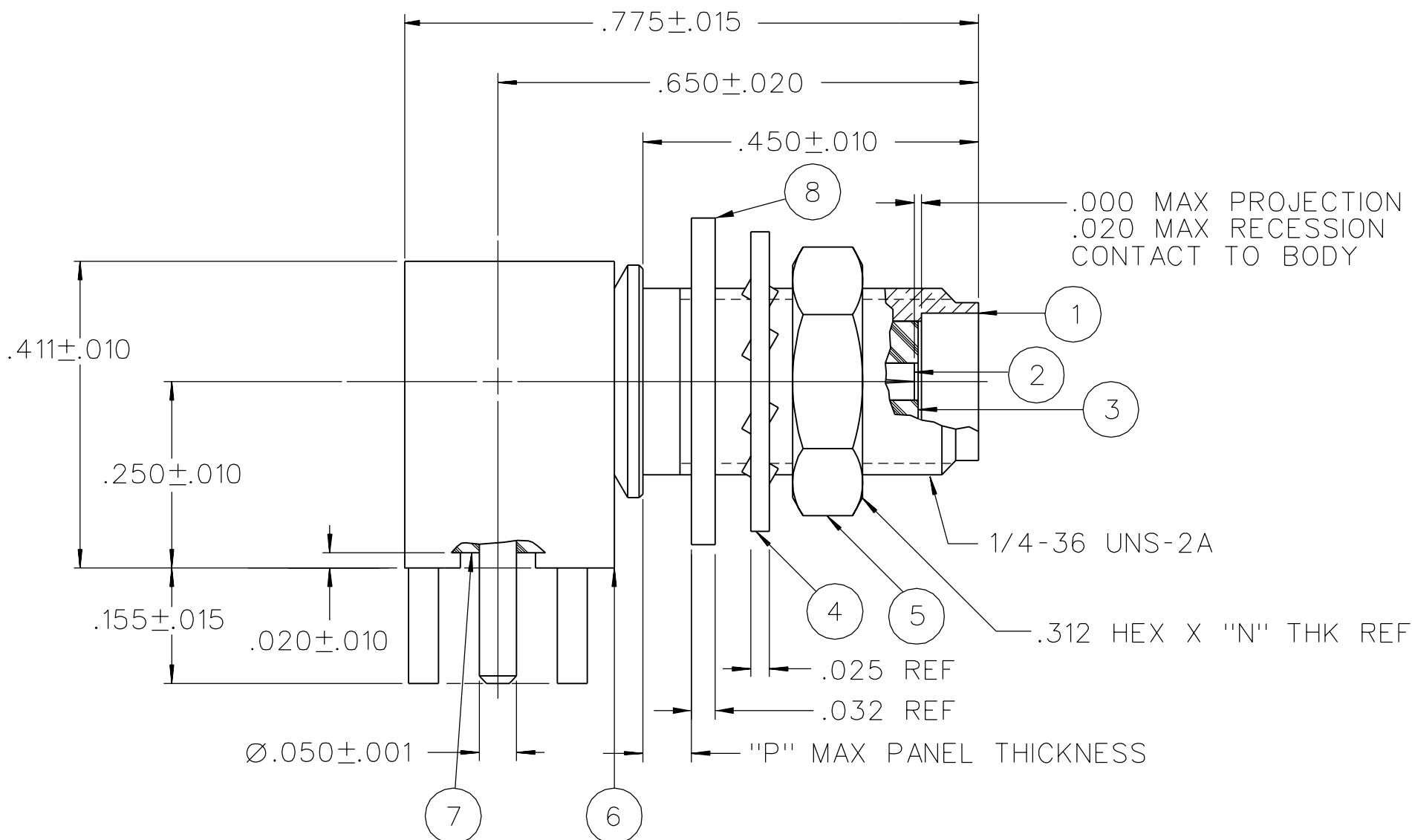
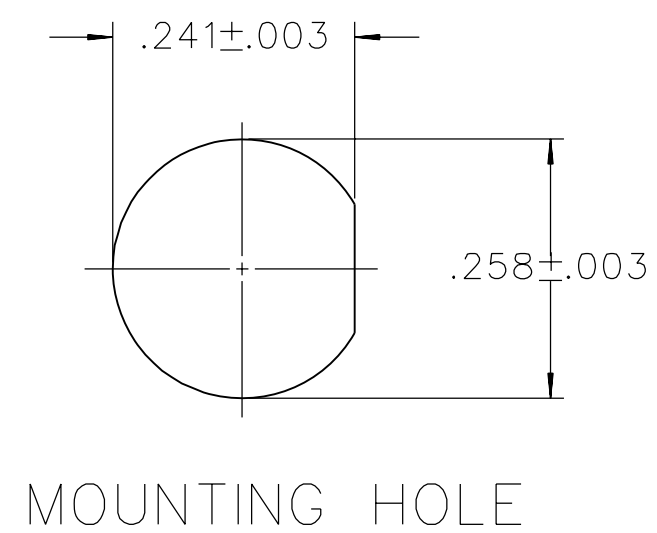


PART NUMBER	ITEM ① BODY	ITEM ② CONTACT (ONE PIECE)	ITEM ③ BODY INSULATOR	ITEM ④ LOCK WASHER	ITEM ⑤ NUT	ITEM ⑥ BASE	ITEM ⑦ BASE INSULATOR	ITEM ⑧ FLAT WASHER	"N"	"P"
142-0701-501	BRASS GOLD PL .00001 MIN OVER NICKEL PL .0001 MIN OVER COPPER PL .00005 MIN	BERYLLIUM COPPER GOLD PL .00005 MIN OVER NICKEL PL .00005 MIN OVER COPPER PL .00005 MIN	TEFLON	BRONZE GOLD PL .00001 MIN OVER NICKEL PL .0001 MIN OVER COPPER PL .00005 MIN	BRASS GOLD PL .00001 MIN OVER NICKEL PL .0001 MIN OVER COPPER PL .00005 MIN	BRASS GOLD PL .00001 MIN OVER NICKEL PL .0001 MIN OVER COPPER PL .00005 MIN	TEFLON		.094	.109
142-0701-502	BRASS GOLD PL .00001 MIN OVER NICKEL PL .0001 MIN OVER COPPER PL .00005 MIN	BERYLLIUM COPPER GOLD PL .00005 MIN OVER NICKEL PL .00005 MIN OVER COPPER PL .00005 MIN	TEFLON			BRASS GOLD PL .00001 MIN OVER NICKEL PL .0001 MIN OVER COPPER PL .00005 MIN	TEFLON		.094	.109
142-0701-503	BRASS GOLD PL .00001 MIN OVER NICKEL PL .0001 MIN OVER COPPER PL .00005 MIN	BERYLLIUM COPPER GOLD PL .00005 MIN OVER NICKEL PL .00005 MIN OVER COPPER PL .00005 MIN	TEFLON		BRASS GOLD PL .00001 MIN OVER NICKEL PL .0001 MIN OVER COPPER PL .00005 MIN	BRASS GOLD PL .00001 MIN OVER NICKEL PL .0001 MIN OVER COPPER PL .00005 MIN	TEFLON	BRASS GOLD PL .00001 MIN OVER NICKEL PL .0001 MIN OVER COPPER PL .00005 MIN	.063	.125
142-0701-506	BRASS NICKEL PL .0001 MIN OVER COPPER PL .00005 MIN	BERYLLIUM COPPER GOLD PL .00005 MIN OVER NICKEL PL .00005 MIN OVER COPPER PL .00005 MIN	TEFLON	BRONZE NICKEL PL .0001 MIN OVER COPPER PL .00005 MIN	BRASS NICKEL PL .0001 MIN OVER COPPER PL .00005 MIN	BRASS NICKEL PL .0001 MIN OVER COPPER PL .00005 MIN	TEFLON		.094	.109
142-0701-507	BRASS NICKEL PL .0001 MIN OVER COPPER PL .00005 MIN	BERYLLIUM COPPER GOLD PL .00005 MIN OVER NICKEL PL .00005 MIN OVER COPPER PL .00005 MIN	TEFLON		BRASS NICKEL PL .0001 MIN OVER COPPER PL .00005 MIN	BRASS NICKEL PL .0001 MIN OVER COPPER PL .00005 MIN	TEFLON	BRASS NICKEL PL .0001 MIN OVER COPPER PL .00005 MIN	.063	.125
142-0701-508	BRASS NICKEL PL .0001 MIN OVER COPPER PL .00005 MIN	BERYLLIUM COPPER GOLD PL .00005 MIN OVER NICKEL PL .00005 MIN OVER COPPER PL .00005 MIN	TEFLON	BRONZE NICKEL PL .0001 MIN OVER COPPER PL .00005 MIN	BRASS NICKEL PL .0001 MIN OVER COPPER PL .00005 MIN	BRASS NICKEL PL .0001 MIN OVER COPPER PL .00005 MIN	TEFLON	BRASS NICKEL PL .0001 MIN OVER COPPER PL .00005 MIN	.094	.072

DRAWING NO. C - 142-0701-501/510	
REVISIONS	
WAS P/N 030-3362-579 ENGINEERING RELEASE	
01	03-15-89 [E][J][R][J][A][W] 04-12-89 [E][C]O 23895
VERSION UPDATE.	
02	09-14-89 [E][J][R][J][A][W] 09-19-89 [E][C]O 24146
VERSION UPDATE.	
03	09-14-89 [E][J][R][J][A][W] 10-25-89 [E][C]O 24177
VERSION UPDATE.	
4	9-6-91 [R][H][R][J][P][A][H] 10-11-9 [E][C]O 40551
CHANGED: .775+- .015 WAS .837+- .015, .312+- .010 WAS DIA .375+- .010, 4X .040+- .003 WAS 4X .040+- .003, RF HIGH POT 4 AND 7 MHZ WAS 5 MHZ	
5	9-29-92 [R][H][R][J][P][A][H] 10-6-92 [E][C]N 41206
CHANGED: .411+- .010 WAS .406+- .010	
6	9-14-94 [R][H][R][J][P][A][H] 9-27-94 [E][C]N 46271
ADDED: P/N 142-0701-502	
6a	2-17-97 [R][H][R][J][P][A][H] [E][C]N 44649
CHANGED: ITEM 4 LOCKWASHER BRONZE WAS BRASS, .094 THK REF WAS .063 THK REF, .025 REF WAS .032 REF, .109 MAX PANEL THICKNESS WAS .125 MAX PANEL THICKNESS, UPDATED GRAPHICS	
7	12-4-02 [R][H][R][J][P][A][H] [E][C]N 47942
ADDED: P/N 142-0701-503, TABULATED DIMENSIONS "N", "P" & "W"	
***** * REVISION NUMBER FOLLOWED BY AN ALPHA * * CHARACTER INDICATES DRAWING CLARIFICATION OR PART NUMBER ADDITION ONLY. *****	
7a	5-8-03 [R][H][R][J][P][A][H] [E][C]N 48803
ADDED: P/N 142-0701-507	
***** * REVISION NUMBER FOLLOWED BY AN ALPHA * * CHARACTER INDICATES DRAWING CLARIFICATION OR PART NUMBER ADDITION ONLY. *****	
7b	12-3-03 [R][H][R][J][P][A][H] 12-15-03 [E][C]N 49089
ADDED: P/N 142-0701-508	
***** * REVISION NUMBER FOLLOWED BY AN ALPHA * * CHARACTER INDICATES DRAWING CLARIFICATION OR PART NUMBER ADDITION ONLY. *****	
7c	10-21-04 [R][H][R][J][P][A][H] 11-2-04 [E][C]N 49495



NOTES:

1. SPECIFICATIONS:

IMPEDANCE: 50 OHMS
 FREQUENCY RANGE: 0-18 GHZ
 VSWR: NOT APPLICABLE
 WORKING VOLTAGE: 335 VRMS MAX AT SEA LEVEL
 DIELECTRIC WITHSTANDING VOLTAGE: 1000 VRMS MIN AT SEA LEVEL
 INSULATION RESISTANCE: 5000 MEGOHM MIN
 CONTACT RESISTANCE:
 CENTER CONTACT - INITIAL 3.0 MILLIOHM MAX, AFTER ENVIRONMENTAL 4.0 MILLIOHM MAX
 OUTER CONDUCTOR - INITIAL 2.0 MILLIOHM MAX AFTER ENVIRONMENTAL NOT APPLICABLE
 BRAID TO BODY - NOT APPLICABLE
 CORONA LEVEL: 250 VOLTS MIN AT 70,000 FEET
 INSERTION LOSS: NOT APPLICABLE
 RF LEAKAGE: NOT APPLICABLE
 RF HIGH POTENTIAL WITHSTANDING VOLTAGE: 670 VRMS AT 4 AND 7 MHZ MIN

MECHANICAL:

ENGAGE/DISENGAGE TORQUE: 2 INCH-POUNDS MAX
 MATING TORQUE: 7-10 INCH POUNDS
 COUPLING PROOF TORQUE: NOT APPLICABLE
 COUPLING NUT RETENTION: NOT APPLICABLE
 CONTACT RETENTION: 6 LBS MIN AXIAL FORCE
 CABLE ACCEPTABILITY: NOT APPLICABLE
 CABLE HEX CRIMP SIZE: NOT APPLICABLE
 CABLE RETENTION: NOT APPLICABLE
 DURABILITY: 500 CYCLES MIN

ENVIRONMENTAL:

(MEETS OR EXCEEDS THE APPLICABLE PARAGRAPH OF MIL-PRF-39012)
 THERMAL SHOCK: MIL-STD-202, METHOD 107, CONDITION B
 OPERATING TEMPERATURE: -65 DEG C TO 165 DEG C
 CORROSION: MIL-STD-202, METHOD 101, CONDITION B
 SHOCK: MIL-STD-202, METHOD 213, CONDITION I
 VIBRATION: MIL-STD-202, METHOD 204, CONDITION D
 MOISTURE RESISTANCE: MIL STD 202, METHOD 106

CUSTOMER DRAWING

THIS DRAWING TO BE INTERPRETED PER ASME Y 14.5M - 1994

"μSTATION"

COMPANY CONFIDENTIAL

TOLERANCE UNLESS OTHERWISE SPECIFIED		DRAWN BY Bedney	DATE 3-1-89
DECIMALS	mm	CHECKED BY	DATE
.XX		APPROVED BY RJB	DATE 3-15-89
.XXX		RELEASE DATE	10-25-89
MATL		U/M	INCH
FINISH		SCALE	5:1

Cinch Connectivity Solutions
 P.O. Box 1732
 Waseca, MN 56093
 1-800-247-8256

TITLE
 JACK ASSEMBLY,
 RA PC MOUNT BULKHEAD
 SMA

SHEET
 2 OF 2

DRAWING NO.
 C - 142-0701-501/510