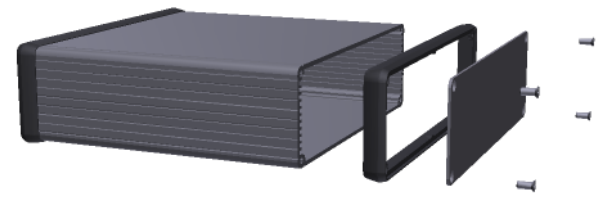
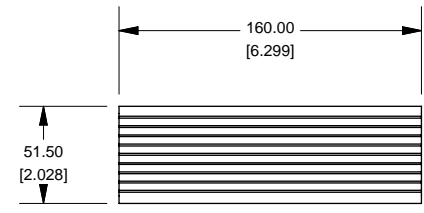
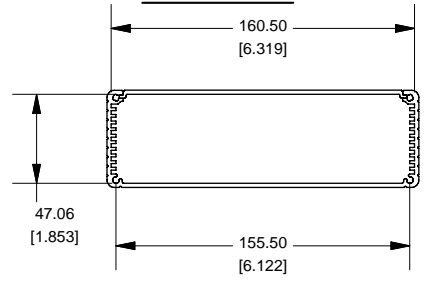
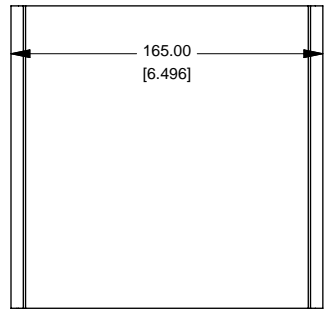
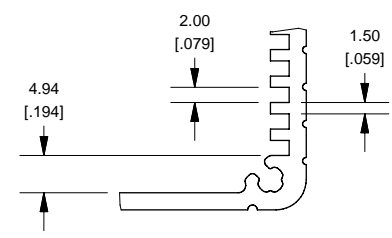


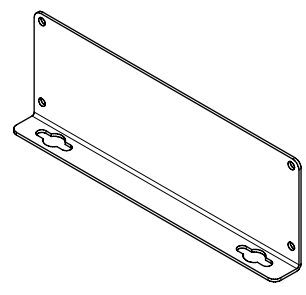
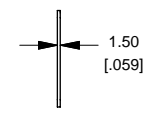
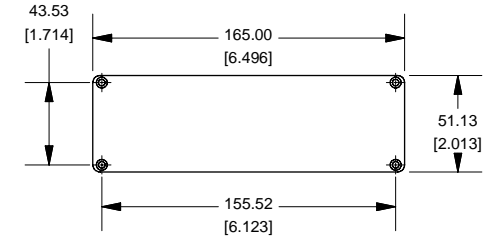
### Extrusion



### Slot Details

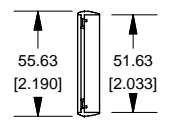
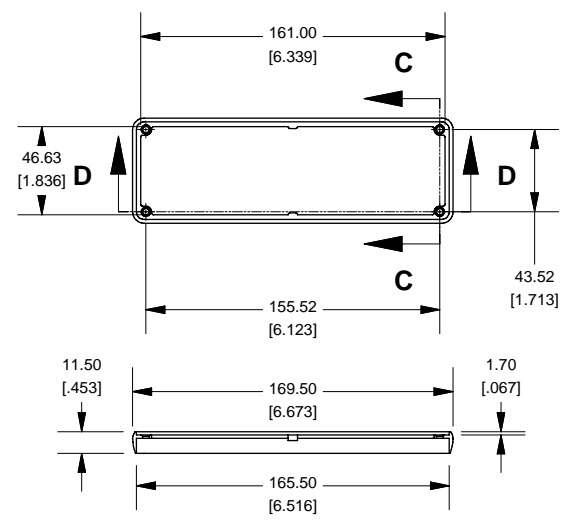


### End Plate



**OPTIONAL FLANGE END PANELS  
1455TF**

### Open Bezel



**NOTE**  
 Purchased assembly includes box, plastic bezels, end panels, #6 Taptight screws and self adhesive rubber feet.  
 Box made from Extruded Aluminum 6063.  
 Bezels made with polycarbonate.

| 1455T1601                    |             |
|------------------------------|-------------|
| PART NUMBERS                 |             |
| Clear Anodized               | 1455T1601   |
| Black Anodized               | 1455T1601BK |
| ACCESSORIES                  |             |
| See website for accessories. |             |

**HAMMOND  
MANUFACTURING™**

**1455T1601**  
www.hammondmfg.com

Enclosures can be Factory Modified ( Milling, Drilling, Printing etc. )  
 Solid models of this enclosure available in STEP or IGES.  
 Contact Factory [mjm@hammondmfg.com](mailto:mjm@hammondmfg.com)