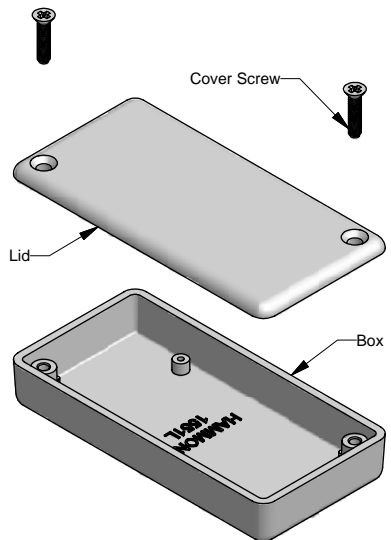
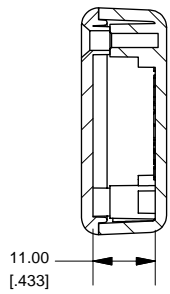
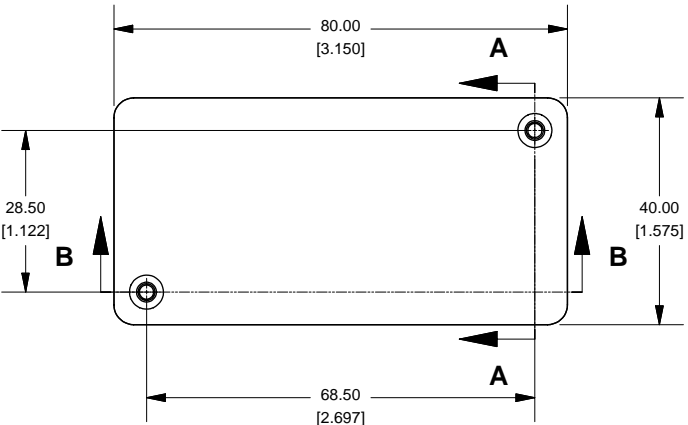


Top View of Assembly

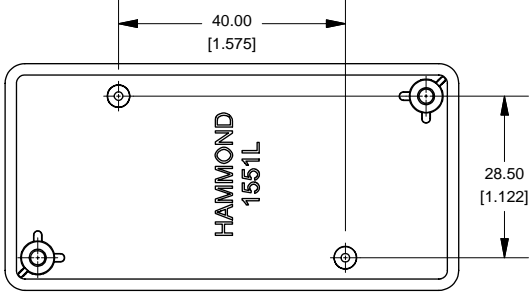
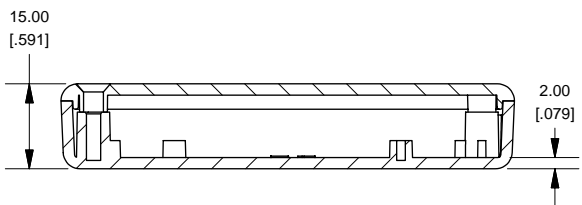
SECTION A-A End View of Assembly

1551L (Basic)



SECTION B-B Side View of Assembly

Top View Looking Inside Box



SECTION C-C Boss Heights

Maximum P.C. Board Size

NOTE
Purchased assembly includes lid and box made from GP ABS material and cover screws.

1551L	
1551L Enclosure	
Black Enclosure - RAL 7011	1551LBK
Gray Enclosure - RAL 7035	1551LGY
ACCESSORIES	
Black Enclosure Cover Screws (Pkg 100) [#4 X 1/2" Self Tapping]	1591TS100BK
Gray Enclosure Cover Screws (Pkg 100) [#4 X 1/2" Self Tapping]	1591TS100
P.C. Board Screws [#2 X 3/16" Self-Tapping]	1551ATS100 (Pkg 100)

