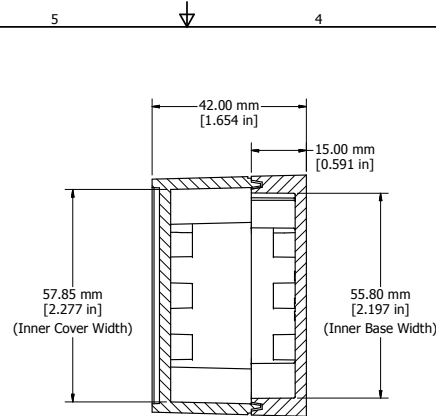
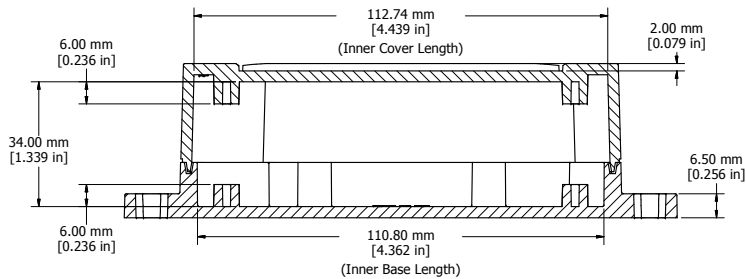
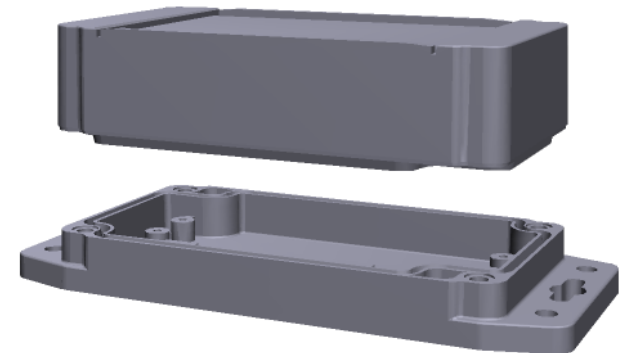


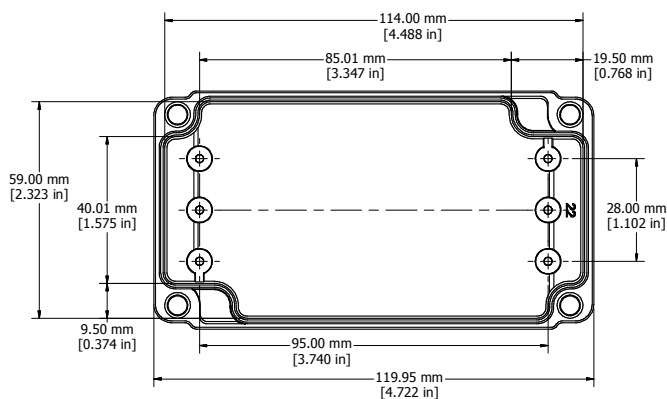
ASSEMBLY



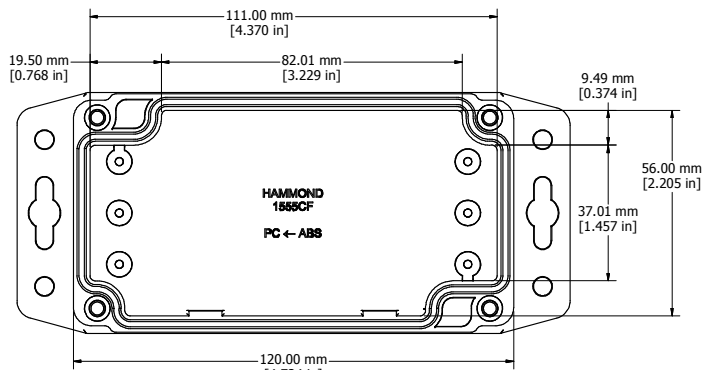
SECTION A-A  
END VIEW OF ASSEMBLY



SECTION B-B  
SIDE VIEW OF ASSEMBLY



COVER - INSIDE



BASE - INSIDE

Enclosures can be Factory Modified ( Milling, Drilling, Printing etc. )  
Solid models of this enclosure available in STEP or IGES.  
Contact Factory [mjm@hammondmfg.com](mailto:mjm@hammondmfg.com)

NOTE	
Purchased Assembly Includes Box, Lid, 4 x M4 x 20 SS Cover Screws & Preformed Silicone Gasket	
Cover screws should be torqued to 2.5 lbf-in (30 cN-m)	

1555CF22	
1555CF22 Flanged Enclosure	
General Purpose ABS RAL-7035 UL94-HB	1555CF22GY
Poycarbonate RAL-7035 UL94 - V0 / 5VA @ 3mm	1555CF22GY
ACCESSORIES	
Heavy Duty 16 Gauge Galvanized Steel Panels	1555CFPL
Steel Panel / P.C. Board Self Tapping Screw #6 X 1/4" (6.4mm) Nickel Plated	1598ATS100
Cover Screws (Pkg 4) [M4 X 20mm Type 304 Stainless Steel]	SC1554

