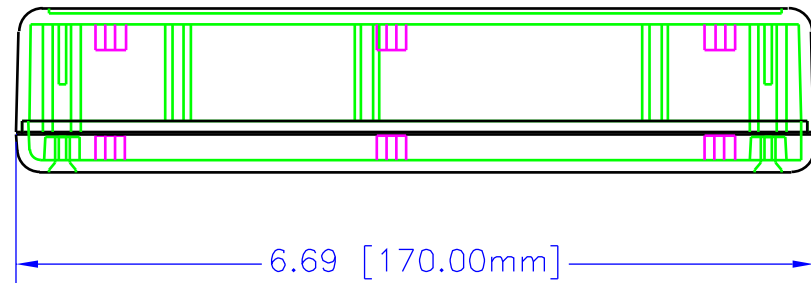
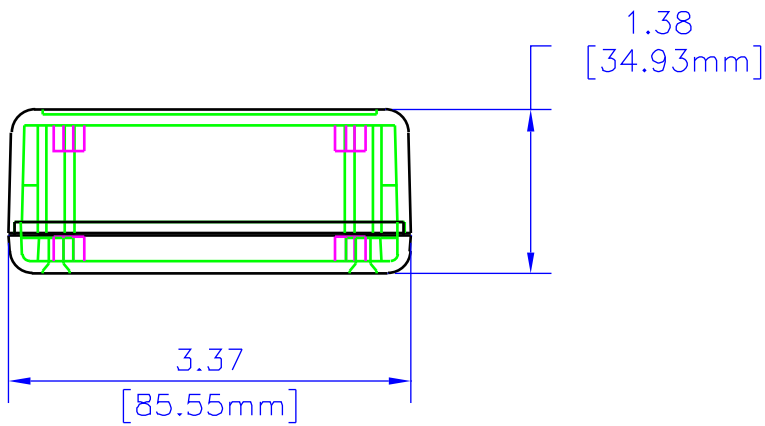
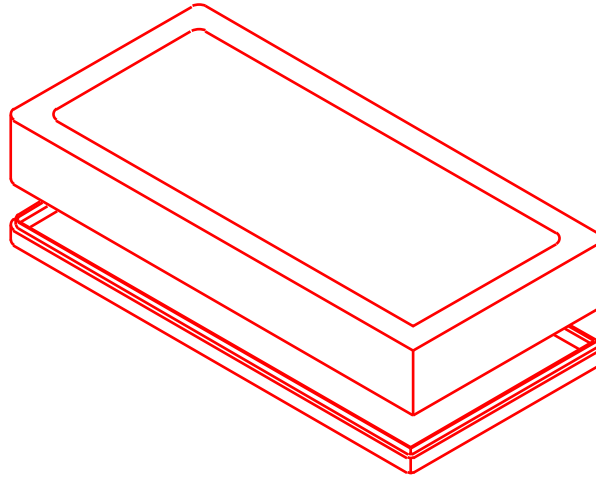


REV	DESCRIPTION	DATE

NOTES

- MATERIAL** (ABS) FLAME RETARDANT UL94 VO MATERIAL WITH BRASS INSERTS IN CORNER POSTS.
(STYRENE) IS NON-FLAME RETARDANT WITHOUT BRASS INSERTS.
- PARTS** (ABS) VERSION MACHINE SCREWS M3-0.5 x 10mm.
REPLACEMENT PN 1591MS100 (100 / BAG). (STYRENE) VERSION SELF TAPPING #4 x 0.5".
REPLACEMENT PN 1591TS100 (100 / BAG).
- COLORS** (ABS) BLACK, & GRAY, (STYRENE) GRAY ONLY.



ASSEMBLED

UNLESS OTHERWISE SPECIFIED
DIMENSIONS ARE IN INCHES.
X +/- .1
XX +/- .02
XXX +/- .015
CHITS +/- .005
ANGLES +/- .5 DEG

NOTICE
HAMMOND CLAIMS PROPRIETARY RIGHTS TO THE MATERIAL ON THIS DRAWING. IT IS INTENDED TO BE USED AS A REFERENCE FOR ENGINEERING INFORMATION ONLY. THIS INFORMATION MAY NOT BE USED TO MANUFACTURE PRODUCTS WITHOUT WRITTEN PERMISSION FROM HAMMOND MANUFACTURING.

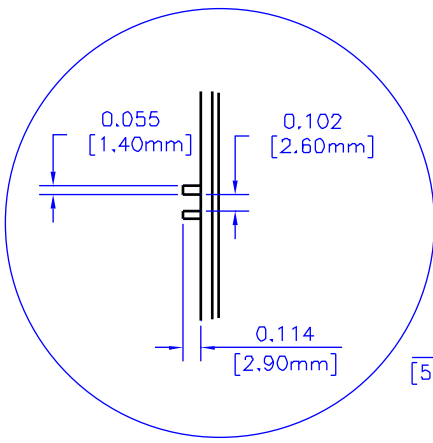
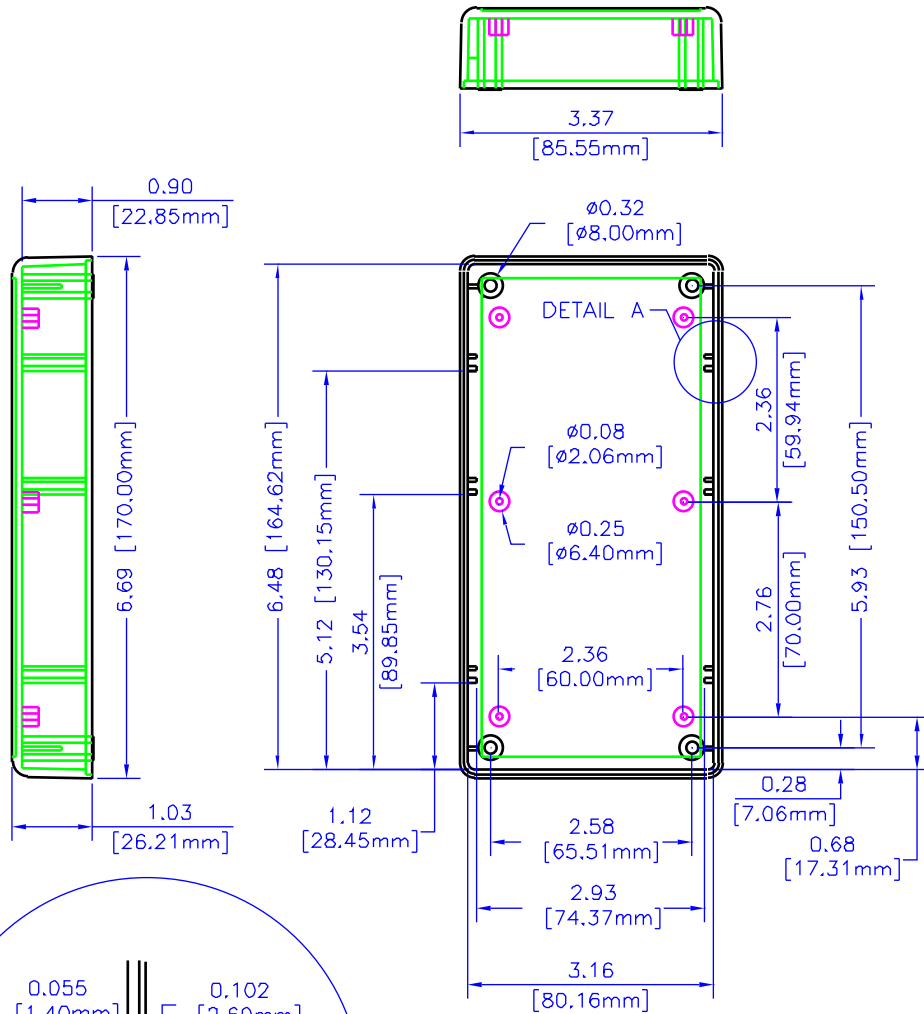


**HAMMOND
MANUFACTURING**

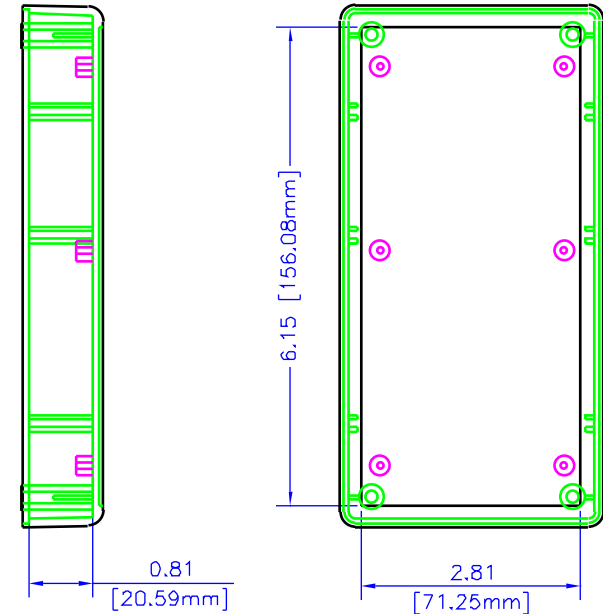
WEB: WWW.HAMMONDMFG.COM

TITLE HAMMOND 1599 SERIES PLASTIC ENCLOSURE	
DRAWN BY MJM	DATE 08/16/01
SCALE	PAGE 1 OF 3
PART NUMBER 1599E	

NOTES



DETAIL A



BOX

UNLESS OTHERWISE SPECIFIED
DIMENSIONS ARE IN INCHES
X +/- .1
XX +/- .03
XXX +/- .015
CLIPS +/- .005
ANGLES +/- 5 DEG

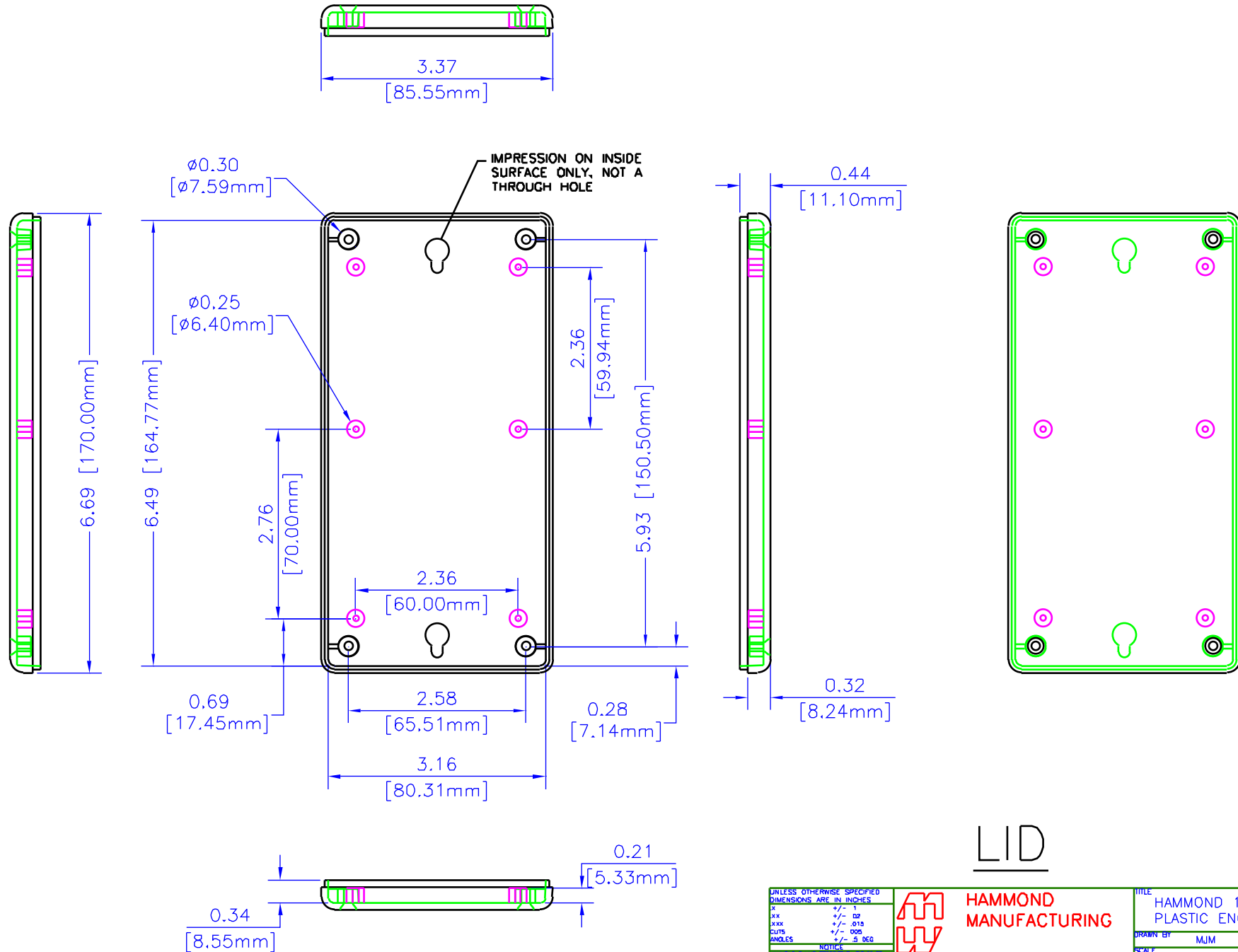


**HAMMOND
MANUFACTURING**

WEB: WWW.HAMMONDMFG.COM

TITLE		HAMMOND 1599 SERIES PLASTIC ENCLOSURE	
DRAWN BY	MJM	DATE	08/16/01
SCALE		PAGE	2 OF 3
PART NUMBER		1599E	

NOTES



LID

UNLESS OTHERWISE SPECIFIED
DIMENSIONS ARE IN INCHES
X +/- .1
XX +/- .05
XXX +/- .015
CUTS +/- .005
ANGLES +/- .5 DEG



**HAMMOND
MANUFACTURING**

WEB: WWW.HAMMONDMFG.COM

TITLE		HAMMOND 1599 SERIES PLASTIC ENCLOSURE	
DRAWN BY	MJM	DATE	08/16/01
SCALE		PAGE	3 OF 3
PART NUMBER	1599E		