
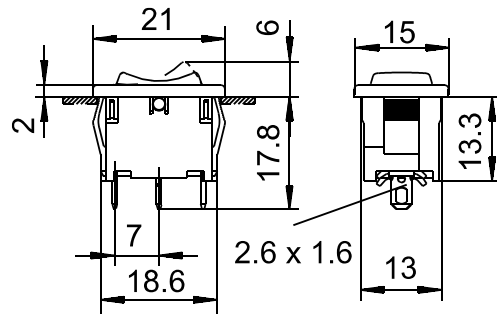


PRODUCT NUMBER 1808.6302



|                                       |  |         |
|---------------------------------------|--|---------|
| <b>Product number</b>                 | <b>1808.6302</b>   |         |
| Actuator color / printing             |  |         |
| Product family                        | Rocker switches  |         |
| Actuation type                        | direct   |         |
| Weight                                | 4.000 g  |         |
| ROHS conform                          | yes  |         |
| Switching function                    | Changeover switch with OFF position in the center (SPDT - Center OFF)              |         |
| Material fixed contact                | Cu silver-plated   |         |
| Number of poles                       | 1 - pole   |         |
| connections                           | Solder terminal  |         |
| Mechanical life endurance             | 5E4  |         |
| Rating IEC                            | 6 (2) A 250 V AC 1E4   |         |
| Rating North America                  | 6 A 125 - 250 V AC 1/8 HP  |         |
| Contact resistance (new condition)    | < 100 (1 A 12 V DC) mOhm   |         |
| Insulation resistance (new condition) | > 100 (500 V DC) MOhm  |         |
| Voltage strength at 250 V             | function insulation / basic insulation   | 1 500 V |
|                                       | reinforced insulation  | 3 000 V |
|                                       | small contact distance   | 500 V   |

|   |   |
|---|---|
| Proof tracking                              | 250 PTI   |
| Insulation spacing                          | acc. to EN 61058 for reinforced or double insulation                  |
| Protection type                             | Connection IP 40<br>Actuator IP 40                                    |
| Ambient temperature                         | -20 °C ... +100 °C  |
| Ambient temperature                         | -20 °C ... +55 °C   |
| Storage temperature                         | -40 °C ... +80 °C   |
| Flammability                                | UL 94 V-2   |
| Glow wire test temperature                  | 850 °C  |
| Actuators and additional actuators          | rocker: PA, black   |
| Housing description                         | housing: PA, black  |
| Connection surface                          | bearing connection silver plated<br>external connection silver plated |
| Contact material                            | Ag  |
| Contact distance                            | < 3 mm  |
| Rating Code UL                              | R 58  |
| Contact type                                | lifting contact   |
| Plug force of the terminals                 | ≤ 80 N  |
| Approval marks                              | CSA / UL / ENEC 05  |
| Suitable for appliances of protection class | II  |
| Miscellaneous                               | momentary function both sides   |
| Additional labeling                         | site, year, week of manuf. acc. to DIN EN 60062                       |
| Type of fastening                           | Snap fastening  |
| Degree of pollution                         | 3   |
| Stock version                               | ●   |



| X             | Y         | Z         |
|---------------|-----------|-----------|
| 0.75 ... 1.25 | 19.2 -0.1 | 12.9 +0.1 |
| 1.25 ... 2    | 19.4 -0.1 | 12.9 +0.1 |
| 2 ... 3       | 19.8 -0.1 | 12.9 +0.1 |

X = wall thickness

Technical changes reserved. Dimensions are not binding.

Detailed specifications available on request.

Marquardt GmbH · Schloss-Straße 16 · 78604 Rietheim-Weilheim · Germany  
 Phone: +49 (0) 7424 / 99-0 · Fax: +49 (0) 7424 / 99-2399 · [www.marquardt.com](http://www.marquardt.com) · [marquardt@marquardt.de](mailto:marquardt@marquardt.de)