

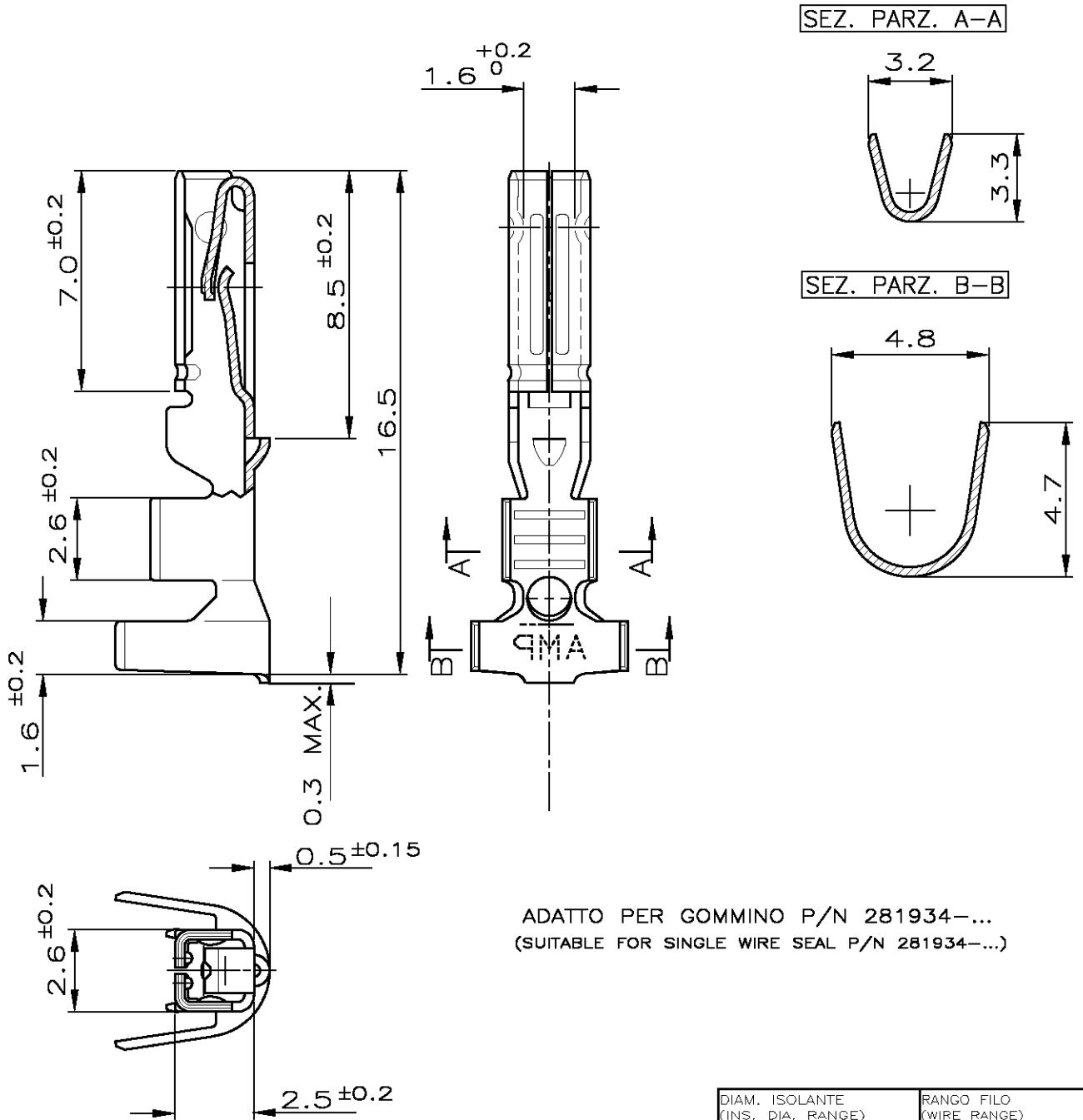
METRIC

LOC	DIST	REVISIONS					
I	—	P	LTR	DESCRIPTION	DATE	DWN	APVD
		C4		REVISED PER ECR-13-003131	20MAY2013	M.G.	M.G.

RELEASED FOR PUBLICATION

ALL RIGHTS RESERVED.

THIS DRAWING IS UNPUBLISHED. © COPYRIGHT — By —



ADATTO PER GOMMINO P/N 281934-...
(SUITABLE FOR SINGLE WIRE SEAL P/N 281934-...)

DIAM. ISOLANTE (INS. DIA. RANGE)	RANGO FILO (WIRE RANGE)
VED. NOTA	0.75-1.5mm ²

CUSTOMER DWG. FOR REFERENCE ONLY	PRE-STAGNATO (PRE-TINNED)	BRONZO FOSFOROSO (PH.BRONZE)	(RICAVATO DA 282110-1) (MADE FROM 282110-1)
	FINITURA / COLORE (FINISH / COLOUR)	MATERIALE (MATERIAL)	NUMERO (PART NUMBER)
DISEGNO PER CLIENTE SOLO PER RIFERIMENTO			183025-1

DIMENSIONS: mm	DWN Bassano 9 NOV.90	MATERIAL	FINISH
TOLERANCES UNLESS OTHERWISE SPECIFIED:	CHK Bertini 9 NOV.90		
0 PLC ± -	APVD -		
1 PLC ± 0.3	PRODUCT SPEC	NAME (LOOSE PIECE VERSION)	
2 PLC ± -	APPLICATION SPEC	MINI MIC SRS REC. CONTACT	
3 PLC ± -	WEIGHT	SIZE	RESTRICTED TO
4 PLC ± -		A4 00779	
ANGLES ± 2°		DRAWING NO	
		C-183025	
	CUSTOMER DRAWING	SCALE	REV
		5:1	C4
		SHEET	
		1 OF 1	