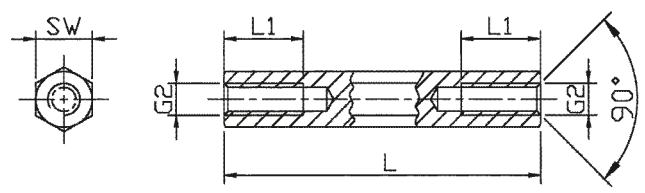


Support Post (Metric)

Spacer Bolts DII

[Polyamide, metric thread]



Thread lengths [mm]

Thread G2	L (mm)	L1 (mm)
M2/M2.5	to 14	Dead-end thread
	15-20	half length
	from 21	10
M3	to 15	Dead-end thread
	16-20	half length
	from 21	10
M4/M5/M6	to 20	Dead-end thread
	from 21	10



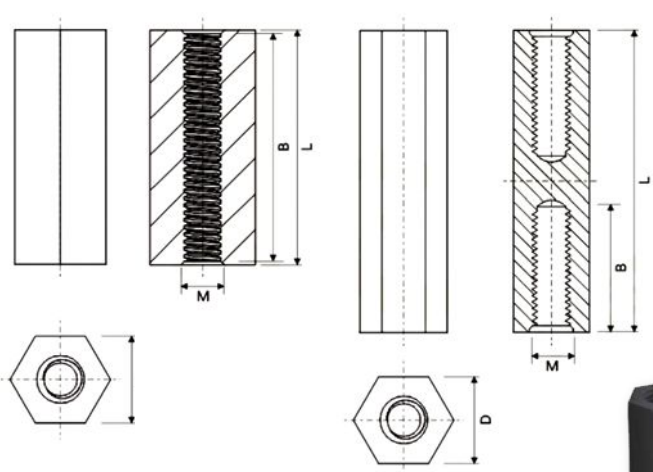
- Spacer bolts**
- Type** hexagonal
- Styles** internal / internal
- Material** Polyamide 6.0 GV / DMS 825
- Colour** black
- Standard Pack** from 100 pcs

Contact resistance DIN 53 482: >10¹² Ohm/cm Dielectric strength DIN 54 481: 40 kV/mm Tolerance for length dimensions: +/- 0,1 mm

Order No.	SW (hexagonal)	Thread	Standard lengths in mm-increments
181 x (length)	SW 5	M2	from 5 mm to 45 mm
182 x	SW 5	M2,5	from 4 mm to 55 mm
185 x	SW 6	M3	from 5 mm to 65 mm
187 x	SW 8	M4	from 5 mm to 68 mm
188 x	SW 10	M5	from 5 mm to 65 mm
189 x	SW 10	M6	from 4 mm to 65 mm

SW: width across flats
GV: Glass fibre reinforced

[Polyamide, metric thread]



"B" unilateral = 10 mm
"L" < 20 mm = Perforation
"L" > 20 mm = Blind hole



- Spacer bolts**
- Type** thread / thread
- Styles** internal / internal
- Material** Nylon 6 glass filled HB / DMS 817
- Colour** black / natural
- Unit** mm
- Standard Pack** 1.000 pcs

Standard Lengths "L" in 1 mm increments available

Order No.	Colour	"B"	"D"	"L"	"M"	
8G512M2x5.0	B	N	5.0	5.0	M2	
8G512M2x10.0	B	N	10.0	5.0	M2	
8G512M2x13.0	B	N	13.0	5.0	M2	
8G512M2.5x20.0	B	N	20.0	5.0	M2.5	
8G512M3x10.0	B	N	10.0	6.0	M3	
8G512M3x24.0	B	N	10.0	6.0	24.0	M3
8G512M4x16.0	B	N	16.0	8.0	16.0	M4
8G512M4x20.0	B	N	20.0	8.0	20.0	M4

Ordering example: 8G512M2x5.0B for black
8G512M2x5.0N for natural