

31

2,5 MSF

Minimodul™ connectors, pitch 2.5 mm



Minimodul™ pin header, upright, with locking latch, solder contacts single row

---

State: Active

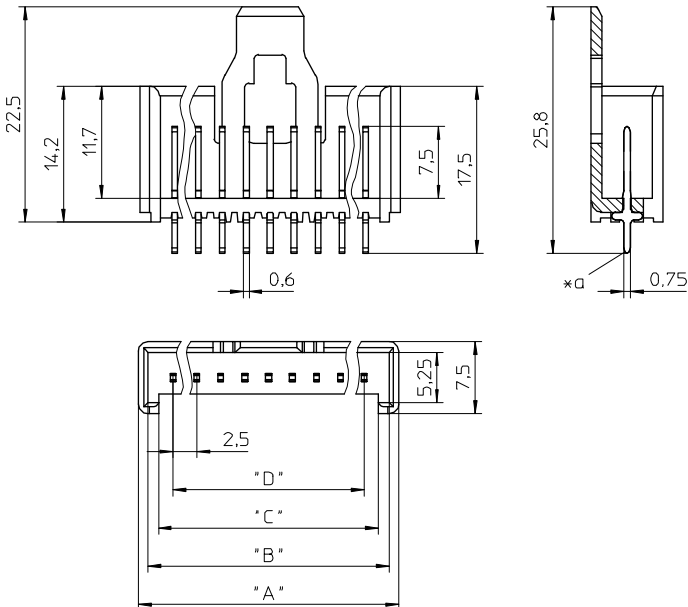
---

Approvals:



31

2,5 MSF



- \*a for bore hole in printed circuit board  $\varnothing$  1 mm
- \*b 2 pole connection with crimp connector 3114/3111 only with special version 2,5 MSF 02 (3114)

#### Environmental conditions

Temperature range -40 °C/+120 °C<sup>1</sup>

<sup>1</sup> upper limit temperature (insulating body) RTI (electrical) of the UL Yellow Card

#### Materials

Insulating body PA GF, V-0 according to UL94<sup>1</sup>


Contact pin CuZn, pre-nickel and tin-plated

<sup>1</sup> component glow wire resistant (GWT 750 °C), testing acc. to IEC 60695-2-11, assessment acc. to IEC 60335-1 (flame < 2 s)

#### Electrical data (at T<sub>amb</sub> 20 °C)

Rated current	5 A (T <sub>v</sub> 60 °C)
Rated voltage	160 V AC
Material group	IIIa (IEC)/2 (UL) (CTI $\geq$ 250)
Creepage distance	1,9 mm
Clearance	1,9 mm
Insulation resistance	> 1 G $\Omega$

#### Associated products

Counterparts  
 2,54 MKB       2,54 MKBL       3114  
 4143 01

Designation	Pole Number	PU (Pieces)	MDQ (Pieces)	Dimensions			
				A (mm)	B (mm)	C (mm)	D (mm)
2,5 MSF 02 (3114)	2	250	2000	7.9	5.9	4.3	2.5 *b
2,5 MSF 02	2	250	2000	9.7	7.7	5.5	2.5
2,5 MSF 03	3	250	2000	12.2	10.2	8.0	5.0
2,5 MSF 04	4	250	2000	14.7	12.7	10.5	7.5
2,5 MSF 05	5	250	2000	17.2	15.2	13.0	10.0
2,5 MSF 06	6	250	2000	19.7	17.7	15.5	12.5
2,5 MSF 07	7	250	2000	22.2	20.2	18.0	15.0
2,5 MSF 08	8	250	2000	24.7	22.7	20.5	17.5
2,5 MSF 09	9	250	2000	27.2	25.2	23.0	20.0
2,5 MSF 10	10	250	2000	29.7	27.7	25.5	22.5
2,5 MSF 11	11	250	2000	32.2	30.2	28.0	25.0
2,5 MSF 12	12	250	2000	34.7	32.7	30.5	27.5
2,5 MSF 13	13	250	2000	37.2	35.2	33.0	30.0
2,5 MSF 14	14	250	2000	39.7	37.7	35.5	32.5
2,5 MSF 15	15	250	2000	42.2	40.2	38.0	35.0
2,5 MSF 16	16	250	2000	44.7	42.7	40.5	37.5
2,5 MSF 17	17	250	2000	47.2	45.2	43.0	40.0
2,5 MSF 18	18	250	2000	49.7	47.7	45.5	42.5
2,5 MSF 19	19	200	2000	52.2	50.2	48.0	45.0
2,5 MSF 20	20	200	2000	54.7	52.7	50.5	47.5

**Packaging:**

in bulk, in a cardboard box