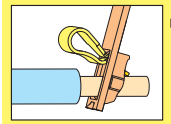


TOPJOB® Rail-Mounted Terminal Blocks 6 (10) mm²/AWG 8 Series 2006

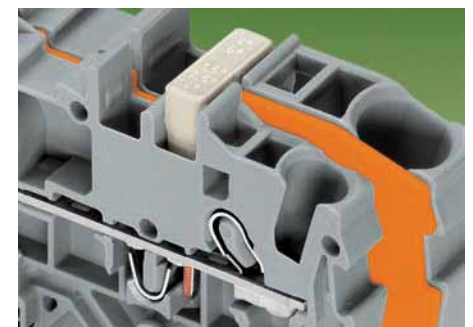
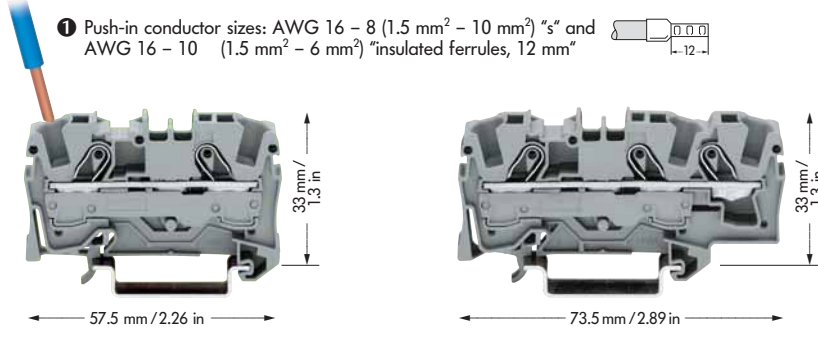


1
9

0.5 – 6 (10) mm² ① 800 V/8 kV/3 41 A Terminal block width 7.5 mm / 0.295 in 13 – 15 mm / 0.55 in * CCA LR	AWG 20 – 8 600 V, 50 A 600 V, 50 A	0.5 – 6 (10) mm² ① 800 V/8 kV/3 41 A Terminal block width 7.5 mm / 0.295 in 13 – 15 mm / 0.55 in * CCA LR	AWG 20 – 8 600 V, 50 A 600 V, 50 A
---	---	---	---

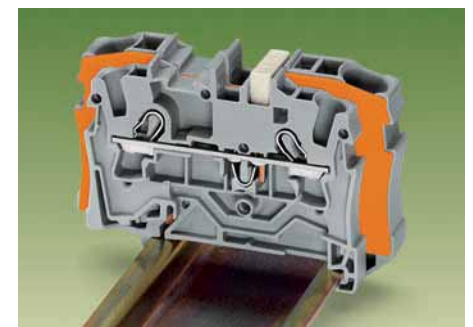
Commoning with step-down jumpers

Note:
The total current flowing must not exceed the rating of the step-down jumper/push-in type jumper bar.



Item No.	Pack.-unit pcs	Item No.	Pack.-unit pcs	Item No.	Pack.-unit pcs
2-conductor through terminal blocks		3-conductor through terminal blocks		Commoning with step-down jumpers	
grey 2006-1201	50	grey 2006-1301	25	An end plate must be applied between the two terminal blocks.	
blue 2006-1204	50	blue 2006-1304	25	Step-down jumper 2006-499 can be used for commoning AWG 12/10 (4/6 mm ²) terminal blocks with AWG 12/14/16 (4/2.5/1.5 mm ²) terminal blocks.	
orange 2006-1202	50	orange 2006-1302	25	Step-down jumpers are simply pushed down to full insertion, in the same way as all other push-in type jumper bars.	
2-conductor ground (earth) terminal block		3-conductor ground (earth) terminal block			
green-yellow 2006-1207	50	green-yellow 2006-1307	25		
⊗ Ex e II applications are being prepared		⊗ Ex e II applications are being prepared			
② Suitable for Ex i applications		② Suitable for Ex i applications			

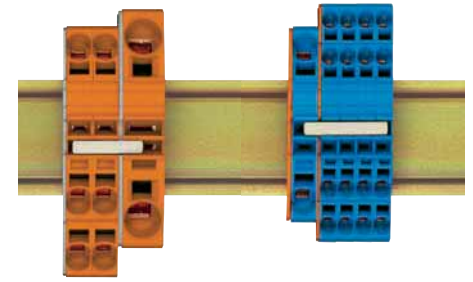
Accessories		appropriate marker system WMB/Miniature WSB/Marker strips (see section 14)	
End and intermediate plate , 1 mm / 0.039 in thick		End and intermediate plate , 1 mm / 0.039 in thick	
orange 2006-1292 100 (4 x 25)	grey 2006-1291 100 (4 x 25)	orange 2006-1392 100 (4 x 25)	grey 2006-1391 100 (4 x 25)
Push-in type jumper bars , light grey, insulated, I _N 41 A		Push-in type jumper bars , light grey, insulated, I _N 41 A	
2-way 2006-402 50 (2 x 25)	3-way 2006-403 50 (2 x 25)	2-way 2006-402 50 (2 x 25)	3-way 2006-403 50 (2 x 25)
4-way 2006-404 50 (2 x 25)	5-way 2006-405 50 (2 x 25)	4-way 2006-404 50 (2 x 25)	5-way 2006-405 50 (2 x 25)
Push-in type jumper bars , light grey, insulated, I _N 41 A		Push-in type jumper bars , light grey, insulated, I _N 41 A	
1 - 3 2006-433 50 (2 x 25)	1 - 4 2006-434 50 (2 x 25)	1 - 3 2006-433 50 (2 x 25)	1 - 4 2006-434 50 (2 x 25)
1 - 5 2006-435 50 (2 x 25)		1 - 5 2006-435 50 (2 x 25)	
Protective warning marker , for 5 terminal blocks		Protective warning marker , for 5 terminal blocks	
yellow 2006-115 100 (4 x 25)		yellow 2006-115 100 (4 x 25)	
Test plug adapter , for test plug 4 mm / 0.157 in Ø		Test plug adapter , for test plug 4 mm / 0.157 in Ø	
2009-174 100 (4 x 25)		2009-174 100 (4 x 25)	
Testing tap , for max. 2.5 mm ²		Testing tap , for max. 2.5 mm ²	
2009-182 100 (4 x 25)		2009-182 100 (4 x 25)	
Marker strip , white, plain		Marker strip , white, plain	
for center marking		for center marking	
11 mm / 0.433 in wide		11 mm / 0.433 in wide	
50 m 2009-110 1		50 m 2009-110 1	
on roll 300 m 2009-130 1		on roll 300 m 2009-130 1	



Commoning with push-in type jumper bars

Commoning over the open side of the terminal block with end plate allows jumpering over one cross section size for 6 mm², 4 mm² and 2.5 mm².

Commoning over the closed side of the terminal block with end plate allows jumpering over two cross section sizes: e.g. from 6 mm² to 2.5 mm² (see blue terminal blocks).



* For further approvals with corresponding ratings see section 15.