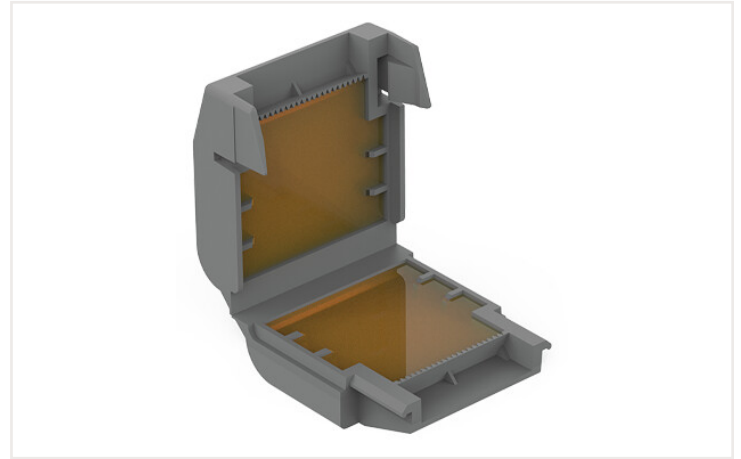


Data sheet | Item number: 207-1431

Gelbox; for cables; Branch; with gel; 221 Series; max. 6 mm² connectors; without splicing connectors; Size 1; gray

<https://www.wago.com/207-1431>



Note on Packaging Unit (PU) and Subpackaging Unit (SPU):

If you order a full PU, you will receive our eco-friendly, sustainable cardboard blisters packed in a shelf-ready box.

If you order a quantity smaller than a full PU, you will receive the eco-friendly, sustainable cardboard blisters without a shelf-ready box.

Please refer to the system description for the splicing connectors that can be used.

Your benefits:

- Easy, fast and safe to use
- Can be used immediately and accessed again later
- Silicon-free
- Label-free
- Suitable for indefinite storage
- The complete system consisting of WAGO's gelboxes and splicing connectors has been VDE-tested and IPX8-certified.

Connection data

Connection 1

Actuation type	Locking system
----------------	----------------

Physical data

Width	40.1 mm / 1.579 inches
Height	21.3 mm / 0.839 inches
Depth	38 mm / 1.496 inches

Mechanical data

Mounting type	Flying leads
---------------	--------------

Material data

Note (material data)	Information on material data can be found here
Color	gray
Housing material	Polypropylene
Fire load	0 MJ
Weight	27.8 g

Environmental requirements

Ambient temperature (operation)	-55 ... +85 °C
Surrounding air temperature (storage)	0 ... +40 °C

Commercial data

ETIM 8.0	EC001170
ETIM 7.0	EC001170
PU (SPU)	48 (4) Pieces
Country of origin VKOrg Germany	IT
GTIN	4055144097368
Customs tariff number VKOrg Germany	85389099990

Approvals and certificates

Country specific Approvals



Approval	Standard	Certificate name
VDE VDE Prüf- und Zertifizierungsinstitut	EN 60669	400051938

Downloads

Environmental Product Compliance

Compliance Search

Environmental Product Compliance 207-1431	↓
---	-------------------

Documentation

System Description

System Description 207 Series Gel boxes	pdf 1156.45 KB	↓
System Description 207 Series Gel boxes	pdf 1191.37 KB	↓

Additional Information

Technical Section	pdf 2142.18 KB	↓
-------------------	-------------------	-------------------

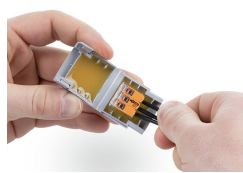
Bid Text		
207-1431	xml 3.58 KB	↓
207-1431	docx 20.40 KB	↓

Installation notes

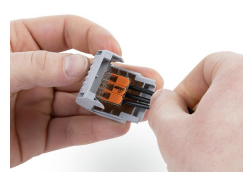
Installation



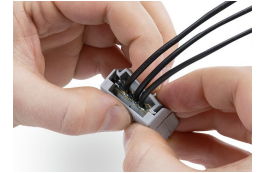
Place the wired connector in the Gelbox.



Place the wired connector in the Gelbox.



Close the Gelbox.



Close latch securely.



Re-accessible:
Open the Gelbox. Remove the gel. Rewire with new components.

Counter display



Lift the flap and pull the cover perforation forward.



Press in the perforation on the sides.



Tear off the cover from the perforation.



As a counter display: Bend the rear flap at the fold, straighten it and fix it in the cardboard cut-out



If the flap is not required, tear off from the perforation.