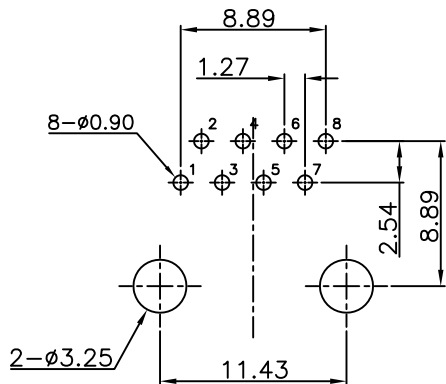
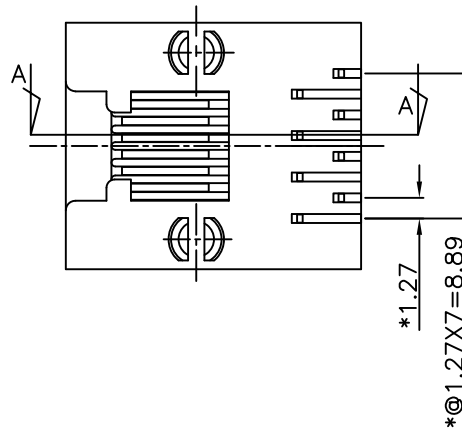


SECTION A-A



PC BOARD LAYOUT  
COMPONENT SIDE SHOWN



**ELECTRICAL:**

- 1. VOLTAGE RATING : 125 VAC RMS.
- 2. CURRENT RATING : 1.5 AMP.
- 3. CONTACT RESISTANCE : 35 MILLIOHMS MAX.
- 4. INSULATION RESISTANCE : 1000 MEGOHMS MIN. @ 500 VDC.
- 5. DIELECTRIC STRENGTH : 1000 VAC RMS 60Hz, 1MIN.

**MECHANICAL:**

- 1. HOUSING MATERIAL : GLASS FILLED POLYESTER OR HIGH TEMP. UL94V-0.
- 2. CONTACT MATERIAL : PHOSPHOR BRONZE t=0.35mm.
- 3. PLATING : GOLD PLATING OVER NICKEL.
- 4. OPERATING LIFE : 750 CYCLES MIN.
- 5. PCB RETENTION PRE-SOLDER : 1 LB MIN.
- 6. PCB RETENTION POST-SOLDER : 10 LBS MIN.

**ENVIRONMENTAL:**

- 1. STORAGE : -40°C TO +85°C.
- 2. OPERATION : -0°C TO 70°C.

MATES WITH MODULAR PLUG CONFORMING TO FCC PART 68, SUBPART F.

210B-88 X B 0-R  
1 2 3 4

1.No. of Contact  
88:8P8C

2.Contact Plating  
A:Gold Flash  
C:5u" Gold Plating

3.Latch  
B: Bottom Latch

4.RoHS

UNLESS OTHERWISE SPECIFIED TOLERANCE		
ANGLES	ANG.	±5°
LINEAR	0.	±0.3
	0.0	±0.25
	0.00	±0.20
SCALE	AS SHOWN	UNIT: mm
DRAWN	Willis	2012/08/03
CHECKED	Angel	2012/08/03
APPROVED	Ken	2012/08/03
SIZE	A4	REV. 1.0



www.attend.com.tw

DRAWN NAME:  
RJ45 Plastic Jack Single Port Type

PRODUCT NO. 210B-88 X B0-R

FILE NAME 210B-88XB0-R\_B\_2

REV.	DESCRIPTION	DATE	REV.	DESCRIPTION	DATE
1			4		
2			5		
3			6		
			7		

- A Revise:
- A Revise:
- A Revise: