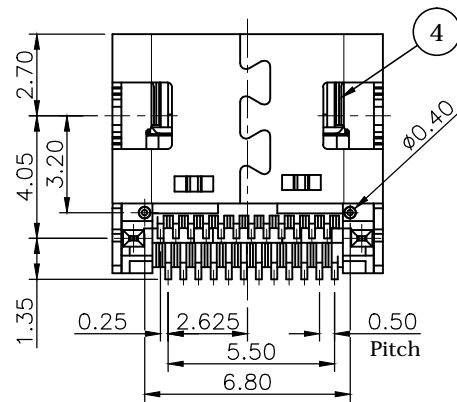
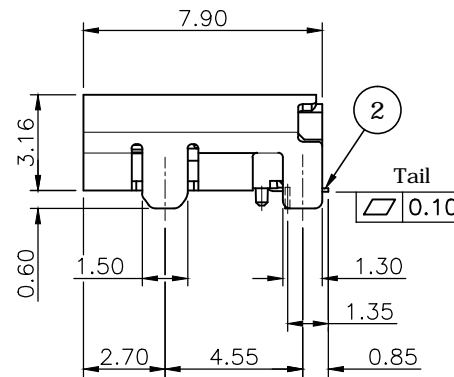
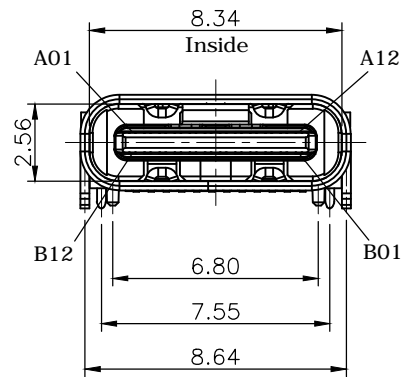
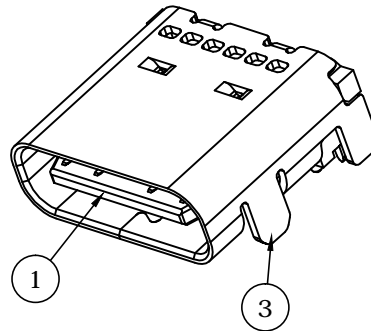
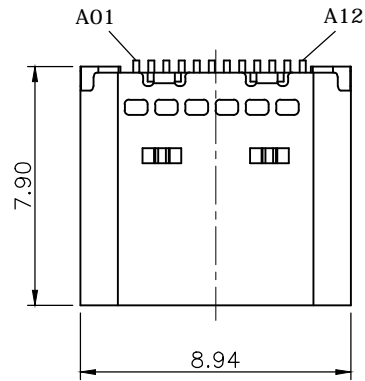


REV.	DESCRIPTION	DRAWN	DATE
1	INITIAL RELEASE	TIM	2018/09/10



SPECIFICATION:

1. ELECTRICAL

- 1.1 Current Rating: 5A for Vbus;
1.25A for Vconn & GND;
0.25A for other pin
- 1.2 Voltage Rating: 5VAC max
- 1.3 Contact Resistance: 40mΩ
- 1.4 Insulation Resistance: 100MΩ
- 1.5 Dielectric Withstanding Voltage: 100VAC

2. MECHANICAL

- 2.1 Durability: 10,000 cycles
- 2.2 Insertion Force: 5 to 20N
- 2.3 Extraction Force: 8 to 20N

3. ENVIRONMENTAL

- 3.1 Operating temperature range: -55°C~+85°C
- 3.2 Storage temperature range: -55°C~+85°C

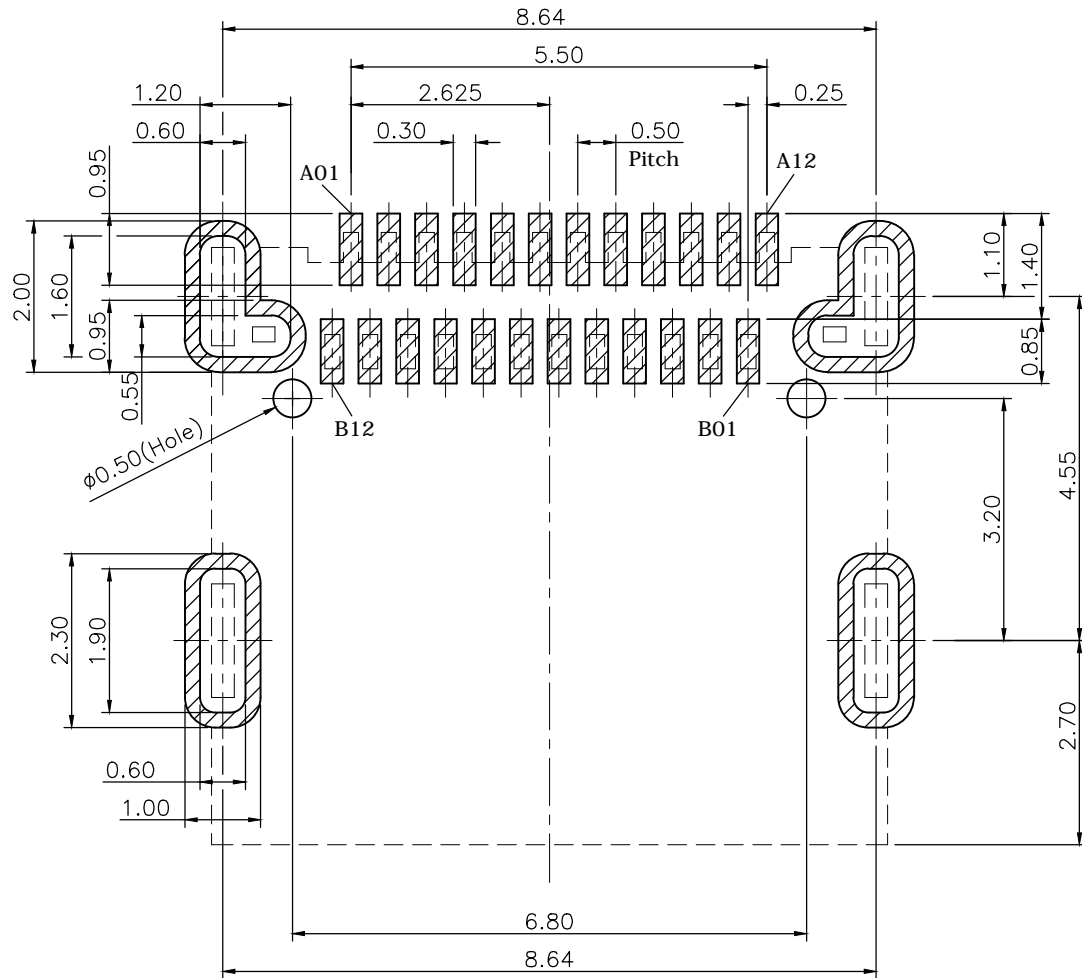
- 4. Can transfer data at up to 10 Gbit/s

4	SHIELD	Stainless Steel, T=0.15mm
3	SHELL	SUS304, T=0.30mm, 100u" Nickel
2	CONTACT	Copper Alloy, 5u" Gold plating on contact area Tin plating on solder tail, under plated Nickel
1	HOUSING	LCP, UL94V-0, Black

NO.	PART NAME	DESCRIPTION					
UNLESS OTHERWISE SPECIFIED TOLERANCE							
UNIT:	DECIMAL	LINEAR	ANGLES				
mm	X.	±0.50	±5°				
	X.X	±0.25	±3°				
	X.XX	±0.12	±1°				
WWW.ATTEND.COM.TW							
DRAWN	Tim	2018/09/10	DRAWN NAME:				
CHECKED	Fros	2018/09/10	USB Type C Receptacle Dual Row SMT Type, 5u"				
APPROVED	Ken	2018/09/10	PRODUCT NO. 217B-BC02				
SCALE	4/1	SHEET	1/2	SIZE	A4	FILE NAME	217B-BC02_B_1



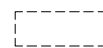
REV.	DESCRIPTION	DRAWN	DATE
	see sheet one		



RECOMMENDED LAYOUT (TOP VIEW)
GENERAL TOLERANCE: ±0.05mm



PAD



Connector

PIN ASSIGNMENTS:

PIN NUMBER	SIGNAL NAME	PIN NUMBER	SIGNAL NAME
A1	GND	B12	GND
A2	SSTXp1	B11	SSRXp1
A3	SSTXn1	B10	SSRXn1
A4	VBUS	B9	VBUS
A5	CC1	B8	SBU2
A6	Dp1	B7	Dn2
A7	Dn1	B6	Dp2
A8	SBU1	B5	CC2
A9	VBUS	B4	VBUS
A10	SSRXn2	B3	SSTXn2
A11	SSRXp2	B2	SSTXp2
A12	GND	B1	GND

UNLESS OTHERWISE SPECIFIED TOLERANCE

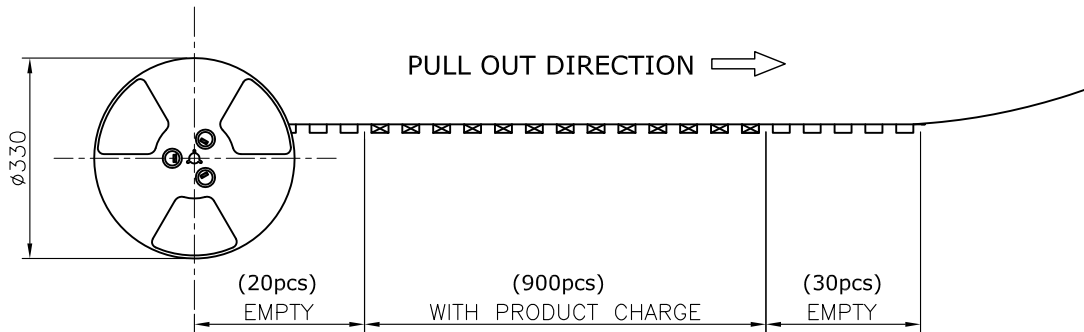
UNIT:	DECIMAL	LINEAR	ANGLES
mm	X.	±0.50	±5°
	X.X	±0.25	±3°
	X.XX	±0.12	±1°



WWW.ATTEND.COM.TW

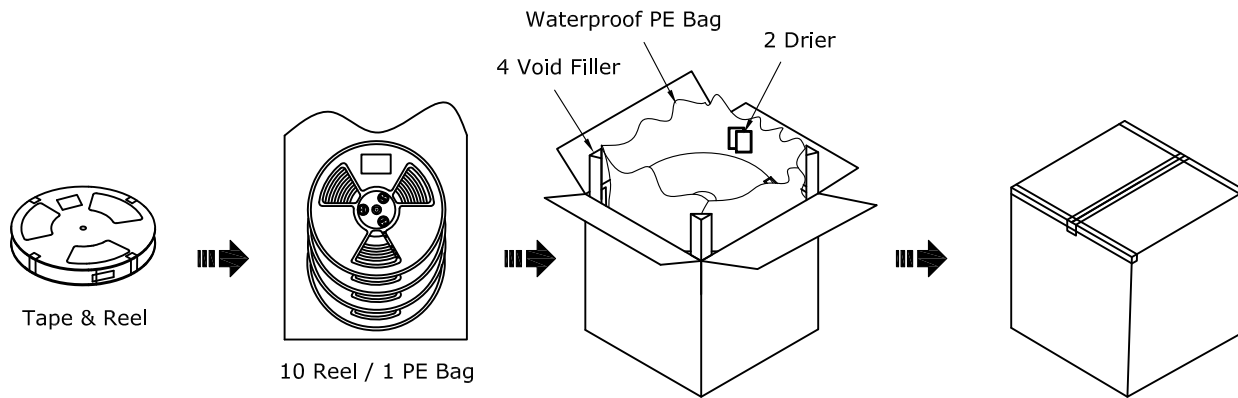
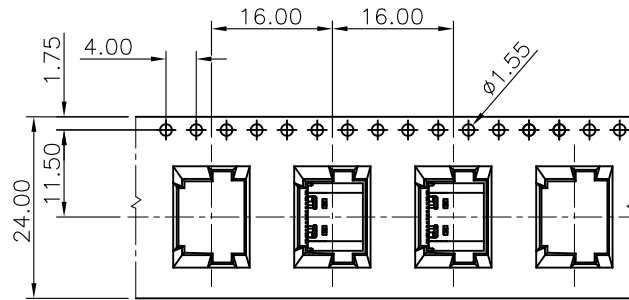
DRAWN	Tim	2018/09/10	DRAWN NAME:
CHECKED	Fros	2018/09/10	USB Type C Receptacle Dual Row SMT Type,5u"
APPROVED	Ken	2018/09/10	PRODUCT NO. 217B-BC02
SCALE	10/1	SHEET 2/2	SIZE A4
FILE NAME		217B-BC02_B_1	

REV.	DESCRIPTION	DRAWN	DATE
1	INITIAL RELEASE	TIM	2018/09/10


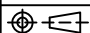


PACKAGING SPECIFICATION:

Quantity:
 900 Piece/ Reel
 10 Reel/ Carton
 9,000 Piece/ Outer Carton



Carton L*W*H=355*355*355

UNLESS OTHERWISE SPECIFIED TOLERANCE					
UNIT:	DECIMAL	LINEAR	ANGLES		
mm	X.	±0.50	±5°	WWW.ATTEND.COM.TW	
	X,X	±0.25	±3°		
	X,XX	±0.12	±1°		
DRAWN	Tim	2018/09/10	DRAWN NAME:		
CHECKED	Fros	2018/09/10	USB Type C Receptacle Packing		
APPROVED	Ken	2018/09/10	PRODUCT NO.	217B-BC02	
	SCALE NA	SHEET 1/1	SIZE A4	FILE NAME	217B-BC02_D_1