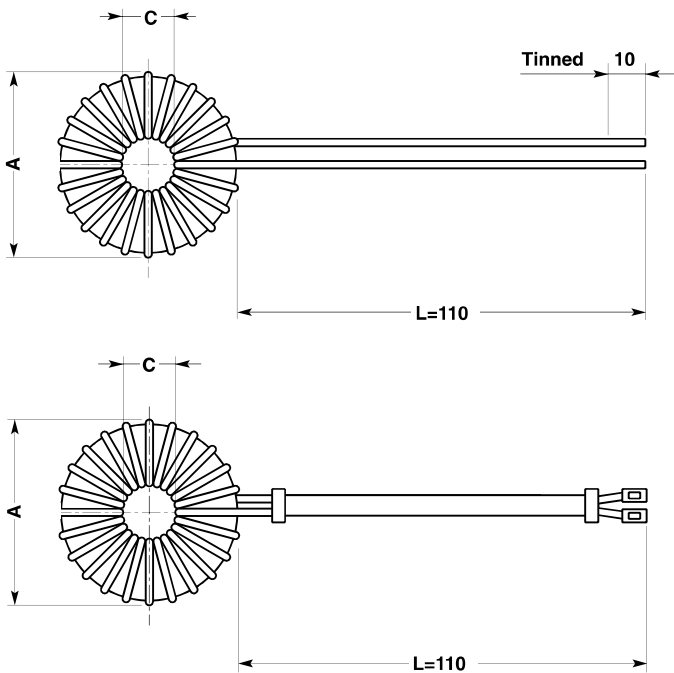




## OPEN VERSION

Current 16 to 36 A

These chokes are made with high-permeability toroid core (ferrite) and insulated copper wire. They are inserted along the protective earth line in order to eliminate the interference currents proceeding from electrical appliances.



Dimensions in mm

Standard type

**Special type:**  
plastic protective covering  
and solder terminals

## TYPES

Standard type Code	Special type Code	Rated current A	Rated inductance mH	Wire cross section mm	Dimensions - mm			Approx. weight g
					A max.	B max.	C min.	
21N22 A6 00	21N22T A6 00	16	1.2	1	22	18	5	20
21N42 B0 00	21N42T B0 00	20	2.2	1.5	44	22	14	70
21N45 B7 00	21N45T B7 00	27	1.2	2.5	46	24	11	75
21N44 C6 00	21N44T C6 00	36	1.6	4	44	20	10	75

## Technical Data

Rated current: according to EN 138100; EN 60938-1

Rated inductance: at +20°C and 10 kHz, 0.1 mA.

Inductance tolerance: +50% -30%

Climatic category: DIN GKF (-40° to +125°C; humidity class F)

The chokes are designed and tested in accordance with EN 138100; EN 60938-1