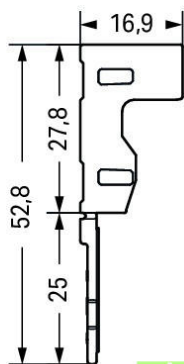
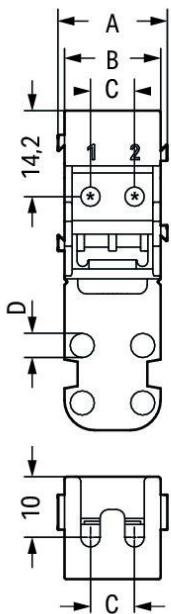
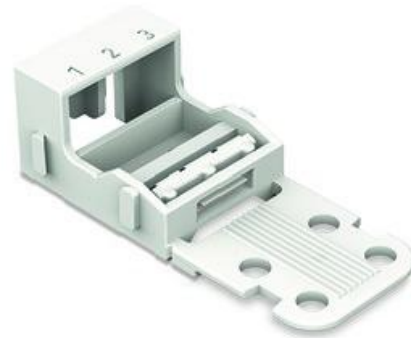
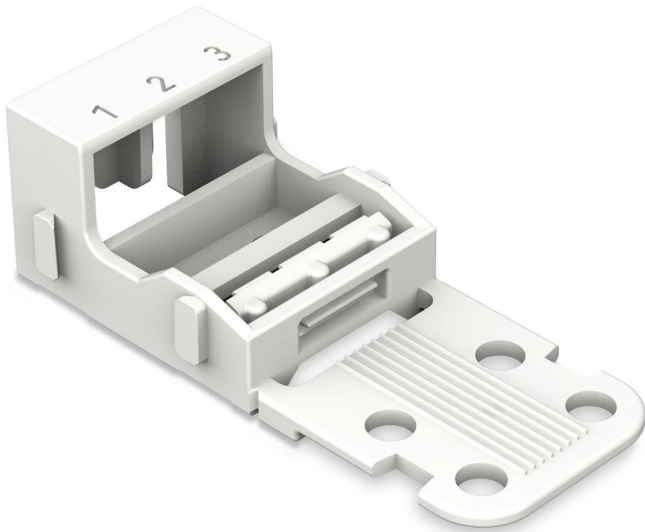


Data sheet | Item number: 221-503

Mounting carrier; for 3-conductor terminal blocks; 221 Series - 4 mm<sup>2</sup>; for screw mounting

[www.wago.com/221-503](http://www.wago.com/221-503)



\* Opening for:  
fillister head screw  
M3 DIN 1207  
Sheet metal screw  
ST2.9 DIN 7049

	2	3	5
A	18.1	23.7	35
B	15.9	21.5	32.8
C	7.3	10	20
D	4	4	5

## Data

### Geometrical Data

Width	23.7 mm / 0.933 inch
Height from the surface	16.9 mm / 0.665 inch
Depth	52.8 mm / 2.079 inch



## Material Data

Color	white
Insulating material	Polyamide 66 (PA 66)
Flammability class per UL94	V0
Fire load	0.103 MJ
Weight	3.6 g

## Commercial data

Country of Origin	CN
GTIN	4055143640794
Customs Tariff No.	39269097900

Subject to changes.

WAGO Kontakttechnik GmbH & Co. KG  
Hansastr. 27  
32423 Minden  
Phone: +49571 887-0 | Fax: +49571 887-169  
Email: [info.de@wago.com](mailto:info.de@wago.com) | Web: [www.wago.com](http://www.wago.com)

Do you have any questions about our products?  
We are always happy to take your call at +49 (571) 887-44222.