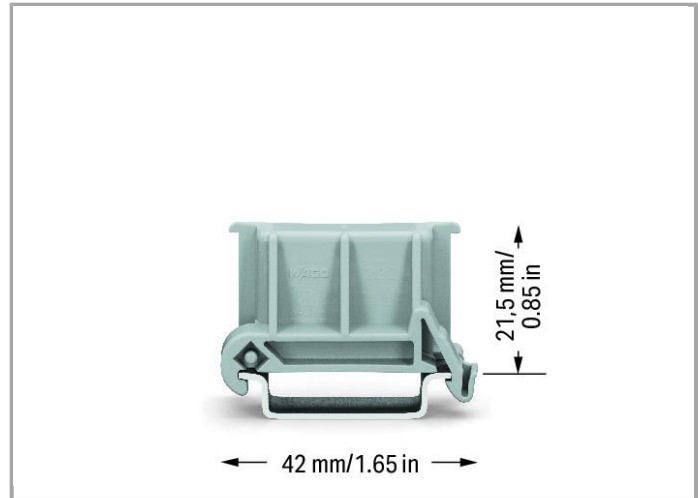


Data sheet | Item number: 222-510

Angled DIN-rail adapter; in combination with mounting carrier; 221-500 or 222-500; for DIN-35 rail mounting



www.wago.com/222-510



RoHS
Compliant ✓

[BOMcheck.net](https://www.bomcheck.net)

Color: ■

Data

Geometrical Data

Width	18.5 mm / 0.728 inch
Height from upper-edge of DIN-35 rail	21.5 mm / 0.846 inch
Depth	42 mm / 1.654 inch

Material Data



Color	gray
Fire load	0.118 MJ
Weight	3.92 g

Commercial data

Country of origin	DE
GTIN	4045454714802
Customs Tariff No.	39269097900
Product Group	7 (Push Wire Conn.)

Compatible products

Mounting adapter

	Item no.: 221-500 Mounting carrier; 221 Series - 4 mm ² ; for DIN-35 rail mounting/screw mounting	www.wago.com/221-500
	Item no.: 222-500 Mounting carrier; 222 Series; for DIN-35 rail mounting/screw mounting	www.wago.com/222-500

Downloads

Documentation

Bid Text

222-510	10.10.2017	DOC 24.1 kB	Download
---------	------------	----------------	----------

smartDATA

CAD data

3D Download 222-510	URL	Download
---------------------	-----	----------

Subject to changes.