

Modular Terminal Blocks 2.5 mm²/AWG 12, Series 256, Pin Spacings 5/5.08 mm/0.2 in, 7.5/7.62 mm/0.3 in, 10/10.16 mm/0.4 in

<p>Pin spacing 5/5.08 mm / 0.2 in 0.08 – 2.5 mm² AWG 28 – 12 250 V/4 kV/3, 16 A 300 V, 15 A 500 V/4 kV/2, 16 A 300 V, 15 A </p> <p> 5 – 6 mm / 0.22 in</p> <p>* </p>	<p>Pin spacing 7.5/7.62 mm / 0.3 in 0.08 – 2.5 mm² AWG 28 – 12 400 V/6 kV/3, 16 A 300 V, 15 A 800 V/6 kV/2, 16 A 300 V, 15 A </p> <p> 5 – 6 mm / 0.22 in</p> <p>* </p>	<p>Pin spacing 10/10.16 mm / 0.4 in 0.08 – 2.5 mm² AWG 28 – 12 500 V/6 kV/3, 16 A 300 V, 15 A 1000 V/6 kV/2, 16 A 300 V, 15 A </p> <p> 5 – 6 mm / 0.22 in</p> <p>* </p>
---------------------------------------------------------------------------------------------------------------------------------------------------------------------------------------------------------------------------------------------------------------	-----------------------------------------------------------------------------------------------------------------------------------------------------------------------------------------------------------------------------------------------------------------	------------------------------------------------------------------------------------------------------------------------------------------------------------------------------------------------------------------------------------------------------------------

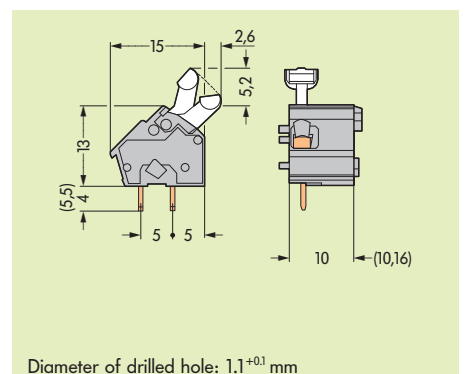
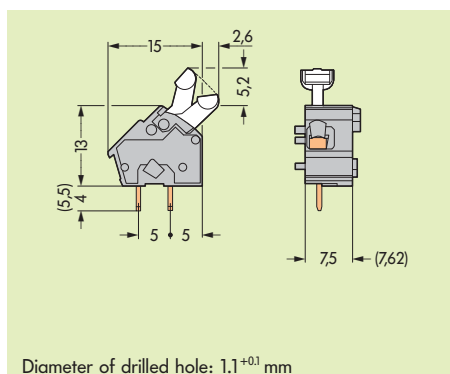
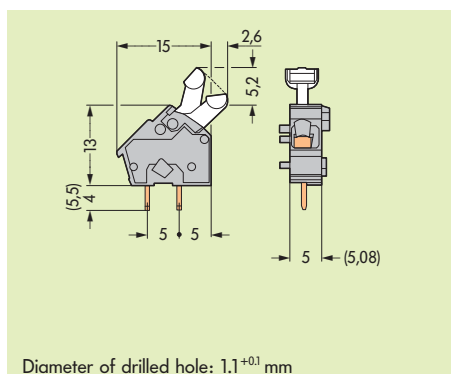


Color	Item No.	Pack.-unit pcs	Color	Item No.	Pack.-unit pcs	Color	Item No.	Pack.-unit pcs
Modular terminal blocks, 2 solder pins/pole			Modular terminal blocks, 2 solder pins/pole			Modular terminal blocks, 2 solder pins/pole		
grey	256-401	600 (6 x 100)	grey	256-501	400 (4 x 100)	grey	256-601	300 (3 x 100)
red	256-740	600 (6 x 100)	red	256-750	400 (4 x 100)	red	256-760	300 (3 x 100)
dark grey	256-742	600 (6 x 100)	dark grey	256-752	400 (4 x 100)	dark grey	256-762	300 (3 x 100)
light grey	256-743	600 (6 x 100)	light grey	256-753	400 (4 x 100)	light grey	256-763	300 (3 x 100)
blue	256-744	600 (6 x 100)	blue	256-754	400 (4 x 100)	blue	256-764	300 (3 x 100)
orange	256-746	600 (6 x 100)	orange	256-756	400 (4 x 100)	orange	256-766	300 (3 x 100)
light green	256-747	600 (6 x 100)	light green	256-757	400 (4 x 100)	light green	256-767	300 (3 x 100)
Additional item No. for modular terminal blocks with 5.5 mm / 0.217 in long solder pins .../332-000			Additional item No. for modular terminal blocks with 5.5 mm / 0.217 in long solder pins .../332-000			Additional item No. for modular terminal blocks with 5.5 mm / 0.217 in long solder pins .../332-000		
Ex e II see pages 1.22 – 1.23			Ex e II see pages 1.22 – 1.23			Ex e II see pages 1.22 – 1.23		

Accessories (marker strips see section 11)

End plates, snap-on type, 1 mm / 0.039 in thick			End plates, snap-on type, 1 mm / 0.039 in thick			End plates, snap-on type, 1 mm / 0.039 in thick		
	grey	256-100 100		grey	256-100 100		grey	256-100 100
	dark grey	256-200 100		dark grey	256-200 100		dark grey	256-200 100
	light grey	256-300 100		light grey	256-300 100		light grey	256-300 100
	blue	256-400 100		blue	256-400 100		blue	256-400 100
	red	256-500 100		red	256-500 100		red	256-500 100
	orange	256-600 100		orange	256-600 100		orange	256-600 100
	light green	256-700 100		light green	256-700 100		light green	256-700 100

Dimensions (in mm)



* Approvals with corresponding ratings see pages 12.3 ff.