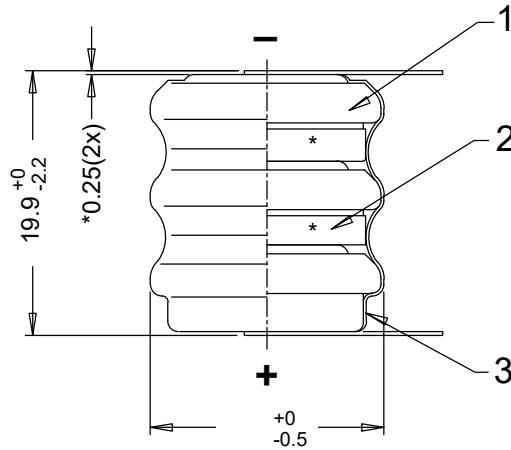
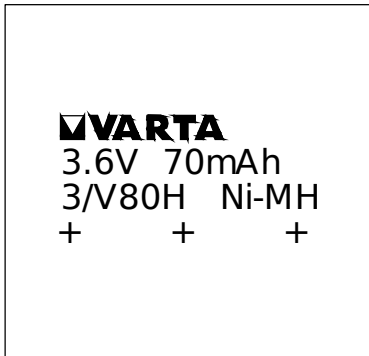
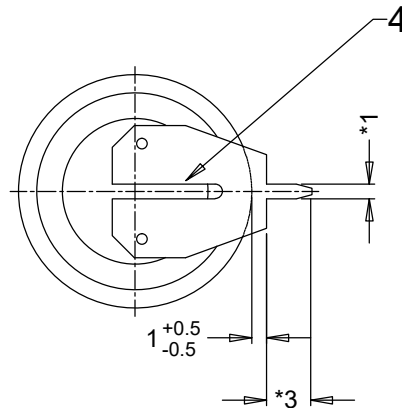
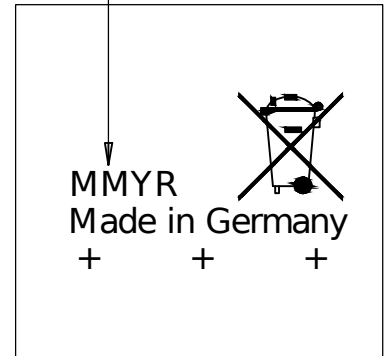


Front Artwork



Monthly code

Rear Artwork



Note: 1) Special care to be taken ie: NOT to mix the polarities.  
2) \*Dimensions for reference only.

No	AO No	Revisions	Date	Name
3	16-R279	Changed date code format from M3 (MMY) to M4 (MMYR)	2016-06-27	Ian
2	12-R077	Update Varta logo	2012-05-08	TitisWS
1	R084/08	To add in printed sleeve the crossed-out wheeled bin symbol	2008-03-28	Ratna

Projection:		Material: Refer to part list no : 071340		Description: 3/V80H battery with shrink sleeve & solder tags		
Dimensions in mm		Prepared & Checked	Verified & Approved	Dwg. No:	071340	403
Tolerance: As specified		1998-03-21	TitisWS	VKB Order No:	55608 303 098	
Scale: 2 : 1						

Rights reserved to make technical changes, as a result of further development, without notice. This drawing is the property of VARTA Microbattery and must not be copied or disclosed to a third party without the written consent of VARTA Microbattery.

