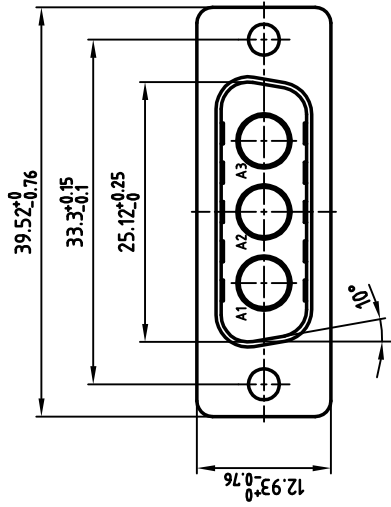
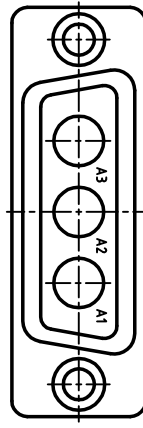
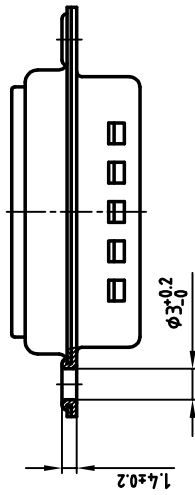
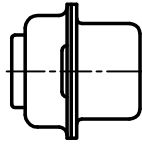
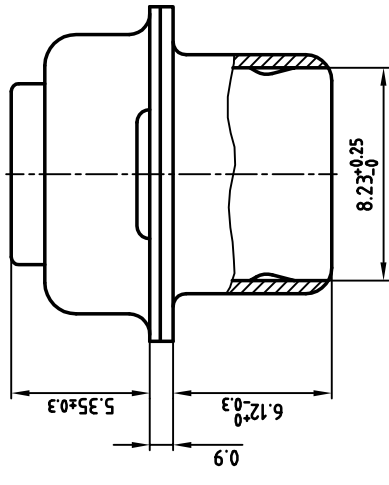


used for: D-SUB COMBINATION



5:1



Directive 2002/95/EC  
„RoHS“  
Compliant

**NOTES:**

1. METAL SHELLS: STEEL; TIN PLATED
2. INSULATOR: PBT GF, UL 94 V-0; GREEN

THIS DRAWING MAY NOT BE COPIED OR REPRODUCED IN ANY WAY, AND MAY NOT BE PASSED ON TO A THIRD PARTY WITHOUT WRITTEN PERMISSION

OWNERSHIP AND COPYRIGHT OF CONEC GMBH

DO NOT ALTER CAD DRAWING BY HAND

rev.	description	date	name

tolerance		scale:		material:	
1998	date	2:1 (5:1)		SEE NOTES	
drawn	name				
11.09.	Barcinski				
appd.	Mickenbecker				
11.09.					
norm					
d-old					

title:		dwg no:	
D-SUB COMBINATION MALE		13K2119A	
3W3P		[CAD/ REL.13	
WITHOUT CONTACTS		DIN-A	
		3	
		sh: 1/1	

product no: 3003W3PXX99A10X

