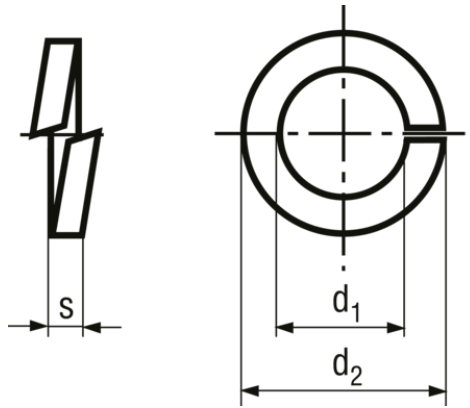


Split spring lock washers for screws with cylindrical head

BN 5258



Material	Stainless steel
Material type	A2
Standard	DIN 7980 (Standard withdrawn), ~ČSN 021740

Article no	for thread	d1 min	d1 max	d2 max	s
3062113	M3	3.1	3.4	5.6	1
3062114	M4	4.1	4.4	7	1.2
3062115	M5	5.1	5.4	8.8	1.6
3062116	M6	6.1	6.5	9.9	1.6
3062117	M8	8.1	8.5	12.7	2
3062118	M10	10.2	10.7	16	2.5
3062119	M12	12.2	12.7	18	2.5
3062120	M16	16.2	17	24.4	3.5
3062121	M20	20.2	21.2	30.6	4.5