



Power Inductors General Application

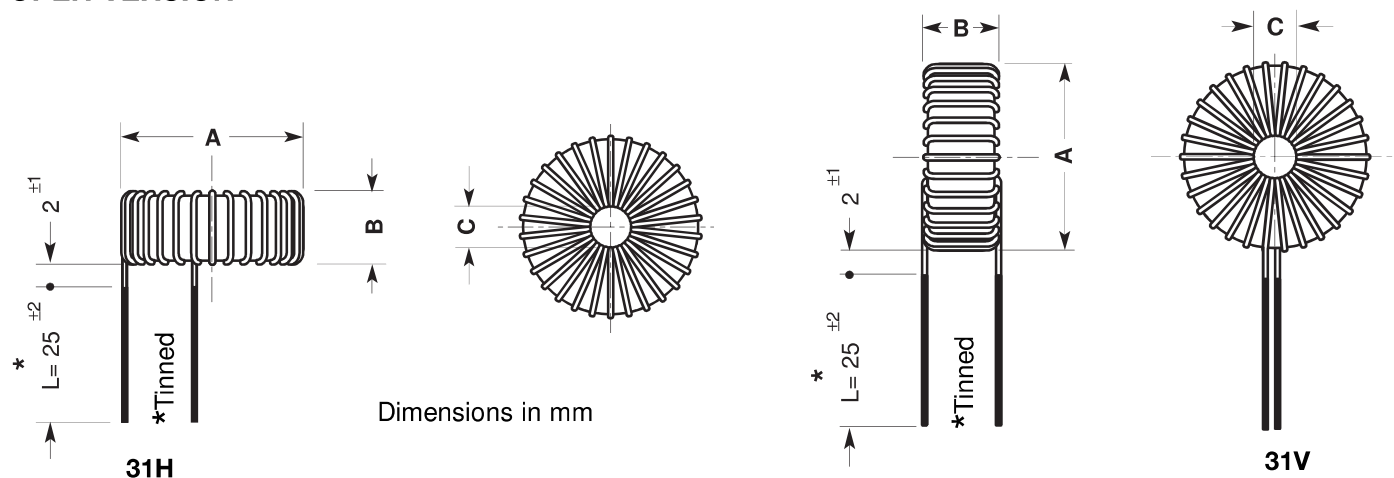
These chokes are made with iron powder core, having the permeability and magnetic saturation characteristics required for noise suppression in light intensity control of electric bulbs and in power control of small motors in domestic appliances. Such control devices are usually called dimmers. A capacitors value for each inductance is suggested as reference in standard dimmer circuits.

The chokes are designed and tested in accordance with EN 138100; EN 60939-1.

Technical Data

Rated current:	at 250V-50 Hz; +60°C a.t.	Inductance tolerance:	±20%
Rated inductance:	at +20°C; 10 kHz, 0.1 mA	Climatic category:	DIN GKF (-40 to +125°C)
		Packing:	100 pcs

OPEN VERSION



Stock Types

Toroid Core

Horizontal mounting	Vertical mounting	Power range W	Rated inductance mH	Rated current A	Suppression capacitor nF	DCR typical mΩ	Dimensions - mm			Approx. weight g	Approv.
							A max.	B max.	C min.		
31H13 07 00	31V13 07 00	30-150	1.9	0.7	33	980	16	13	4.5	8	⚠
31H17 09 00	31V17 09 00	30-200	2.1	0.9	33	820	20	9.5	5	10	
31H17D 14 00	31V17D 14 00	30-300	1.5	1.4	68	450	20	12	5	13	
31H20 15 00	31V20 15 00	30-300	1.8	1.5	68	550	23	12	9	20	
31H24 14 00	31V24 14 00	30-300	2.1	1.4	68	330	29	13	8	30	⚠
31H33 18 00	31V33 18 00	30-400	2.3	1.8	100	380	37	12	12	42	
31H24 23 00	31V24 23 00	60-500	1.3	2.3	100	230	28.5	12.5	8	30	
31H32 23 00	31V32 23 00	60-500	2.2	2.3	100	280	38	12	11	49	
31H33 32 00	31V33 32 00	150-700	2	3.2	150	215	39	16	11	70	⚠
31H38 45 00	31V38 45 00	200-1000	1.3	4.5	220	140	44	18	15	96	
31H38 A8 00	31V38 A8 00	350-4000	0.4	18	470	30	47	30	9	200	

For other technical specifications please visit the internet site www.radiohm.com >>Products >>Chokes & Transformers >>Power Inductors Universal Application