



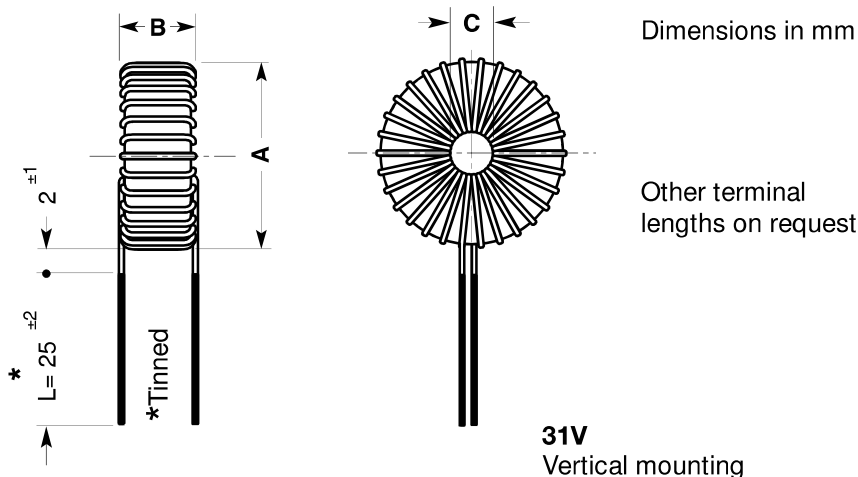
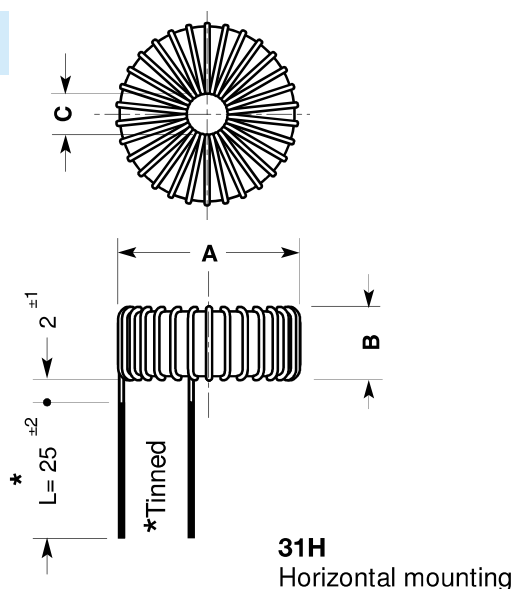
OPEN VERSION

Voltage 250 Vac
Power 100 to 4000 W

These chokes are fitted with toroid core in iron powder having the permeability and magnetic saturation characteristic required for noise suppression in light intensity control of electric bulbs and in power control of small motors in domestic appliances. Such control devices are usually called dimmers.

A capacitor value for each inductance is suggested as reference for use in standard dimmer circuits.

Dimensions in mm



Other terminal lengths on request

Technical Data

Power range:	the values give power limits for connectable electrical bulb
Rated inductance:	at +20°C and 10 kHz, 0.1 mA.
Inductance tolerance:	Standard ± 20% - optional ± 10%
Rated current:	referred to 250 V-50 Hz and +60°C ambient temperature
DC resistance:	at +20°C
Climatic category:	DIN GKC (-40 to +125°C; humidity cat. C)

The chokes are designed and tested in accordance with EN 138100; EN 60938-1

See types p. 51



OPEN VERSION

Voltage 250 Vac
Power 100 to 4000 W

TYPES

Horizontal	Vertical	Power range W	Rated inductance mH	Rated current A	Suppression capacitor nF	DC resistance (typical) mΩ	Dimensions - mm			Approx. weight g	Approval
Code	Code						A max.	B max.	C min.		
31H13R05 00	31V13R 05 00	30-100	1.7	0.5	33	1340	16	8	4.5	4	
31H13 07 00	31V13 07 00	30-150	1.9	0.7	33	980	16	13	4.5	8	
31H17 09 00	31V17 09 00	30-200	2.1	0.9	33	820	20	9.5	5	10	
31H17D14 00	31V17D 14 00	30-300	1.5	1.4	68	450	20	12	5	13	
31H20 15 00	31V20 15 00	30-300	1.8	1.5	68	550	23	12	9	20	
31H24 14 00	31V24 14 00	30-300	2.1	1.4	68	330	29	13	8	30	
31H33 18 00	31V33 18 00	30-400	2.3	1.8	100	380	37	12	12	42	
31H24 23 00	31V24 23 00	60-500	1.3	2.3	100	230	28.5	12.5	8	30	
31H27 23 00	31V27 23 00	60-500	1.3	2.3	100	210	32	12.5	7	40	
31H32 23 00	31V32 23 00	60-500	2.2	2.3	100	280	38	12	11	49	
31H33 23 00	31V33 23 00	60-500	2.2	2.3	100	280	38	11.5	13	45	
31H32 32 00	31V32 32 00	150-700	1.5	3.2	150	185	37	14	11	50	
31H33 32 00	31V33 32 00	150-700	2.0	3.2	150	215	39	16	11	70	
31H38 45 00	31V38 45 00	200-1000	1.3	4.5	220	140	44	18	15	96	
31H38 A8 00	31V38 A8 00	350-4000	0.4	18	470	30	47	30	9	200	

Approval VDE

The table shows the standard types. Other types can be supplied according to customer's specifications.

See technical data p. 50