



Current-compensated Noise Suppression Chokes

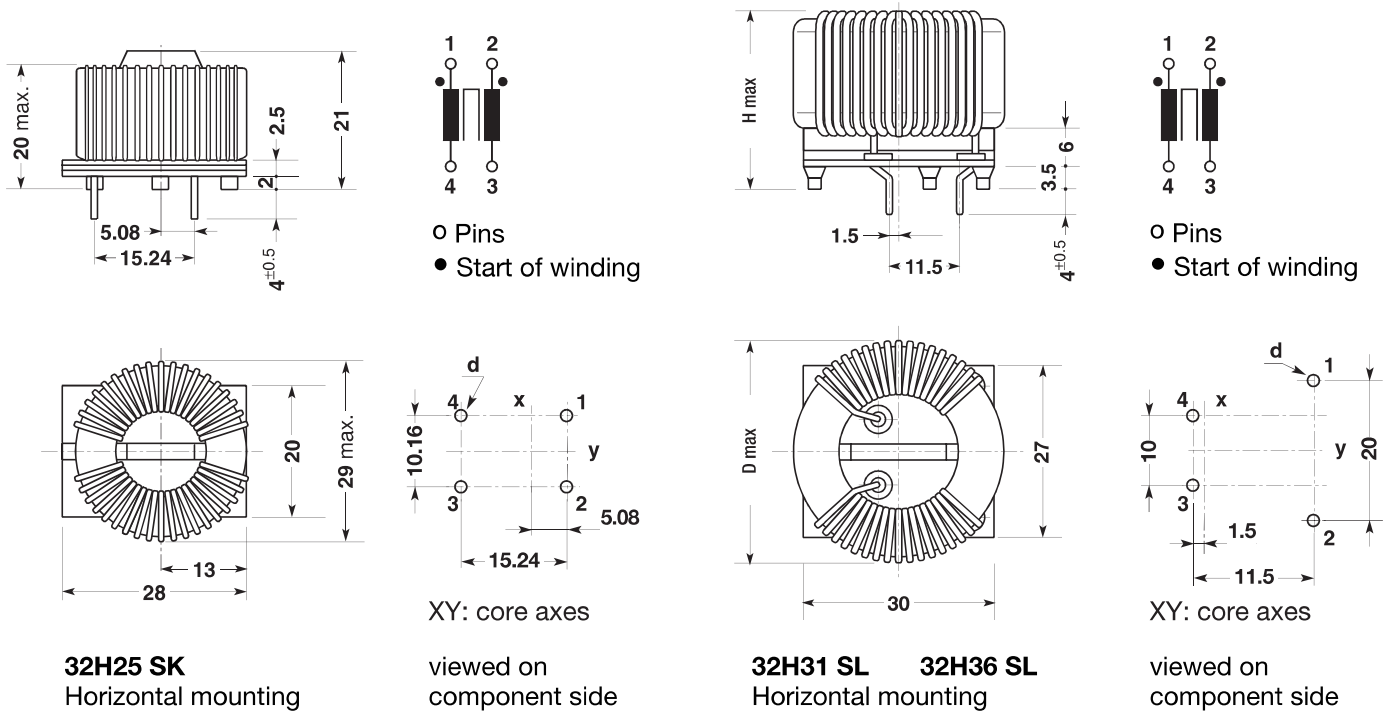
TYPES
32H25 SK
32H31 SL
32H36 SL

SOCKET VERSION Horizontal Mounting

Voltage 250 Vac
Current 10 to 16 A

These chokes are fitted with high-permeability toroid core (ferrite). They are mainly used as power line filter in devices equipped with switched-mode power supplies, and in filters designed to prevent both the spread of parasitic noise within the device, and the effects of line noise on the device itself.

Dimensions in mm
Pins are tinned



TYPES

Code	Rated current per winding A	Rated inductance per winding mH	DC resistance per winding (typical) mΩ	H mm	D mm	d mm	Approx. weight g
32H25 A0 00 SK	10	1.5	10	28	37	1.6	24
32H31 A0 00 SL	10	3.9	18	28	37	1.6	46
32H25 A6 00 SK	16	0.68	4	28	37	1.7	29
32H31 A6 01 SL	16	1.2	9	28	37	2	48
32H36 A0 00 SL	10	1.8	14	30	43	1.5	57
32H36 A6 00 SL	16	2.7	15	30	43	2	62

The chokes are designed and tested in accordance with EN 138100; EN 60938-1
The socket is of flame-retardant plastic material in accordance with UL 94V-0

See technical data p. 20