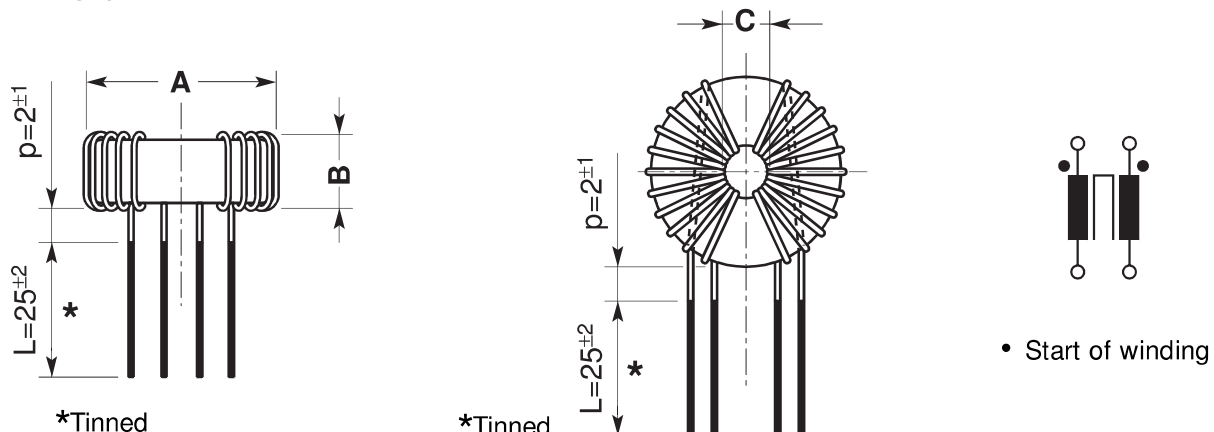




Current-compensated Noise Suppression Chokes

OPEN VERSION



32H Packing: 100 pcs

32V Packing: 100 pcs

Dimensions in mm

Stock Types

Toroid Core

| Horizontal mounting | Vertical mounting | Rated current A | Rated inductance mH | DCR typical mΩ | Dimensions - mm | | | Approx. weight g | Approval |
|---------------------|-------------------|--------------------|------------------------|-------------------|-----------------|--------|--------|---------------------|----------|
| | | | | | A max. | B max. | C min. | | |
| 32H12 10 00 | 32V12 10 00 | 1 | 6.8 | 400 | 17 | 7.5 | 5 | 5 | |
| 32H12 20 00 | 32V12 20 00 | 2 | 3.9 | 160 | | | | | |
| 32H12 25 00 | 32V12 25 00 | 2.5 | 2.7 | 100 | | | | | |
| 32H16 05 00 | 32V16 05 00 | 0.5 | 27 | 1200 | 18.5 | 9 | 6 | 7 | |
| 32H16 10 00 | 32V16 10 00 | 1 | 10 | 450 | | | | | |
| 32H16 30 00 | 32V16 30 00 | 3 | 1.2 | 70 | | | | | |
| 32H23 10 00 | 32V23 10 00 | 1 | 27 | 600 | 24.6 | 9.6 | 10.8 | 10 | |
| 32H23 20 00 | 32V23 20 00 | 2 | 5.6 | 170 | | | | | |
| 32H25 10 00 | 32V25 10 00 | 1 | 47 | 660 | 30 | 12.5 | 11.5 | 18 | |
| 32H25 20 00 | 32V25 20 00 | 2 | 6.8 | 120 | | | | | |
| 32H25 60 00 | 32V25 60 00 | 6 | 1.8 | 20 | | | | | |
| 32H31 40 01 | 32V31 40 01 | 4 | 6.8 | 60 | 37 | 17 | 14 | 40 | |
| 32H31 80 01 | 32V31 80 01 | 8 | 2.7 | 21 | | | | | |
| 32H31 A0 01 | 32V31 A0 01 | 10 | 1.8 | 12 | | | | | |
| 32H36 20 00 | 32V36 20 00 | 2 | 18 | 300 | 39 | 18 | 20 | 50 | |
| 32H36 60 00 | 32V36 60 00 | 6 | 3.9 | 41 | | | | | |
| 32H36 80 00 | 32V36 80 00 | 8 | 2.7 | 22 | | | | | |
| 32H36 A0 00 | 32V36 A0 00 | 10 | 1.8 | 14 | | | | | |
| 32H36 A6 00 | 32V36 A6 00 | 16 | 2.7 | 14 | 43 | 22 | 14 | 54 | |
| 32H36 B0 00 | 32V36 B0 00 | 20 | 1.5 | 8 | 44 | 23 | 11 | 57 | |

Technical data and applications p. 2.

Values per winding

For other technical specifications please visit the internet site
www.radiohm.com >>Products >>Chokes & Transformers >>Current Compensated Chokes